

4

3

2

1

THIS DRAWING IS UNPUBLISHED.

RELEASED FOR PUBLICATION

20

© COPYRIGHT 20

BY -

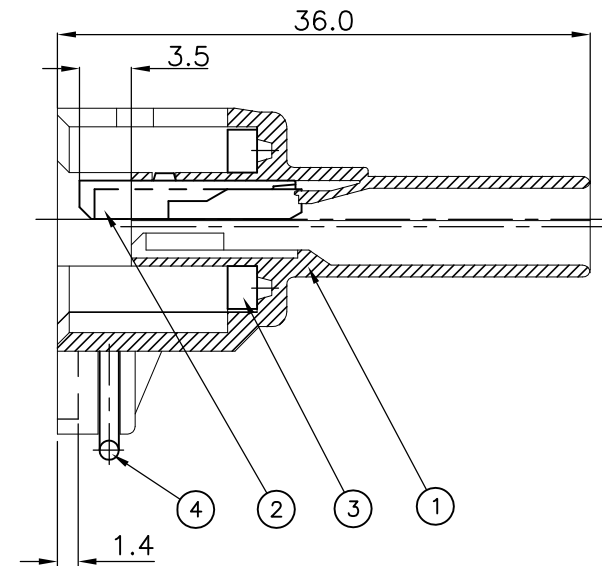
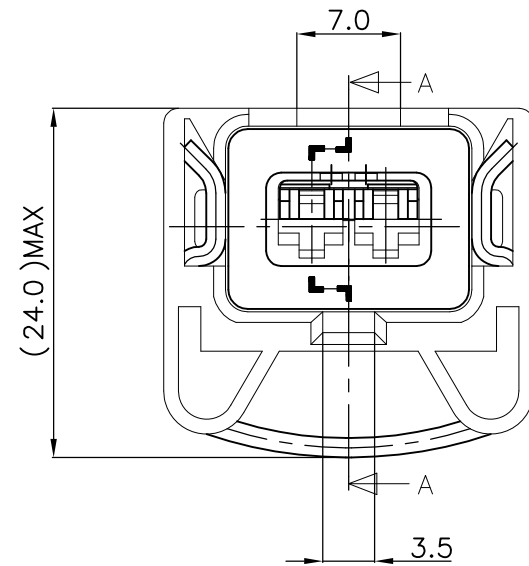
ALL RIGHTS RESERVED.

LOC DS

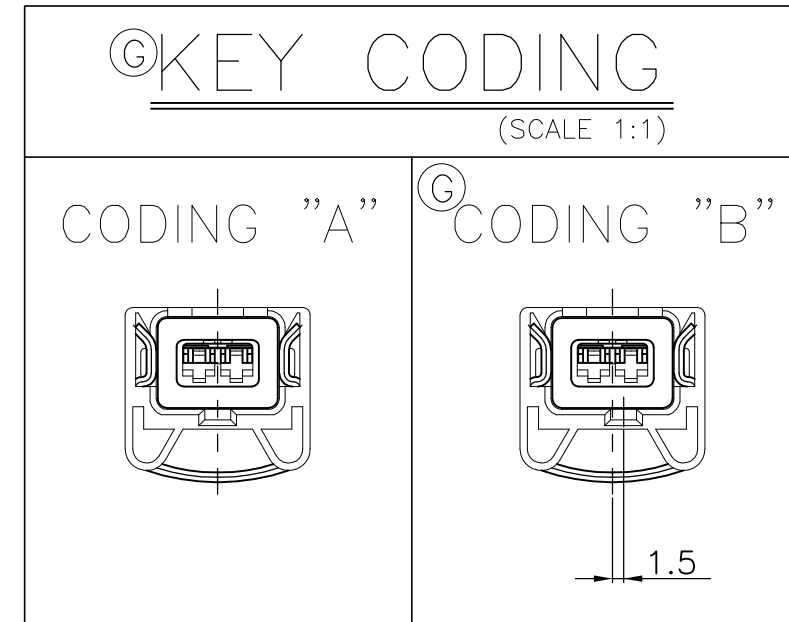
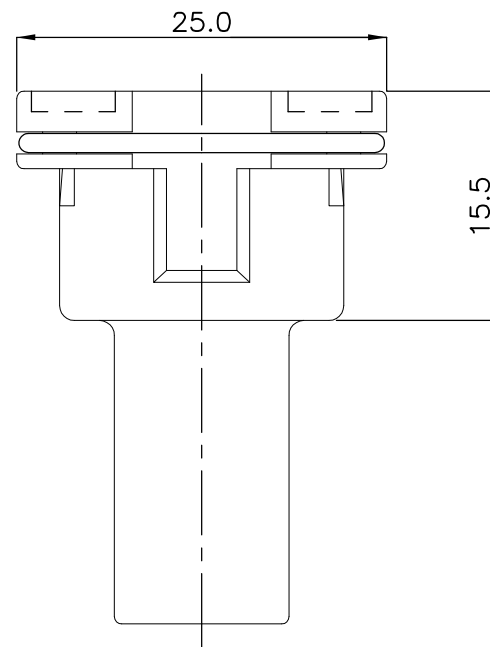
DIST -

REVISIONS

P	LTR	DESCRIPTION	DATE	DWN	APVD
E		REVISED(FC00-0044-01)	'01 24/APR	YD	CS
F		REVISED(FC00-0138-02)	'02 22/NOV	YD	CS
G		REVISED(ECR-10-020219)	13.MAY'11	IS	HG



SECTION A-A



* NOTES *

- 1. APPLICABLE CONTACT P/NO: 927770 / 927766
- 2. APPLICABLE WIRE SEAL P/NO: 828904 / 828905 / 368064

NO	COLOR	MATERIAL	DESCRIPTION	QTY						
4		SUS 304	SPRING	1	1	1	1	1	1	1
3	ORANGE	SILICONE	SEAL RUBBER	1	1	1	1	1	1	1
2	YELLOW	PBT	SPACER	1	1	1	1	1	1	1
1	DARK GRAY	PBT-GF30	JPT 2P HSG DG "B"	1						
1	DARK GRAY	PBT-GF30	JPT 2P HSG DG		1					
1	BROWN	PBT-GF30	JPT 2P HSG BR			1				
1	GREEN	PBT-GF30	JPT 2P HSG GR				1			
1	BLUE	PBT-GF30	JPT 2P HSG BL					1		
1	BLACK	PBT-GF30	JPT 2P HSG BK						1	

THIS DRAWING IS A CONTROLLED DOCUMENT.		DWN IS WOOD	TE Connectivity			
DIMENSIONS: mm		CHK KT LIM				
TOLERANCES UNLESS OTHERWISE SPECIFIED: 0<XX<10 ± 0.2 10<XX<30 ± 0.25 30<XX<100 ± 0.3 ANGLES ± 3°		APVD HG CHD	NAME			
MATERIAL -		PRODUCT SPEC 108-61000	JPT 2P HSG ASS'Y (STANDARD)			
FINISH -		APPLICATION SPEC 114-18018	SIZE	CAGE CODE	DRAWING NO	RESTRICTED TO
		WEIGHT 4.70g	A3	00779	C=85202	-
CUSTOMER DRAWING			SCALE 2:1	SHEET 1 OF 1	REV G	

Mouser Electronics

Authorized Distributor

Click to View Pricing, Inventory, Delivery & Lifecycle Information:

[TE Connectivity:](#)

[85202-1](#)