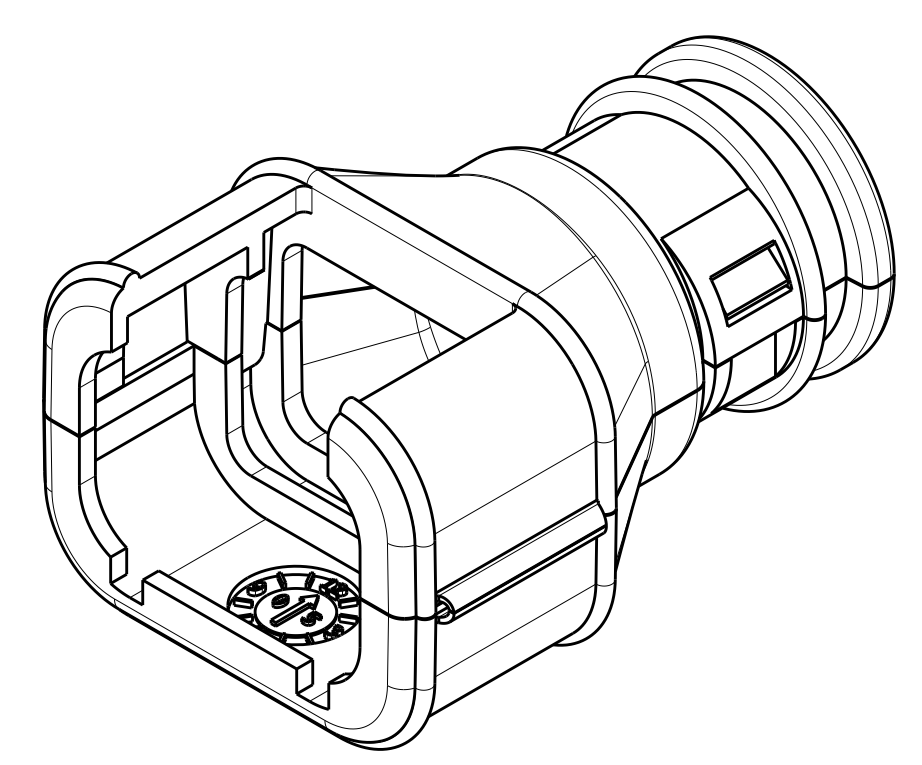
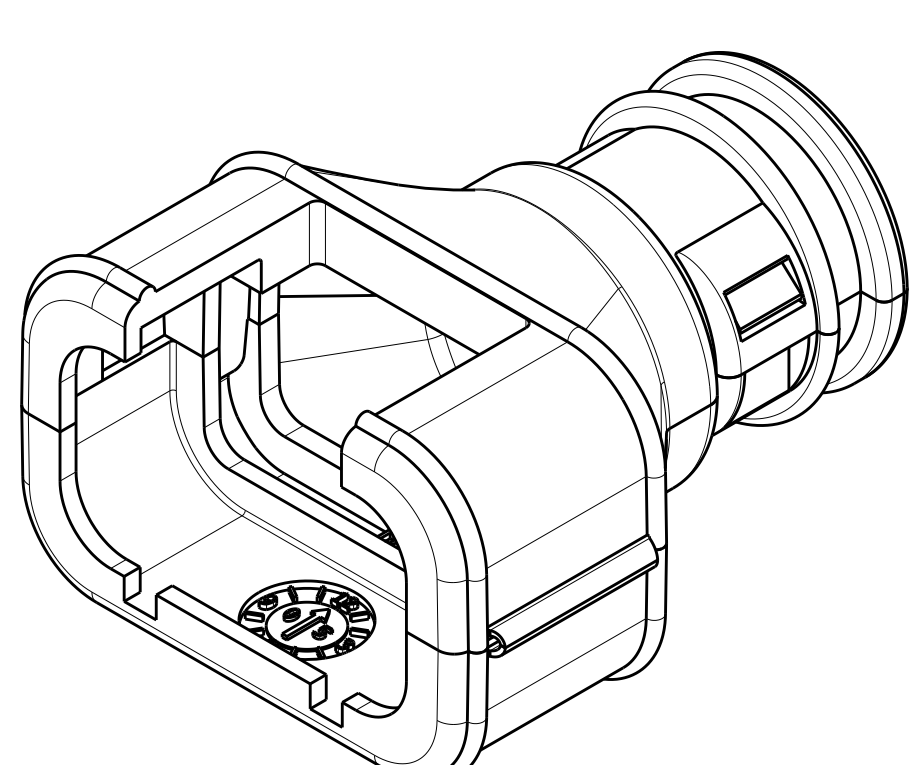


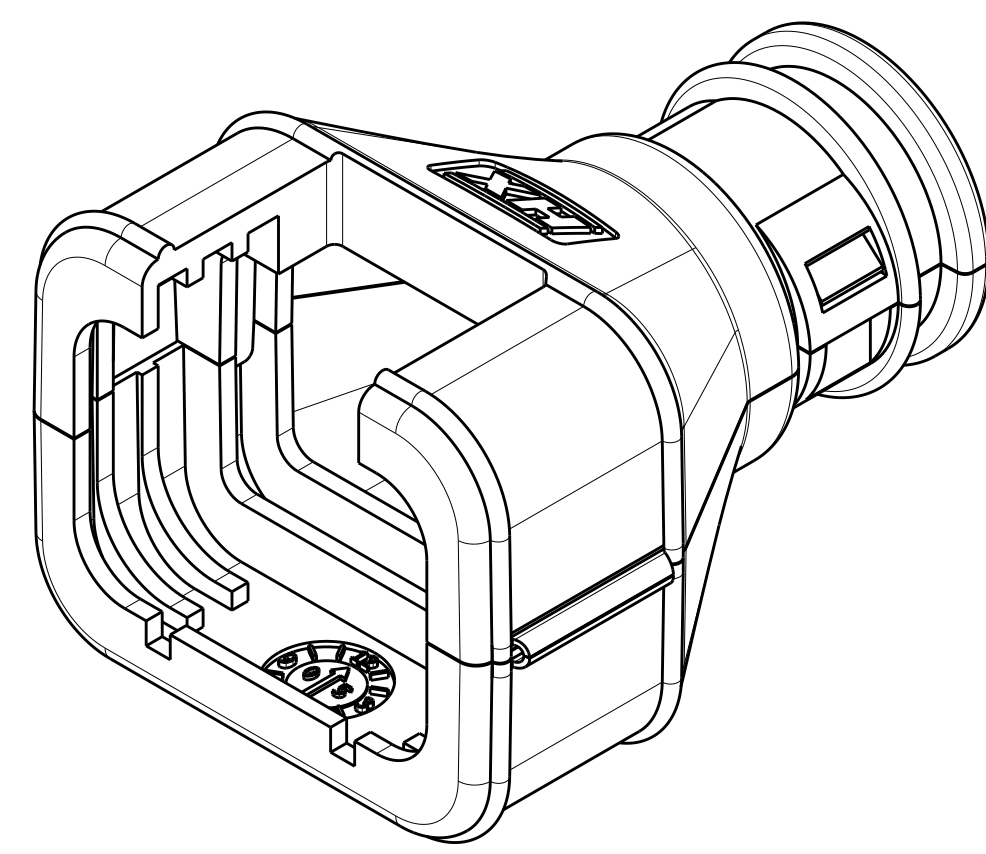
REVISIONS				
P.	LTN.	DESCRIPTION	DATE	APPV.
C		REVISED PER ECO-11-017736	30SEP2011	DD RB
C1		REVISED PER ECO-14-013809	16SEP2014	DD RB
D		REV PER ECO-16-011480	02AUG2016	JM RB
E		REV PER ECO-16-014045	13SEP2016	JM RB



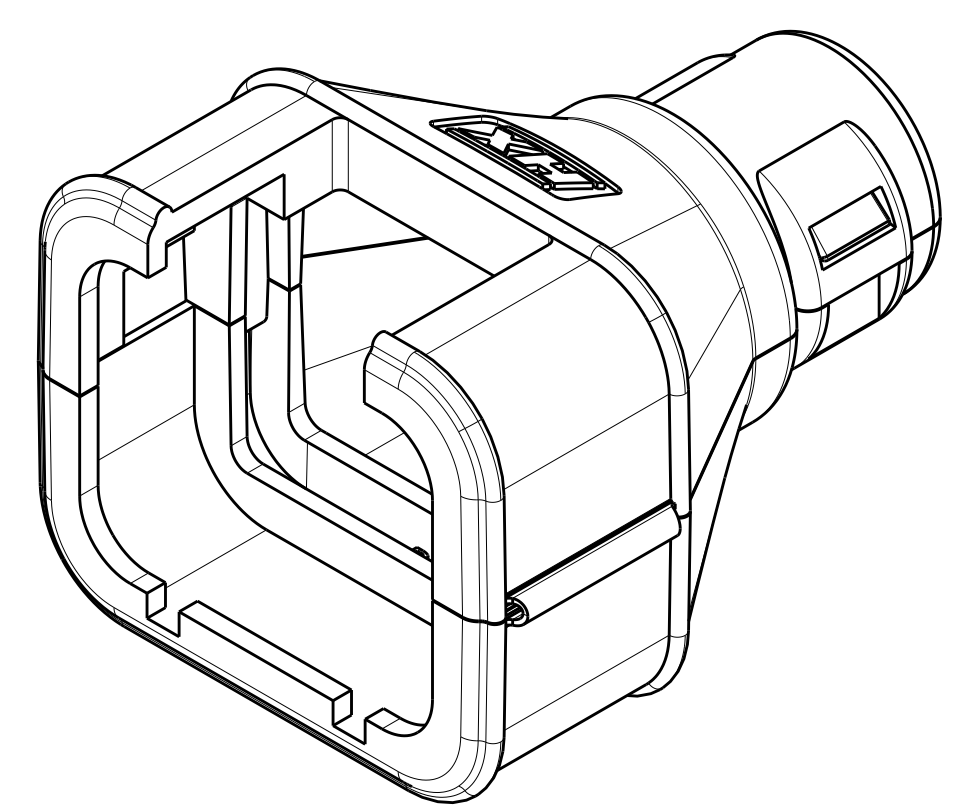
2035047-1



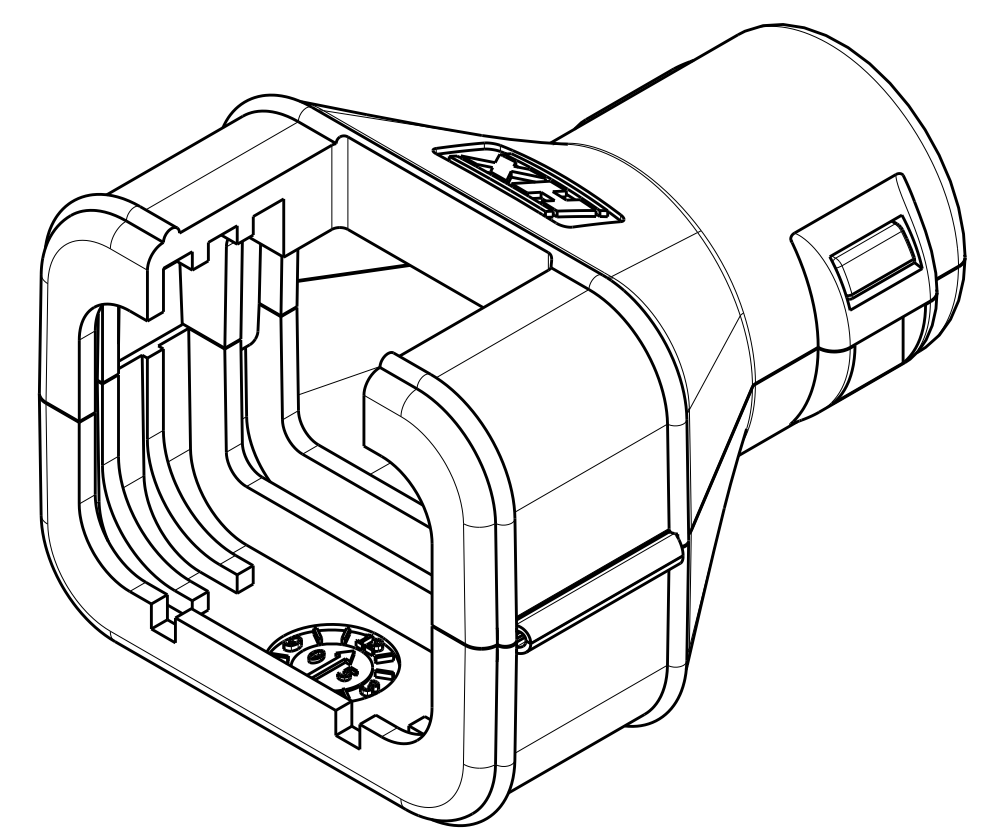
2035047-2



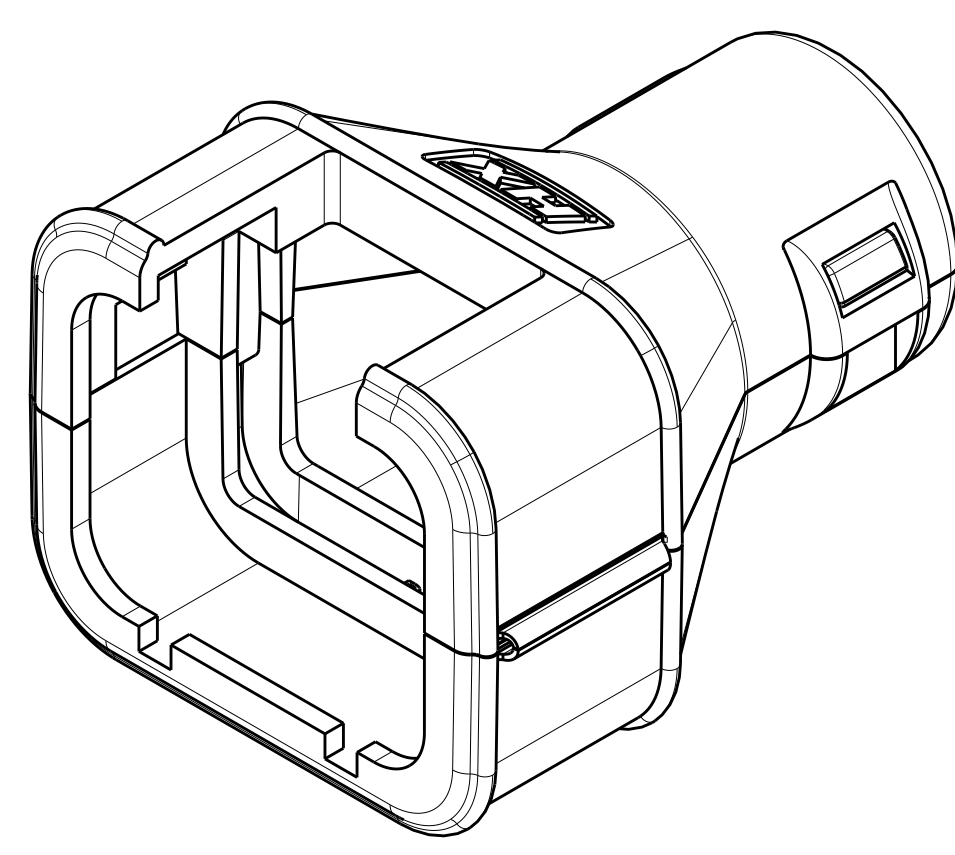
2035047-3



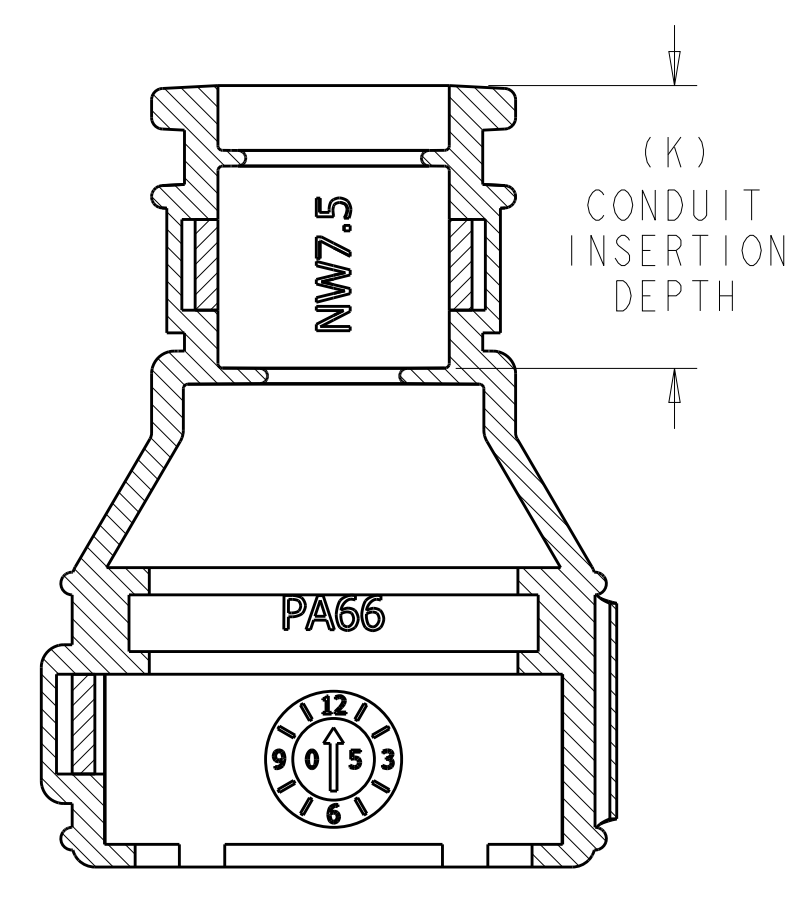
2035047-4



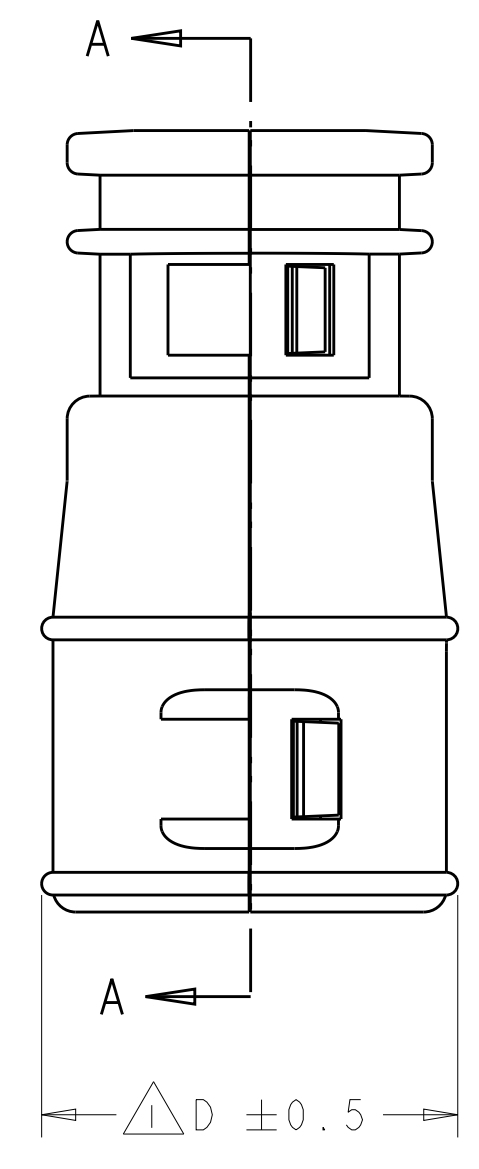
2035047-5



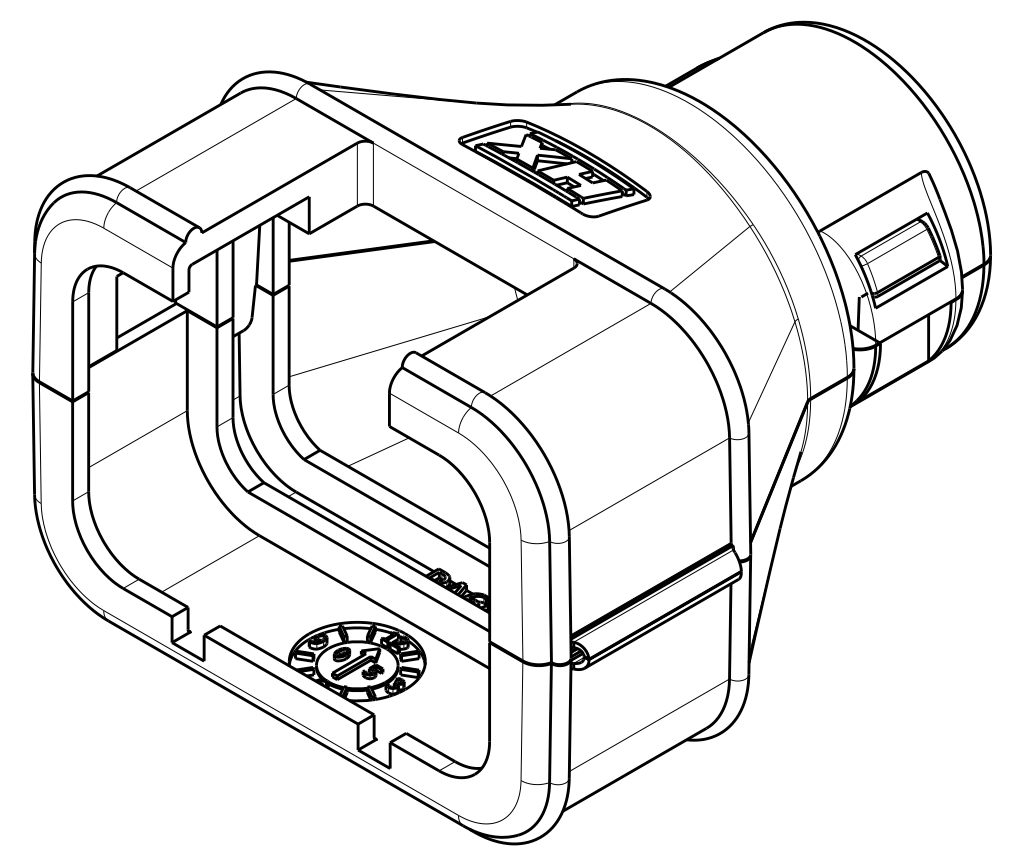
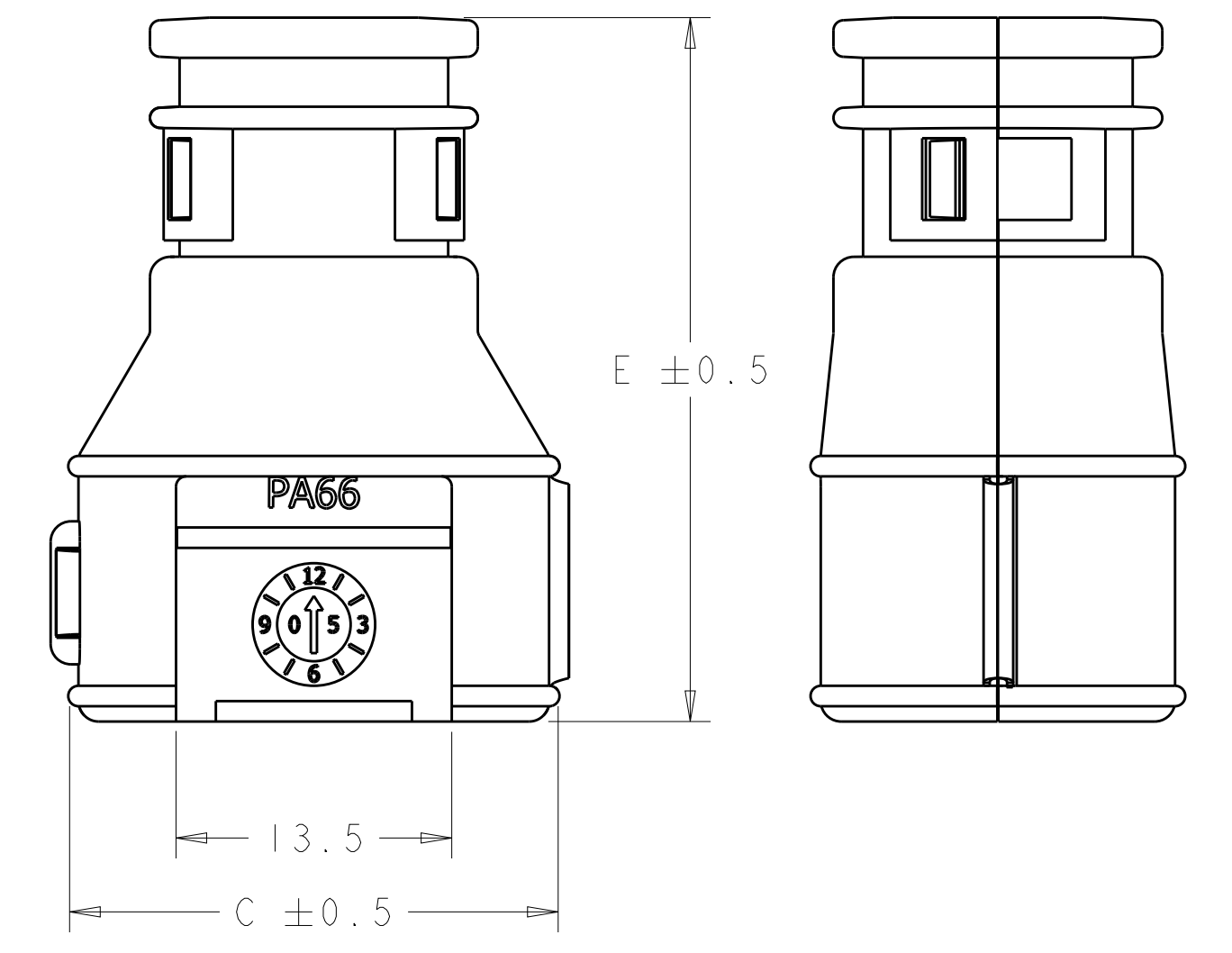
2035047-6



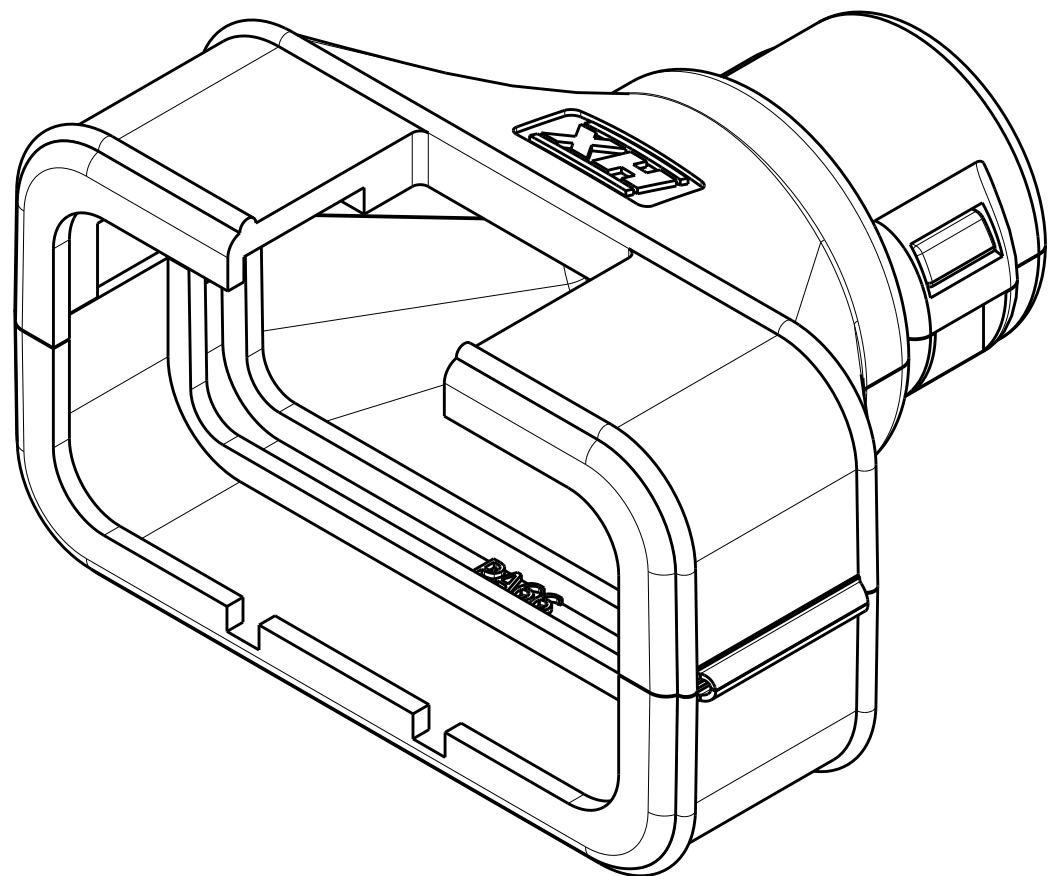
SECTION A-A



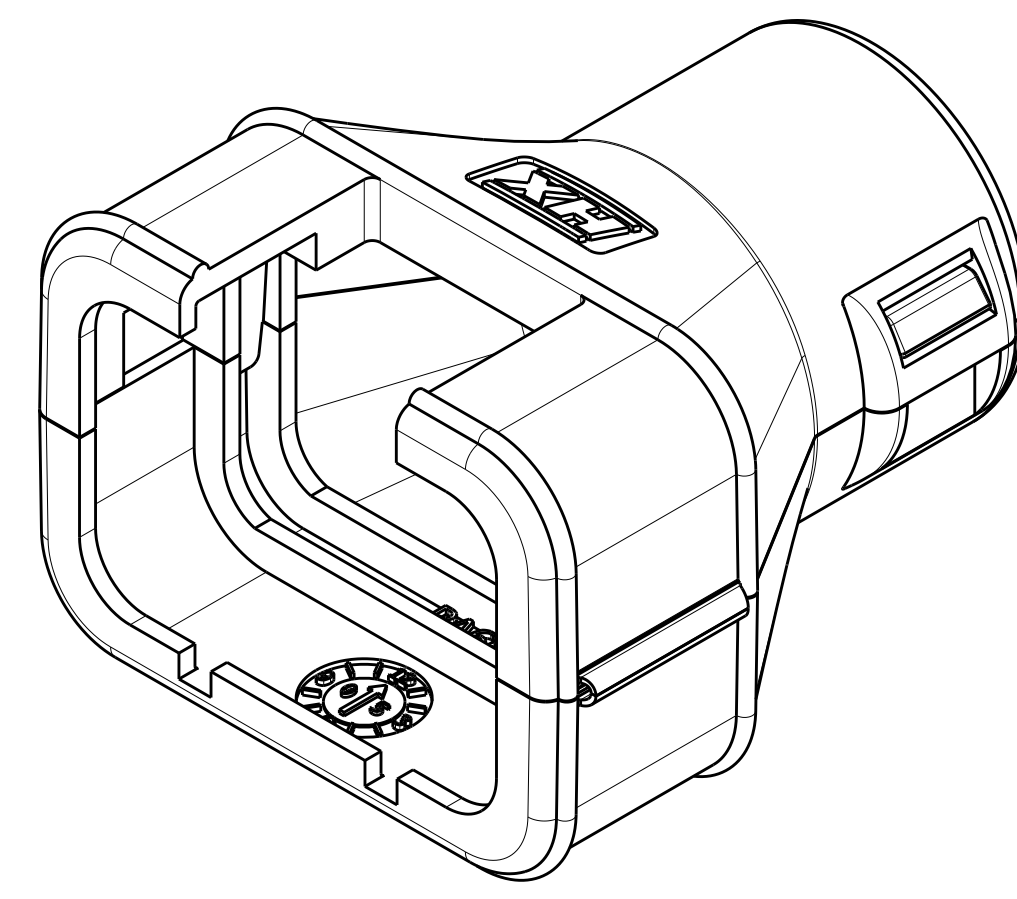
△ DIMENSION TO BE MEASURED WHEN THE COVER IS CLOSED.  
 △ COLOR: BLACK



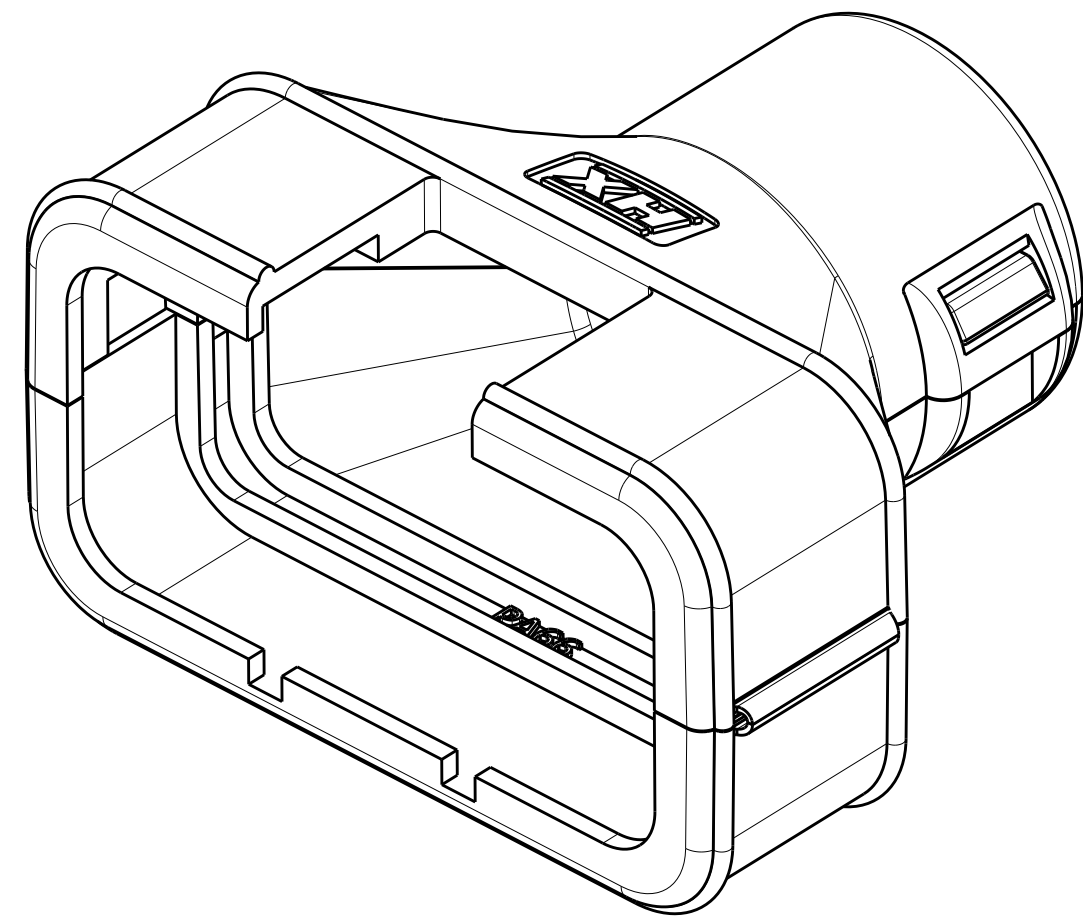
2035047-7



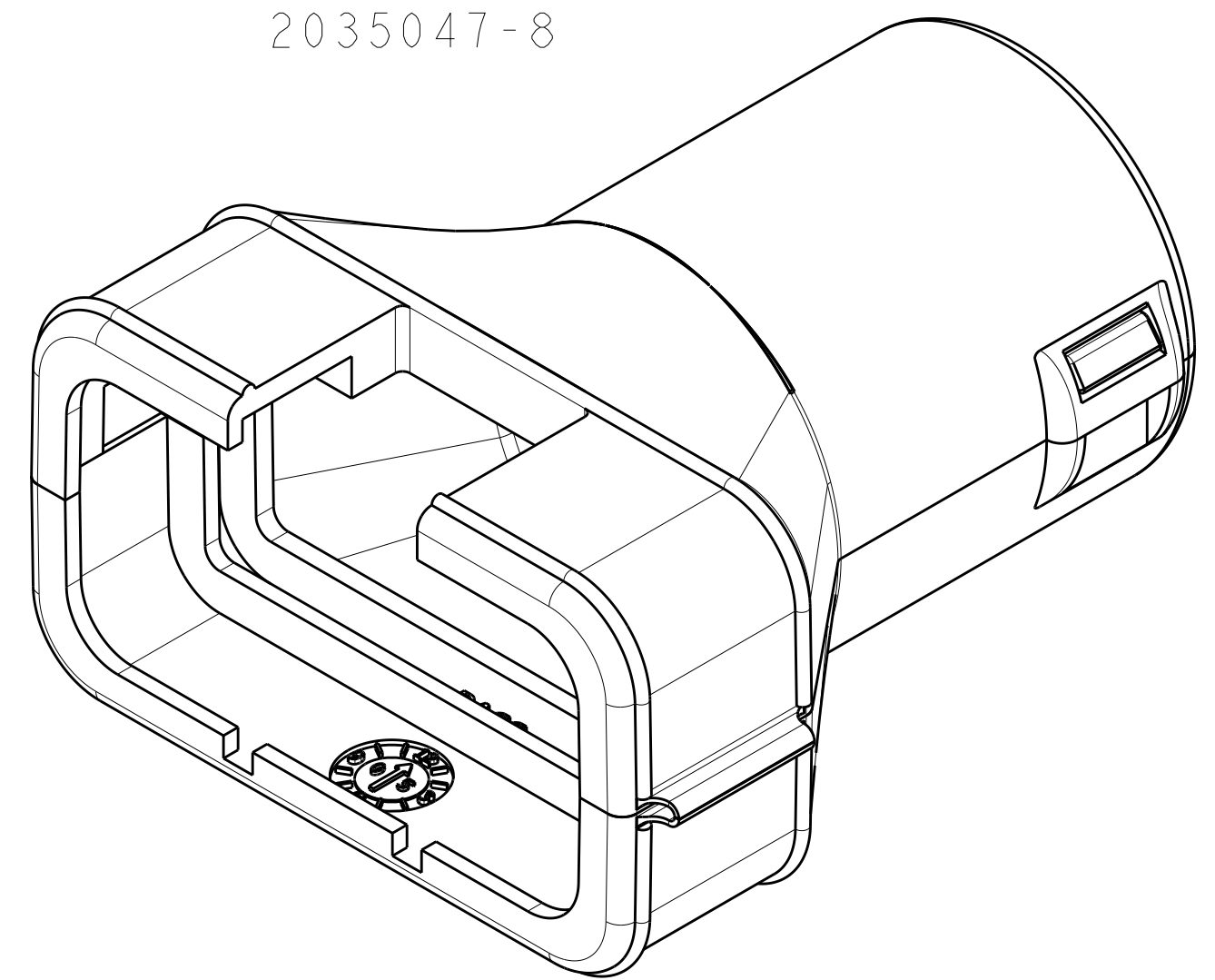
2035047-8



2035047-9



1-2035047-0



1-2035047-1

TE PART NUMBER	ASSY POSN	NOMINAL CONDUIT SIZE		NOMINAL DIMENSIONS			
		NC	NW	C	D	E	(K)
2035047-1	2	08	7.5	24.0	18.5	34.5	12.5
2035047-2	3	08	7.5	28.5	18.5	34.5	12.5
2035047-3	4	08	7.5	29.0	23.5	38.5	12.5
2035047-4	6	08	7.5	28.7	23.5	36.8	11.1
2035047-5	4	12	10	29.0	23.5	36.8	10.7
2035047-6	6	12	10	28.7	23.5	36.8	10.7
2035047-7	8	12	10	33.0	23.5	36.8	10.7
2035047-8	12	12	10	42.0	23.5	36.8	10.7
2035047-9	8	16	13	33.0	23.5	36.8	10.7
1-2035047-0	12	16	13	42.0	23.5	36.8	10.7
1-2035047-1	12	20	17	41.7	23.5	48.0	12.1

THIS DRAWING IS A CONTROLLED DOCUMENT.

DIMENSIONS: mm  
 TOLERANCES UNLESS OTHERWISE SPECIFIED:  
 0 PLC ±0.6  
 1 PLC ±0.6  
 2 PLC ±0.6  
 3 PLC ±0.6  
 4 PLC ±0.6  
 ANGLES ±0.5  
 FINISH -

MATERIAL: NYLON 6/6  
 WEIGHT: -  
 CUSTOMER DRAWING

DWN: J. MARKEY 11APR2008  
 CHK: J. MARKEY 11APR2008  
 APVD: J. MARKEY 11APR2008

**STE** TE Connectivity  
 NAME: BACKSHELL, AMPSEAL 16, 0 DEGREE EXIT  
 SIZE: A1  
 CAGE CODE: 100779  
 DRAWING NO: 2035047  
 SCALE: 3:1  
 SHEET 1 OF 1  
 REV E

# Mouser Electronics

Authorized Distributor

Click to View Pricing, Inventory, Delivery & Lifecycle Information:

[TE Connectivity:](#)

[2035047-8](#)