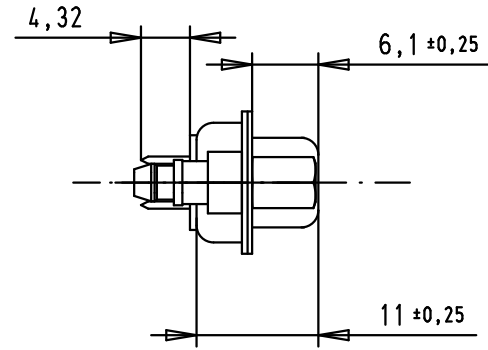
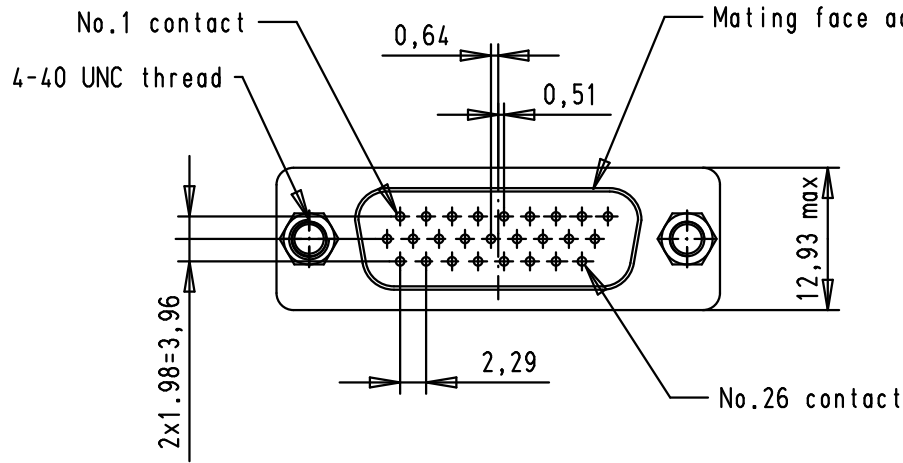
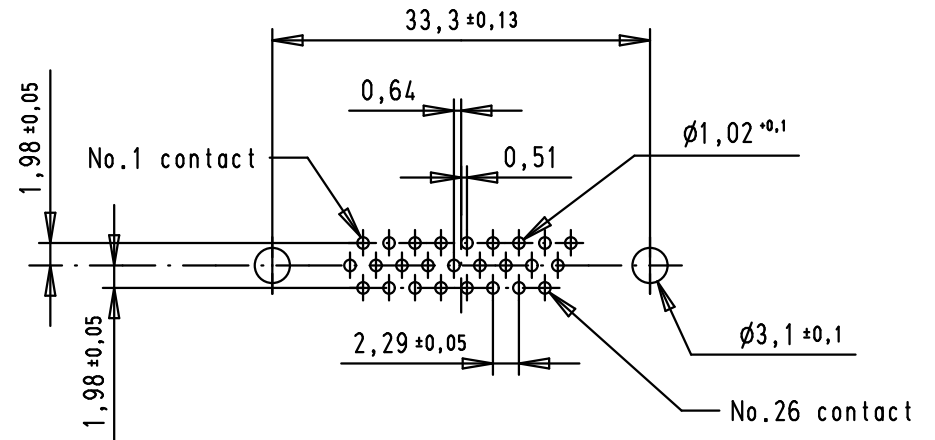
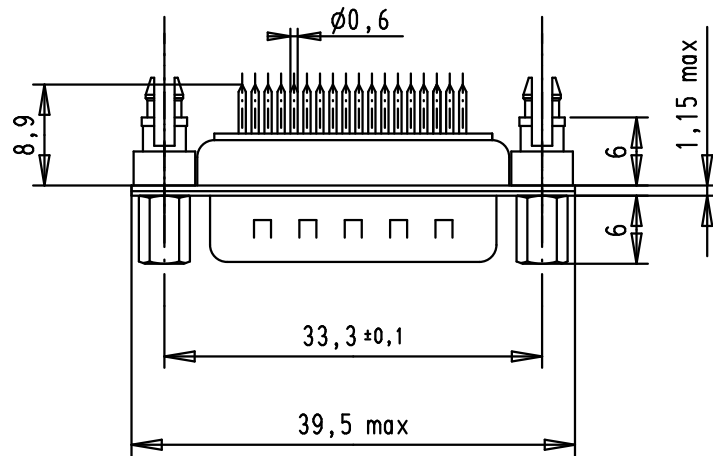


5 4 3 2 1



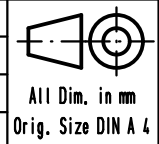
Printed board layout, component side
PCB thickness 1,6mm



A

09562615713	0.76 μm Au
09562617713	3
Part number	Performance level

				Dat.	Name
36182	13/10/10	BH	Detail.	03/06/03	S.H.
32735	18/03/05	AL	Insp.		
32326	03/01/05	TR	Stand.		
31874	05/03/04	A.C.			
31503	03/06/03	S.H.			
Mod.	Dat.	Name	HARTING EUROL F-95972 Paris		



Dsub, 26 poles, male, straight solder pins, board locks and screw locks shell with dimples	Maßstab/ Scale 1.5:1
TB 0956261x713	Blatt/ Page 1 / 1
Sub.	

Mouser Electronics

Authorized Distributor

Click to View Pricing, Inventory, Delivery & Lifecycle Information:

[HARTING:](#)

[09562615713](#) [09562617713](#)