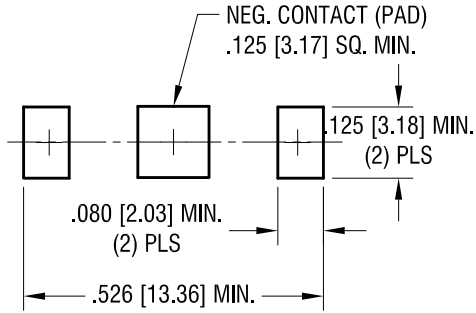


THIS DOCUMENT IS THE PROPERTY OF KEYSTONE ELECTRONICS CORP. AND SHALL NOT BE REPRODUCED, DISTRIBUTED OR USED AS A BASIS FOR MANUFACTURE WITHOUT PRIOR WRITTEN PERMISSION FROM KEYSTONE ELECTRONICS CORP.

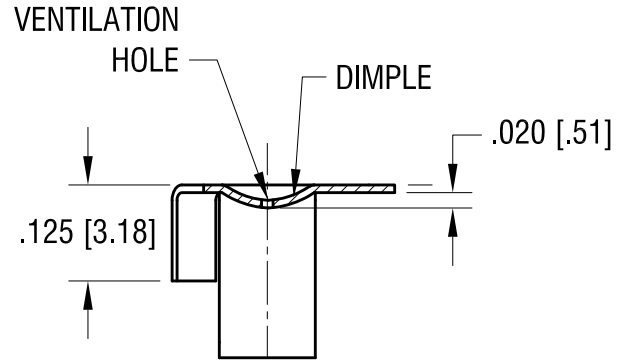
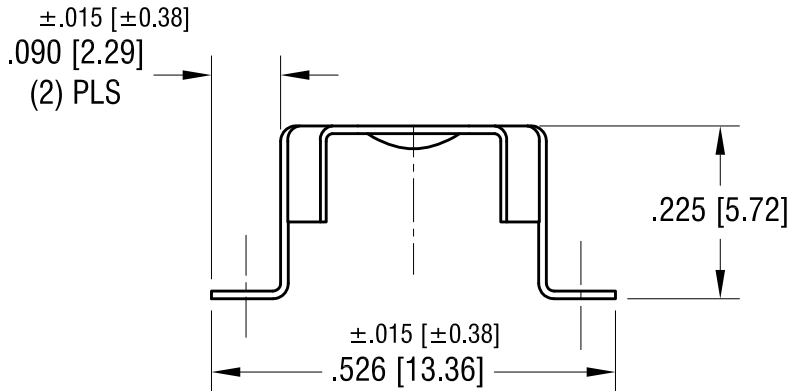
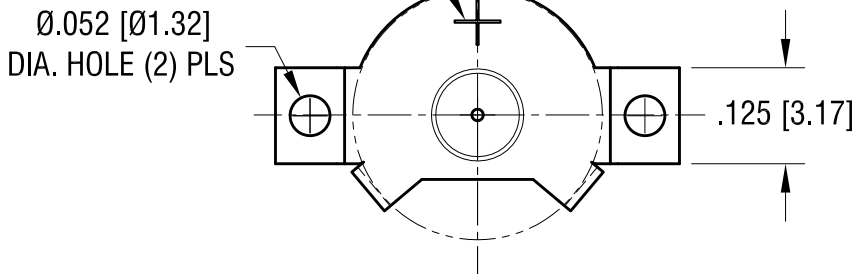
**MOUNTING PAD LAYOUT**



**ACTUAL SIZE**



STAMP (+)  
AS SHOWN



**KEYSTONE ELECTRONICS CORP.**

www.keyelco.com • ASTORIA, N.Y. 11105-2017 • Tel (718) 956-8900

PART NAME

SM HEARING AID BATTERY RETAINER (SIZE 13)

MATERIAL

.010 [0.25] TH'K PHOSPHOR BRONZE

FINISH

GOLD PLATE

DRN BY

NT

DATE

3.22.10

APP'D

LN

SCALE

4X

TOLERANCES

INCH [MM]

DECIMAL ±.005 [±0.13]

ANGULAR ± 1°

UNLESS OTHERWISE SPECIFIED

CODE

C

DWG NO.

2988

|          |                          |      |
|----------|--------------------------|------|
| 11.09.16 | CHANGE AS PER ECN 16-094 | B    |
| 7.31.14  | CHANGE AS PER ECN 14-082 | A    |
| DATE     | DESCRIPTION              | REV. |

# Mouser Electronics

Authorized Distributor

Click to View Pricing, Inventory, Delivery & Lifecycle Information:

[Keystone Electronics:](#)

[2988](#)