

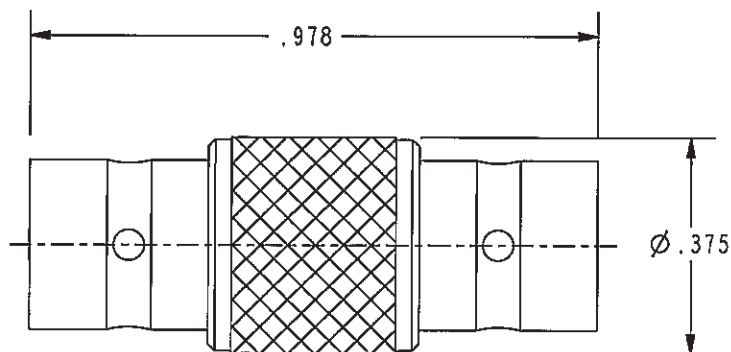
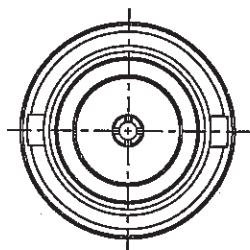
DATA CONTAINED IN THIS DOCUMENT IS PROPRIETARY TO TROMPETER ELECTRONICS INC. AND SHALL NOT BE DISCLOSED, COPIED OR USED FOR PROCUREMENT OR MANUFACTURE WITHOUT EXPRESS WRITTEN PERMISSION.

REVISIONS

REV	DESCRIPTIONS	DATE	APPROVED
A	PRODUCTION RELEASE	6/3/04	WJ



SCALE 1/1



RED INDICATES ORIGINAL

2. 75 Ω WITHIN SERIES MINI BNC FEED THRU RECEPTACLE

1. FINISH: BODY ASSEMBLY: TFS-1A (NICKEL)
CONTACT: TFS-1B (GOLD)

NOTES: UNLESS OTHERWISE SPECIFIED.

INTERPRET DRAWING PER MIL-STD-100. DIMENSIONS ARE IN INCHES AND INCLUDE FINISH THICKNESS UNLESS OTHERWISE SPECIFIED.		TOL: UNLESS SPECIFIED. .XX ± .02 .XXX ± .010 ANGLE ± 1°		 a cinch connectivity solutions brand	
DRN	AAH 5-24-04	MATERIAL:	TITLE:		
CHR	JS/Mash 6/1/04	FINISH:	UAD258		
QUALITY	WJ 6/3/04				
HANDL	WJ 6/3/04	SIZE	CAGE CODE	DRAWING NO.	REV.
APPROVED	WJ 6/3/04	A	14949	1-0619	A
PROJ & FILE NO.	1-0619	DO NOT SCALE DWG	SCALE	DATE	SHEET
NEXT ASSY			3/1	6/3/04	IC

Mouser Electronics

Authorized Distributor

Click to View Pricing, Inventory, Delivery & Lifecycle Information:

[Cinch Connectivity Solutions:](#)

[UAD258](#)