

THIS DRAWING IS UNPUBLISHED. RELEASED FOR PUBLICATION
 © COPYRIGHT BY TYCO ELECTRONICS CORPORATION. ALL RIGHTS RESERVED.

LOC ES	DIST 00	REVISIONS			
P	LTR	DESCRIPTION	DATE	DWN	APVD
	A	ADDED THE NEW DASH NUMBER -2	26SEP2013	ML	SZ

R0.50 MAX PERMITTED ON ALL CORNERS EXCEPT WHERE SHOWN

$\phi 7.40 \pm 0.08$
 $\phi \phi 0.10$ (M) D (M)

$\phi 5.40 \pm 0.08$
 $\phi \phi 0.10$ (M) C A B (S)
 -D-

NO BREAKOUT PERMITTED

MFG HOLE OPTIONAL

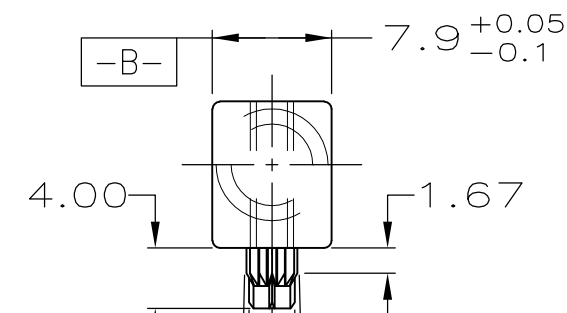
- 1 MATERIAL: ZINC ALLOY DIE CASTING, ZAMAK 3.
- 2 SURFACE FINISH: CHROMATE CONVERSION COATING. (ROHS COMPATIBLE).

9.70 ± 0.08

26.70

5.50

2.82 REF

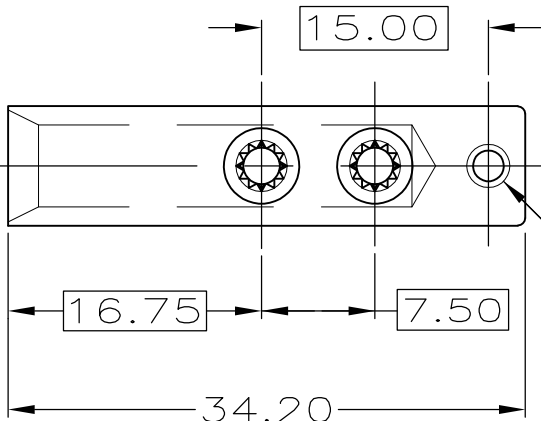


ϕ OF -B-
 3.025 ± 0.10 2 PLC
 $\phi 3.375 \pm 0.08$
 $\phi \phi 0.10$ (S) A B (S) C

$\phi 3.175 \pm 0.08$ DRILLED HOLE 3 PLC
 $\phi \phi 0.15$ (M) X Y
 $\phi \phi 0.08$ (M)

THREAD TYPE
 $\phi \phi 0.10$ (S) A B (S) C

3.95 REF



15.00

7.50

5.75

11.00

-X-

-Y-

XXX

FOOTPRINT

M3	5223979-2
#4-40 UNC-2B	5223979-1
THREAD TYPE	PART NUMBER

THIS DRAWING IS A CONTROLLED DOCUMENT.		DWN J. POLIGNONE 05APR05	Tyco Electronics Corporation Harrisburg, Pa 17105-3608			
DIMENSIONS: mm		CHK R. PATTERSON 05APR05				
TOLERANCES UNLESS OTHERWISE SPECIFIED:		APVD R. PATTERSON 05APR05	NAME			
0 PLC ± - 1 PLC ± - 2 PLC ± 0.13 3 PLC ± - 4 PLC ± - ANGLES ± -		PRODUCT SPEC	MODULE, FEMALE GUIDE, UNIVERSAL POWER MODULE			
MATERIAL		APPLICATION SPEC	SIZE	CAGE CODE	DRAWING NO	RESTRICTED TO
FINISH		WEIGHT	A3	00779	C-5223979	-
1		CUSTOMER DRAWING		SCALE	SHEET	REV
2				2:1	1 OF 1	A