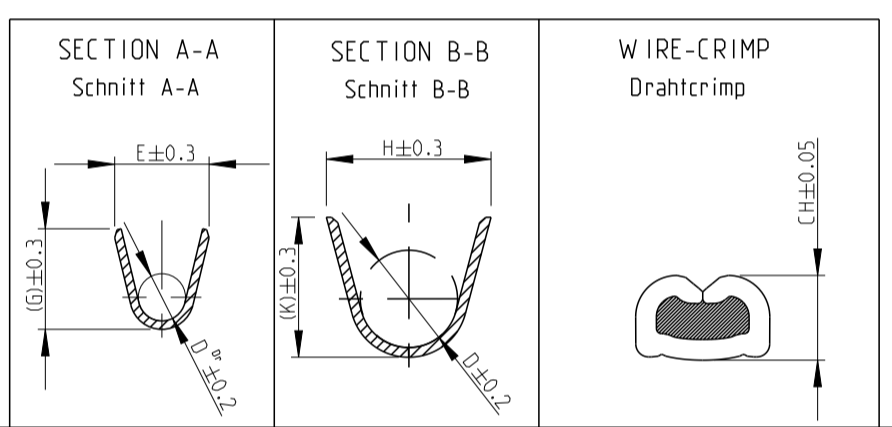
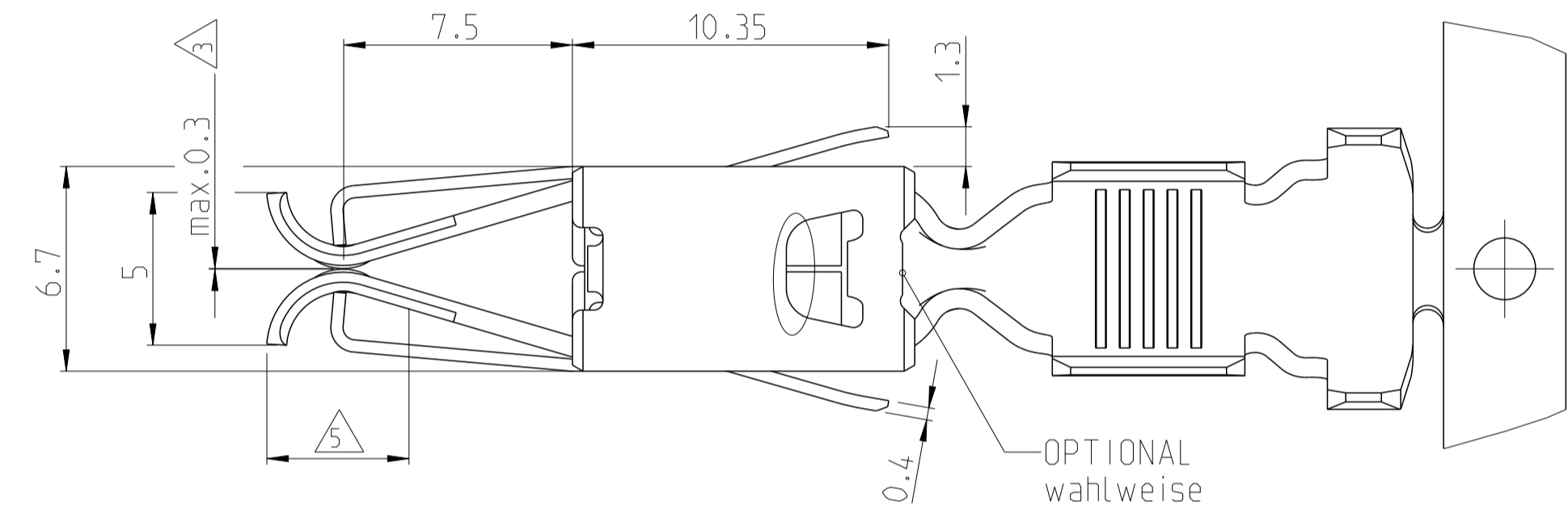
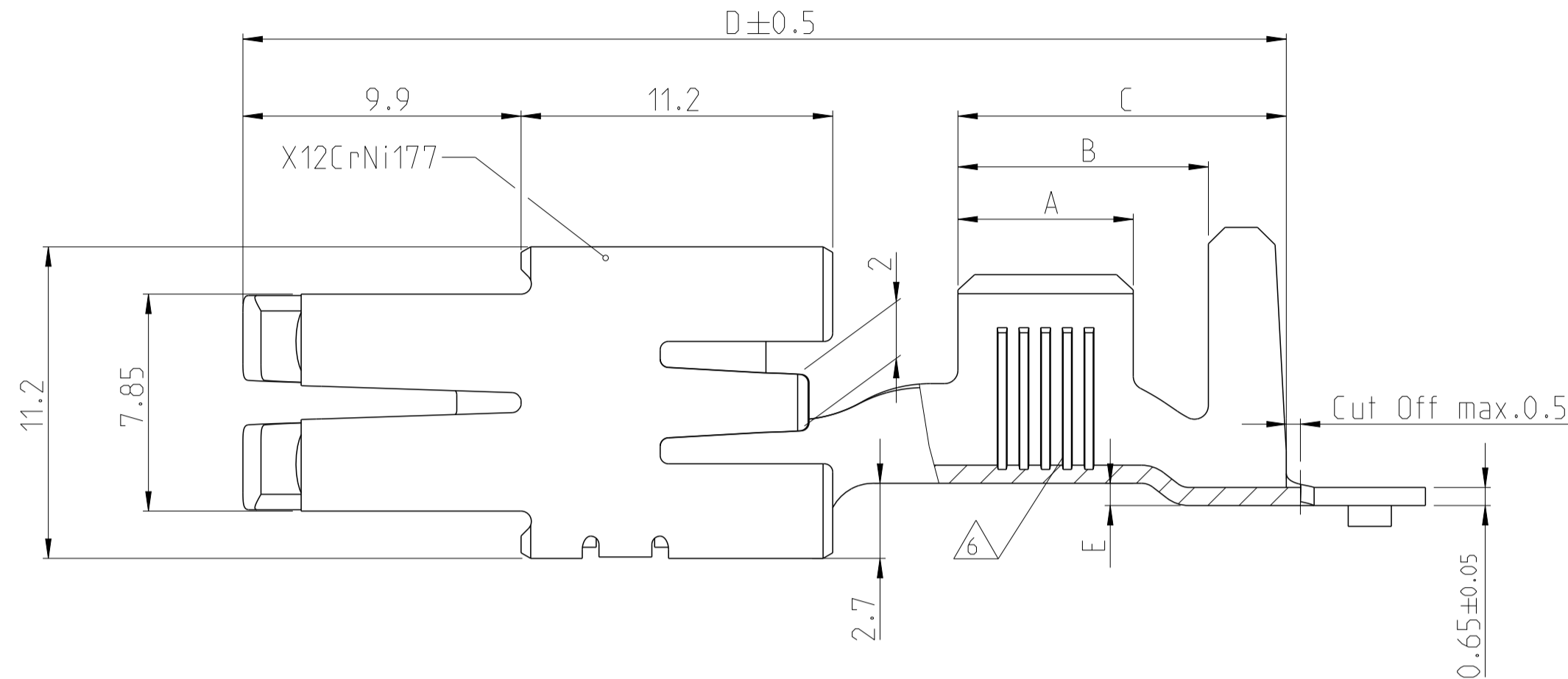


REVISIONS				
P.	LT#	DESCRIPTION	DATE	APPV
A6		Drawing review ECR-12-018815	29OCT2012	MP C V
A7		ECR-13-011943	26JUL2013	MP PSI
AB		ECR-15-012070	13AUG2015	JB, JH BK
A9		ECR-16-014733	18OCT2016	GH MP

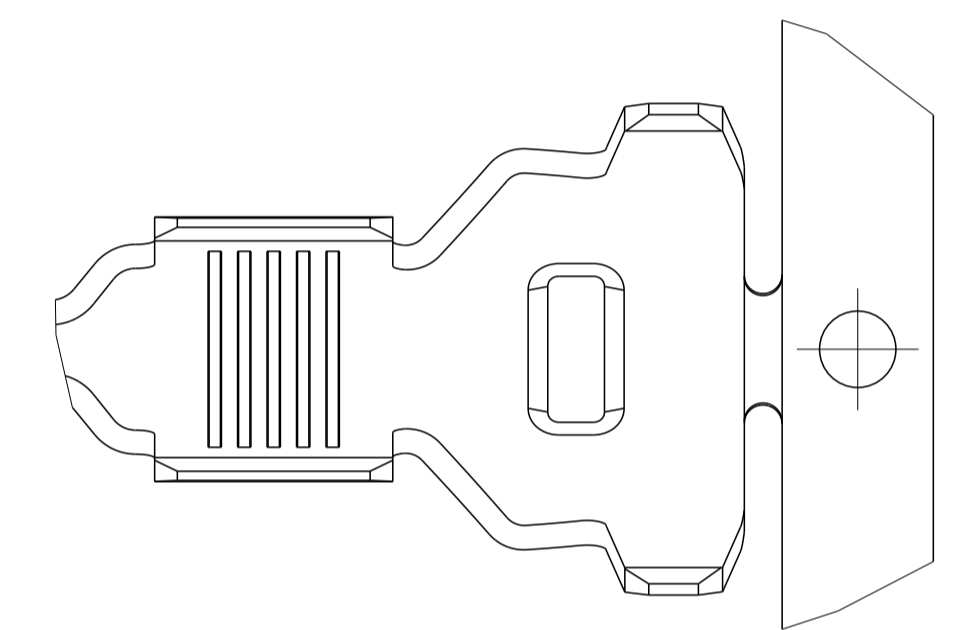
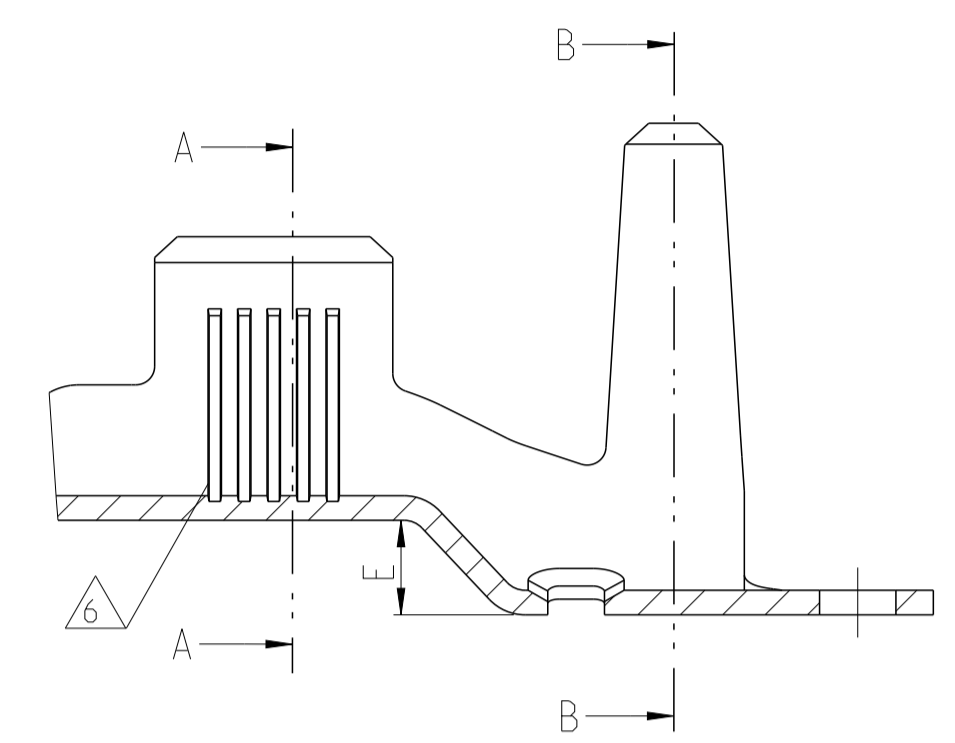
- 1 VERSION WITH REDUCED MATING FORCE  
Ausführung mit reduzierter Steckkraft
- 2 SUITABLE FOR TABS 8x1.2mm AND 9.5x1.2mm  
Geeignet fuer Flachstecker 8x1.2mm und 9.5x1.2mm

- 3 FOR CRITIZATION OF THE GAP-SIZE.  
THE MATING-FORCE HAS PRIORITY  
(<40N WITH TEST TAB ACC. TO PRODUCT SPEC).  
Zur Beurteilung des Öffnungsmasses  
ist die Steckkraft ausschlaggebend  
(<40N mit der Pruefung tab nach produktspezifikation).
- 4 1-3µm TIN LAYER FOR HIGHER TEMPERATURE REQUIREMENTS.  
1-3µm Zinnschicht fuer hoehere Temperaturanforderungen.
- 5 CONTACT ZONE SELECTIVE PRE-SILVER PLATED MIN. 3 µm; REST Ag FLASH  
Kontaktzone selektiv voresilbert min. 3µm; Rest Ag Blitz

VERSION A  
(UNSEALED / ungedichtet)



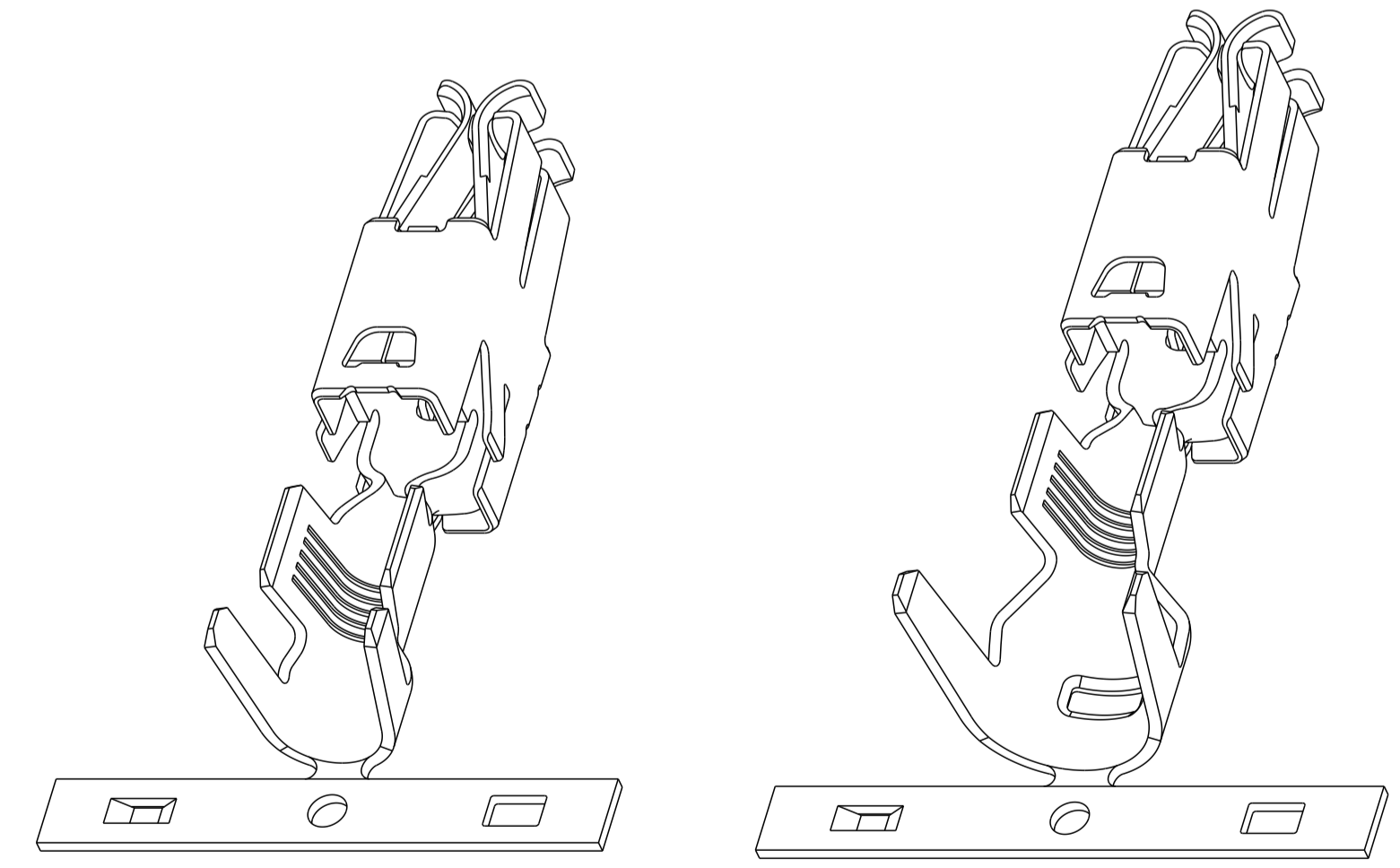
VERSION B  
(SINGLE WIRE SEAL-SYSTEM / Einzel-Dichtungs-System)



VERSION B																	
962938-1	F	CuNiSi	vorverzinkt PRETINNED	5	6.0-10.0	6.0-6.6 FLK	E=7.0 G=7.5 D <sub>gr</sub> =3.7	H=13.0 K=13.0 D=9.5	10.0mm <sup>2</sup> =3.82 - 6.0mm <sup>2</sup> =3.20	680699 MQC-Applicator 2-878660-2	-	6.3	11.9	15.6	41	2.5	
962936-1	F	CuNiSi	vorverzinkt PRETINNED	4	4.0-6.0	4.7-5.2 FLK	E=5.6 G=5.9 D <sub>gr</sub> =3.0	H=13.0 K=13.0 D=9.5	6.0mm <sup>2</sup> =3.08 - 4.0mm <sup>2</sup> =2.74	2151146 MQC-Applicator 2-878595-2	-	5.5	11.1	14.8	41	2.5	
962934-1	D	CuNiSi	vorverzinkt PRETINNED	4	>2.5-4.0	4.0-4.5 FLK	E=4.9 G=5.1 D <sub>gr</sub> =2.3	H=13.0 K=13.0 D=9.5	4.0mm <sup>2</sup> =2.71 - -	1855578 MQC-Applicator 2-878594-2	-	4.5	11.1	14.8	41	2.5	

VERSION A																	
1-962932-6	A	CuNiSi	4	5	6.0-10.0	4.7-6.6 FLK	E=7.0 G=7.5 D <sub>gr</sub> =3.7	H=9.2 K=10.0 D=5.9	10.0mm <sup>2</sup> =3.82 8.5mm <sup>2</sup> =3.59 6.5mm <sup>2</sup> =3.28 6.0mm <sup>2</sup> =3.20	2151285 MQC-Applicator 2-878659-2	734533-1 (only for 10mm <sup>2</sup> )	6.3	9.0	11.8	37.5	0.8	
962932-1	H	CuNiSi	vorverzinkt PRETINNED	4	4.0-6.0	4.0-5.2 FLK	E=5.6 G=5.9 D <sub>gr</sub> =3.0	H=7.8 K=8.1 D=4.5	6.0mm <sup>2</sup> =3.08 5.5mm <sup>2</sup> =3.00 5.0mm <sup>2</sup> =2.91 4.0mm <sup>2</sup> =2.74	2151284 MQC-Applicator 1855532	734532-1 (only for 6mm <sup>2</sup> )	5.5	7.8	10.1	37.5	0.6	
962928-3	G	CuNiSi	5	4	>2.5-4.0	3.3-4.7 FLK	E=4.9 G=5.1 D <sub>gr</sub> =2.3	H=6.9 K=7.2 D=4.0	4.0mm <sup>2</sup> =2.71 3.5mm <sup>2</sup> =2.62 3.0mm <sup>2</sup> =2.52 2.5mm <sup>2</sup> =2.42	2151492 MQC-Applicator 2-878592-2	734531-1	4.5	6.8	9.1	37.5	0.6	

PN STRIP FORM Bandware	REV.	MATERIAL Werkstoff	SURFACE Oberfloechе	NUMBER OF SERRATIONS Anzahl der Verzahnungen	DGB WIRE RANGE [mm <sup>2</sup> ]	INSULATION DIAMETER [mm]	STRIP FORM WIRE CRIMP Drahtcrimp Bandware	INSUL.-CRIMP Isol.-Crimp Bandware	WIRE CRIMP HEIGHT CH Drahtcrimp-Hoehe CH	APPLICATION TOOL Anschlag-WKZ	HAND TOOL Handzange	A	B	C	D	E
				6												-0.25 -0.15
CRIMP DIMENSION (mm) Crimpabmessungen (mm)										EXTRACTION TOOL Ausdruckwerkzeug No.: 1-1579007-7						



THIS DRAWING IS A CONTROLLED DOCUMENT. DWN M. Preiltschliker 31JUL2000  
 CHK V. Hunn 31JUL2000  
 APPV M. Bleicher 31JUL2000

DIMENSIONS: mm  
 TOLERANCES UNLESS OTHERWISE SPECIFIED:  
 PLZ ±0.2mm  
 X/C ±0.05mm  
 X/W ±0.05mm  
 X/E ±0.05mm  
 X/A ±0.05mm  
 X/B ±0.05mm  
 X/D ±0.05mm  
 X/F ±0.05mm  
 X/G ±0.05mm  
 X/H ±0.05mm  
 X/I ±0.05mm  
 X/J ±0.05mm  
 X/K ±0.05mm  
 X/L ±0.05mm  
 X/M ±0.05mm  
 X/N ±0.05mm  
 X/O ±0.05mm  
 X/P ±0.05mm  
 X/Q ±0.05mm  
 X/R ±0.05mm  
 X/S ±0.05mm  
 X/T ±0.05mm  
 X/U ±0.05mm  
 X/V ±0.05mm  
 X/W ±0.05mm  
 X/X ±0.05mm  
 X/Y ±0.05mm  
 X/Z ±0.05mm

MATERIAL: SEE TABLE  
 FINISH: SEE TABLE

NAME: MAXI POWER TIMER FOR 1.2MM TABS  
 MAXI POWER TIMER fuer 1.2mm TABS

SIZE: A1  
 CAGE CODE: 00779  
 DRAWING NO: 1355050  
 REV: A9

SCALE: 5:1  
 SHEET: 1 OF 1  
 CUSTOMER DRAWING

A9

# Mouser Electronics

Authorized Distributor

Click to View Pricing, Inventory, Delivery & Lifecycle Information:

[TE Connectivity:](#)

[962930-1](#)