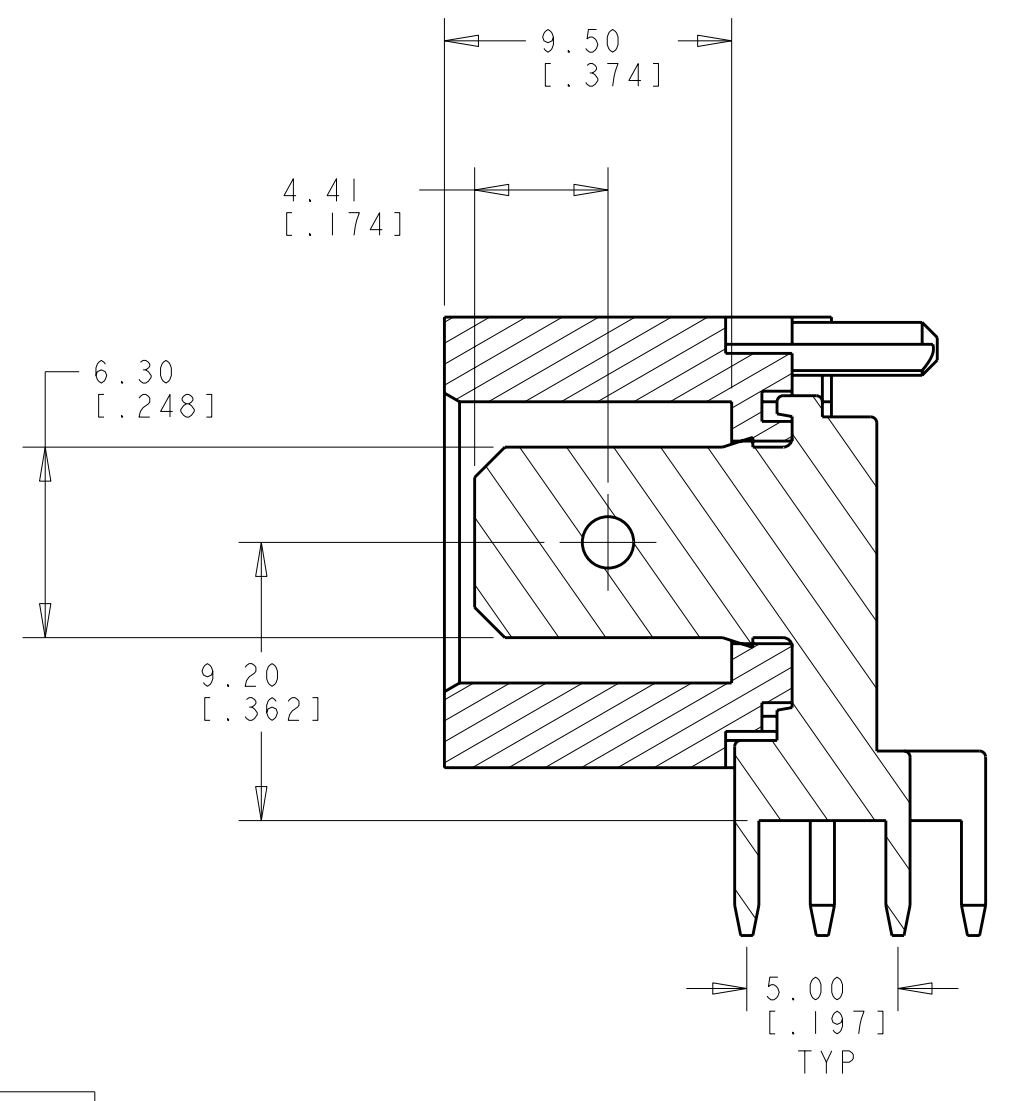
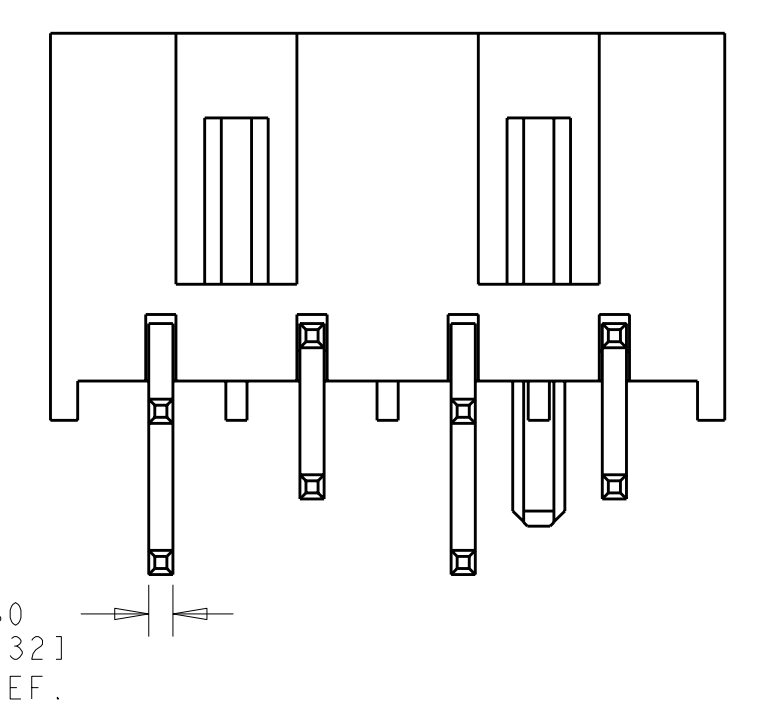
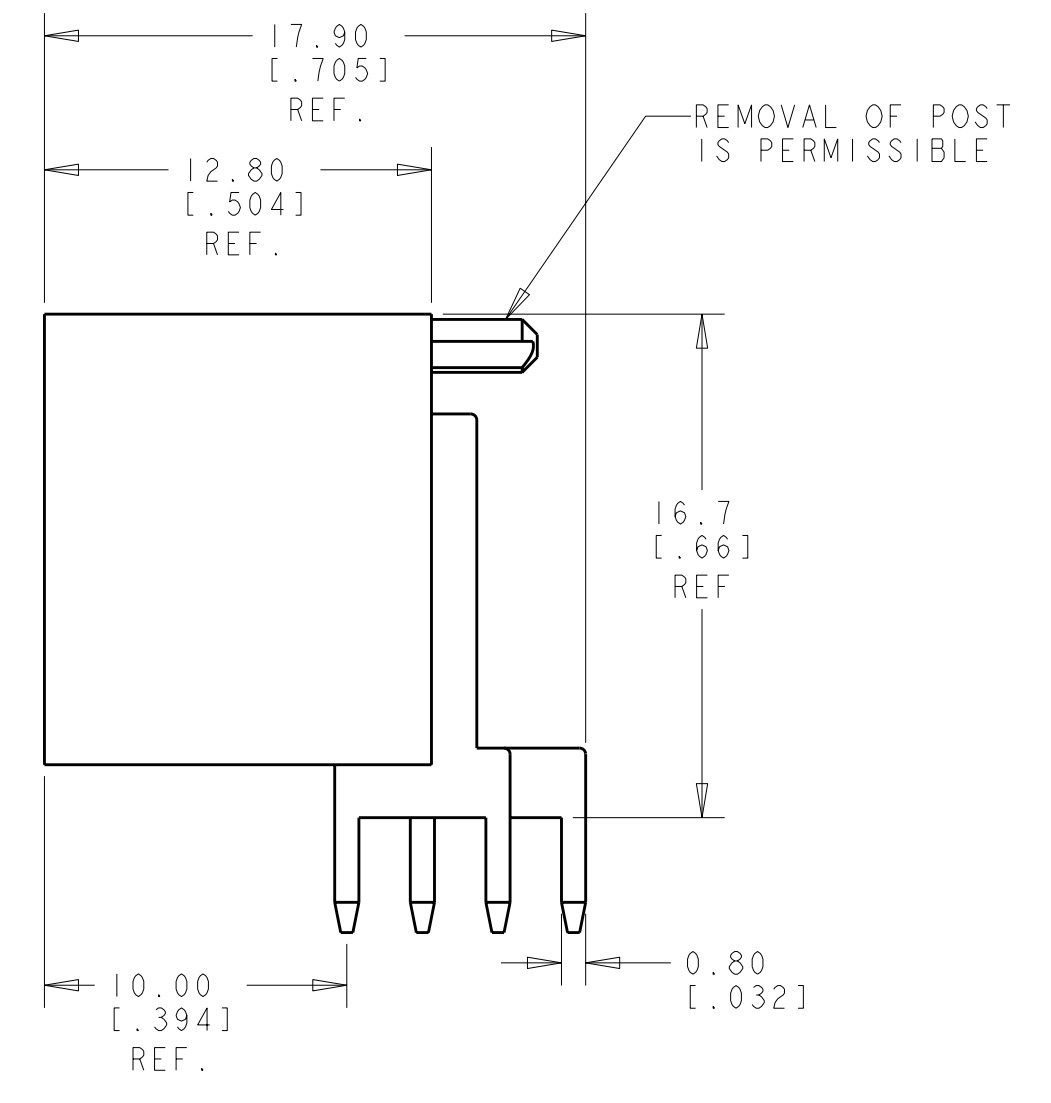
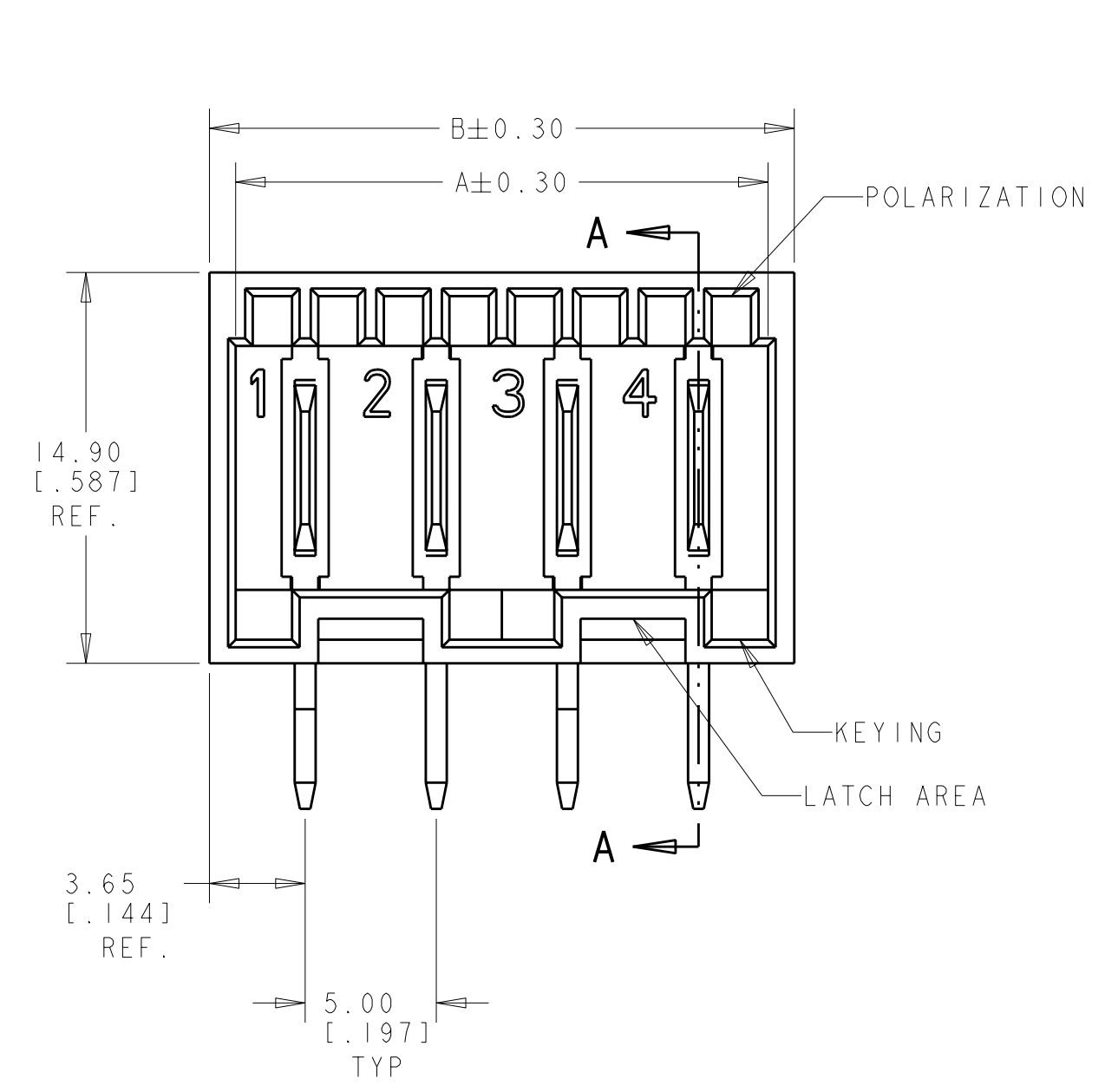
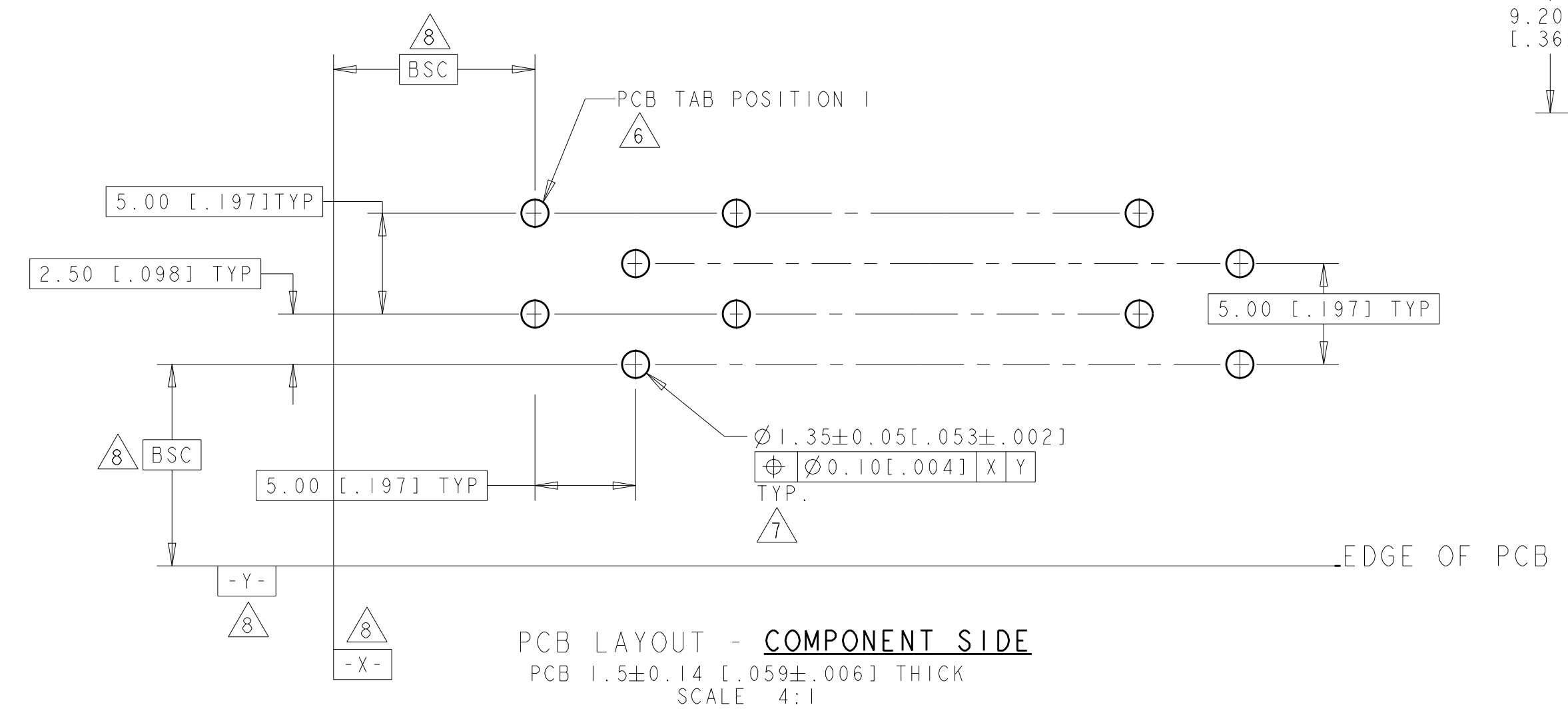


LOC	DIST	REVISIONS			
P	LT#	DESCRIPTION	DATE	DWN	APVD
C1		REVISED PER ECR-05-002105	07JUN2005	MF	RL
C2		REVISED PER ECR-05-005628	12JUL2005	MF	RL
C3		REVISED PER ECR-05-006935	27JUL2005	MF	RL
D		REVISED PER ECR-06-006646	07JUN2006	HMR	RL

- HOUSING HAS RAST 5 COMPLIANT KEYING, LATCHING, AND POLARIZATION. TAB IS 6.3 x 0.8 [1.250 x .032] ACCORDING TO DIN 46244.
- POSSIBLE TYCO MATING CONNECTOR FAMILIES INCLUDE STANDARD TIMER RAST 5, MULTIFITTING, MULTIFITTING MKII, AND MONO-SHAPE TAB CONNECTORS.
- SEE SHEET 2 FOR AVAILABLE CONFIGURATIONS.
- MATERIAL: HOUSING, NYLON 66, UL 94V-0. CONTACT, BRASS, 0.8 mm THICK.
- FINISH: CONTACTS, 3.8 μm MIN TIN OVER 1.3 μm MIN NICKEL.
- PCB TABS INSERTED IN A STAGGERED PATTERN BEGINNING WITH POSITION 1.
- SELECTED HOLES MAY BE 1.05+0.05/-0.00 DIA [1.041+.002/-0.001 DIA] FOR IMPROVED (PRESS-FIT) RETENTION TO P.C.B. PRIOR TO SOLDERING.
- DATUM AND BASIC DIMENSION ESTABLISHED BY CUSTOMER
- PRODUCT QUALIFICATION PER 108-2183
- PRELIMINARY - NOT FOR PRODUCTION



SECTION A-A  
SCALE 4:1



PCB LAYOUT - COMPONENT SIDE  
PCB 1.5±0.14 [1.059±.006] THICK  
SCALE 4:1

47.3	45.3	9
42.3	40.3	8
37.3	35.3	7
32.3	30.3	6
27.3	25.3	5
22.3	20.3	4
17.3	15.3	3
12.3	10.3	2
B	A	NO. OF POS.

DIMENSIONS: mm [INCHES] TOLERANCES UNLESS OTHERWISE SPECIFIED: 9 PLC ± 8 PLC ±0.25 [.010] 5 PLC ± 4 PLC ± ANGLES ±2° FINISH: 4		DWN: R FLAIG 02MAR2004 CHK: J HUMMEL 02MAR2004 APVD: J HUMMEL 02MAR2004 PRODUCT SPEC: 108-2183 APPLICATION SPEC: WEIGHT: CUSTOMER DRAWING		Tyco Electronics Harrisburg, PA 17105-3608 ASSEMBLY, DIN, RAST 5 HEADER, RIGHT ANGLE SIZE: A11 00779 C=521385 SCALE: 4:1 SHEET 1 OF 3 REV D	
---	--	---	--	--	--

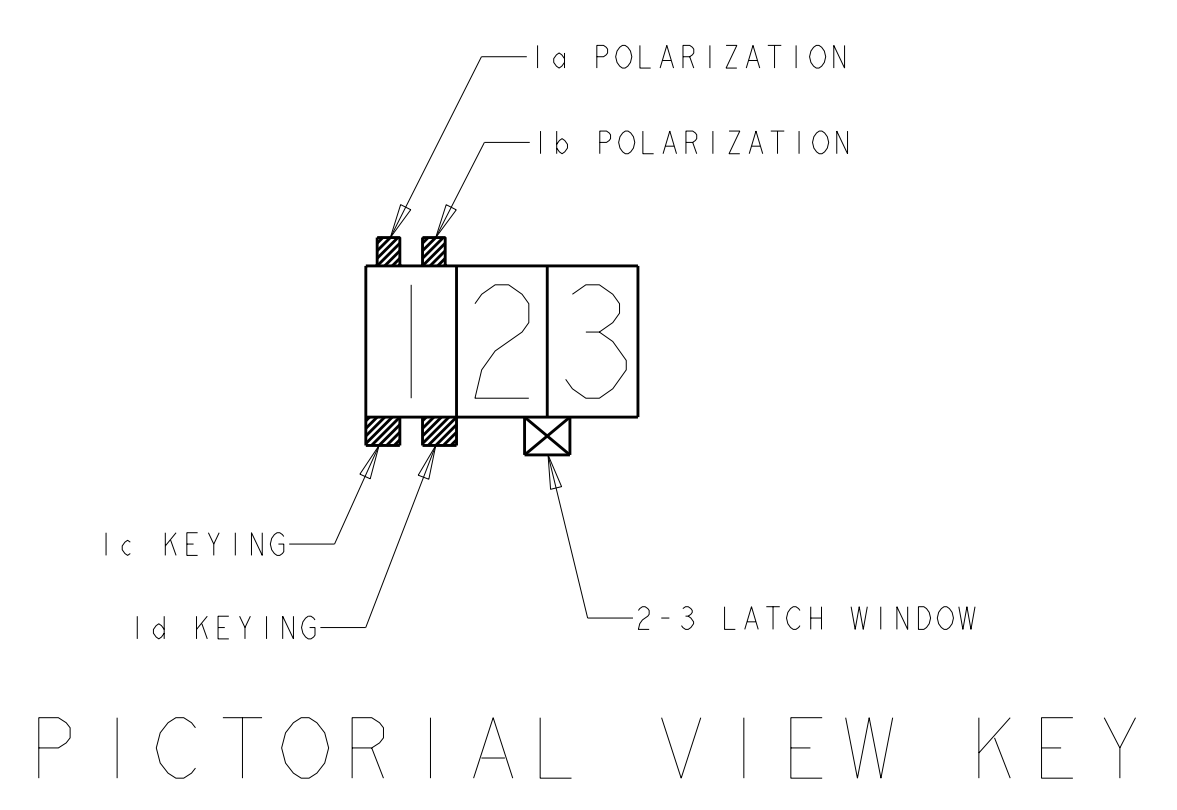
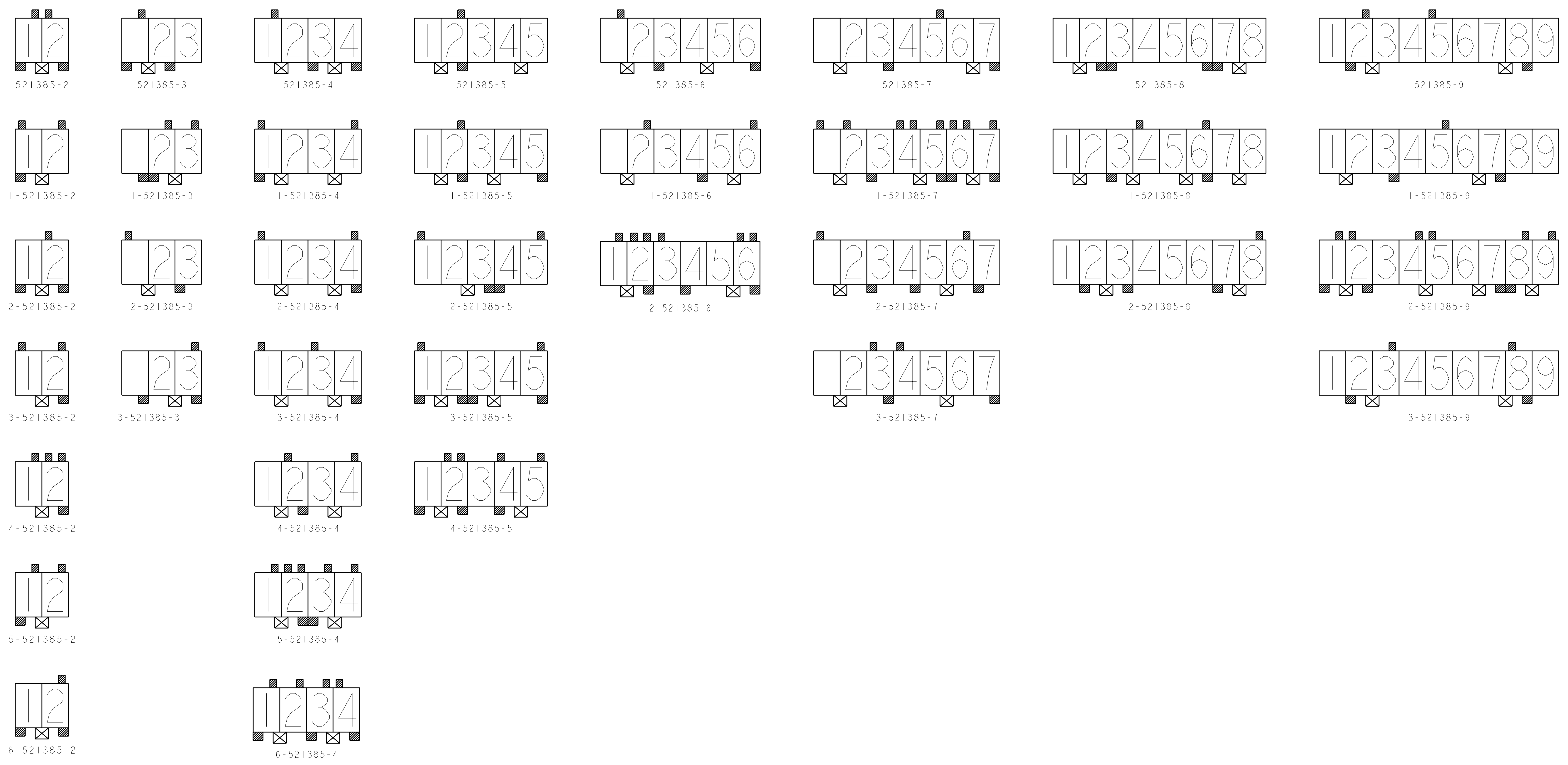
THIS DRAWING IS UNPUBLISHED. RELEASED FOR PUBLICATION 20  
 © COPYRIGHT 20 BY TYCO ELECTRONICS CORPORATION. ALL RIGHTS RESERVED.

LOC		DIST		REVISIONS			
P	LTB	DESCRIPTION	DATE	DWN	APVD		
-	-	SEE SHEET 1	-	-	-		

2-3,7-8	2c,8d	3b,8a	9	-	△ 3-521385-9
1-2,4-5,6-7,8-9	1c,2d,7d,8c	1b,2a,4b,5a,8b,9b	9	-	△ 2-521385-9
1-2,6-7	3d,7d	5b	9	09-D	△ 1-521385-9
2-3,7-8	2c,8d	2b,5a	9	09-C +2c	△ 521385-9
2-3,7-8	2c,3d,7c	8b	8	08-C	2-521385-8
1-2,3-4,5-6,7-8	3c,6d	4a,6b	8	-	1-521385-8
1-2,7-8	2d,3c,6d,7c	-	8	08-D	521385-8
1-2,5-6	3d,7d	3a,4a	7	-	3-521385-7
1-2,5-6	3c,4d,7c	1a,6b	7	-	2-521385-7
1-2,4-5,6-7	3c,5d,6c,7d	1a,2a,4a,4b,5b,6a,6b,7b	7	-	1-521385-7
1-2,6-7	3d,7d	5b	7	07-C	521385-7
1-2,5-6	2d,4c,6d	1b,2a,2b,3a,6a,6b	6	-	2-521385-6
1-2,5-6	4d	2b,6b	6	06-D	1-521385-6
1-2,4-5	3c,6d	1b	6	06-A	521385-6
1-2,4-5	1c,2d,4c	2a,2b,4a,5b	5	-	4-521385-5
1-2,3-4	1c,2d,3c,5d	1a,5b	5	-	3-521385-5
2-3	3d,4c	1a,5b	5	-	2-521385-5
1-2,3-4	2d,5d	2b	5	-	1-521385-5
1-2,4-5	2d	2b	5	05-B	521385-5
1-2,3-4	1c,3c,4d	1b,2b,3b,4a	4	-	6-521385-4
1-2,3-4	2d,3c	1b,2a,2b,3b,4b	4	-	5-521385-4
1-2,3-4	2d	2a,4b	4	04-G	4-521385-4
1-2,3-4	4d	1a,3a	4	04-F	3-521385-4
1-2,3-4	4d	1a,4b	4	04-C	2-521385-4
1-2,3-4	1c	1a,4b	4	04-B	1-521385-4
1-2,3-4	3c,4d	1b	4	04-A	521385-4
2-3	1d,3d	3b	3	-	3-521385-3
1-2	3c	1a	3	03-D	2-521385-3
2-3	1d,2c	2b,3b	3	03-B	1-521385-3
1-2	1c,2d	1b	3	03-A	521385-3
1-2	1c,2d	2b	2	02-P	6-521385-2
1-2	1c	1b,2b	2	02-I	5-521385-2
1-2	2d	1b,2a,2b	2	02-G	4-521385-2
1-2	2d	1a,2b	2	02-E	3-521385-2
1-2	1c,2d	2a	2	02-C	2-521385-2
1-2	1c	1a,2b	2	02-B	1-521385-2
1-2	1c,2d	1b,2a	2	02-A	521385-2
LATCH WINDOWS	KEYING	POLAR.	NO. OF POS.	RAST 5 DESIG.	PART NUMBER

<small>THIS DRAWING IS UNPUBLISHED. RELEASED FOR PUBLICATION 20. © COPYRIGHT 20 BY TYCO ELECTRONICS CORPORATION. ALL RIGHTS RESERVED.</small>		DWN R. FLAIG 02MAR2004 CHK J. HUMMEL 02MAR2004 APVD J. HUMMEL 02MAR2004	<b>tyco</b> <b>Electronics</b> Tyco Electronics Harrisburg, PA 17105-3608
DIMENSIONS: mm [INCHES]	TOLERANCES UNLESS OTHERWISE SPECIFIED: 9 PLC ± 1 PLC ±0.25(.010) 5 PLC ± 4 PLC ± ANGLES ±2° FINISH	PRODUCT SPEC 108-2183 APPLICATION SPEC	ASSEMBLY, DIN, RAST 5 HEADER, RIGHT ANGLE
MATERIAL		WEIGHT CUSTOMER DRAWING	SIZE CAGE CODE DRAWING NO. RESTRICTED TO A 00779 C=521385 SCALE 3:1 SHEET 2 OF 3 REV D

LOC	DIST	REV	DATE	BY	APPD
AF	50				
DESCRIPTION			DATE	DWN	APPD
SEE SHEET 1			-	-	-



<small>THIS DRAWING IS UNPUBLISHED. RELEASED FOR PUBLICATION. ALL RIGHTS RESERVED. THIS DRAWING IS UNPUBLISHED. RELEASED FOR PUBLICATION. ALL RIGHTS RESERVED. THIS DRAWING IS UNPUBLISHED. RELEASED FOR PUBLICATION. ALL RIGHTS RESERVED.</small>		DWN R FLAIG 02MAR2004 CHK J HUMMEL 02MAR2004 APVD J HUMMEL 02MAR2004	<b>tyco</b> Electronics Tyco Electronics Harrisburg, PA 17105-3608
DIMENSIONS: mm [ INCHES ]	TOLERANCES UNLESS OTHERWISE SPECIFIED: 9 PLC ± 1 PLC ±0.25 (0.010) 3 PLC ± 4 PLC ± ANGLES ±2°	PRODUCT SPEC 108-2183 APPLICATION SPEC	NAME ASSEMBLY, DIN, RAST 5 HEADER, RIGHT ANGLE SIZE CAGE CODE DRAWING NO RESTRICTED TO A11 00779 C=521385
MATERIAL	FINISH	WEIGHT	CUSTOMER DRAWING SCALE 4:1 SHEET 3 OF 3 REV D

# Mouser Electronics

Authorized Distributor

Click to View Pricing, Inventory, Delivery & Lifecycle Information:

[TE Connectivity:](#)

[521385-5](#)