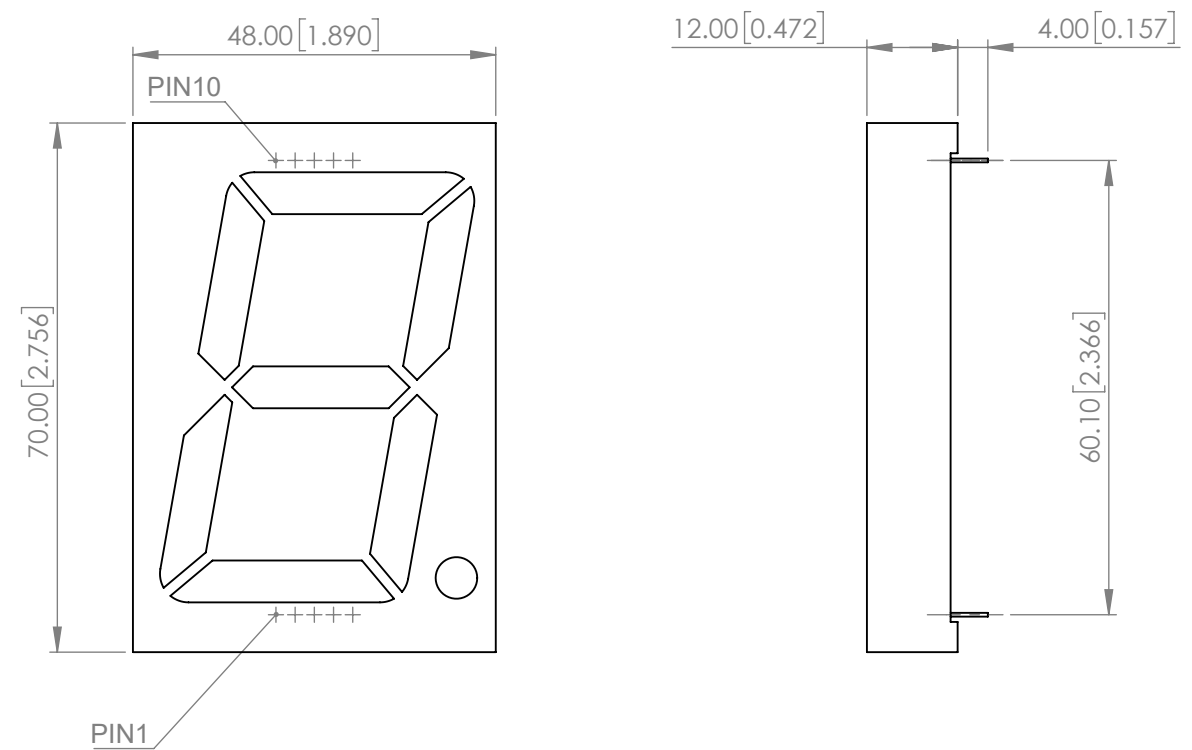
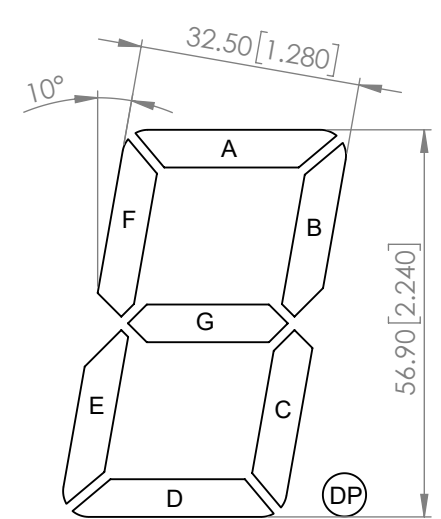


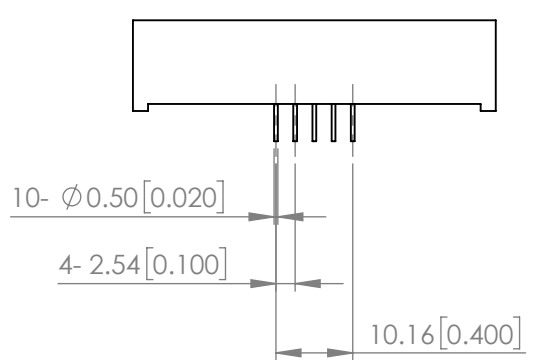
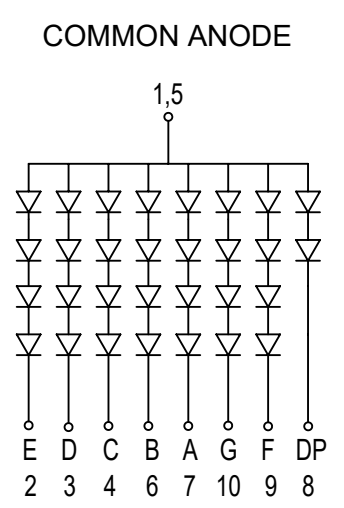
| | | | | |
|--------------------|--|----------------|------------|-------------|
| PART NUMBER | | LDT-M8004RI-SI | REV | B |
| REV | E.C.N. NUMBER AND REVISION COMMENTS | | | DATE |
| A | E.C.N. #10BRDR. & REDRAWN. | | | 04.03.12 |
| B | ECN-Lumex201900096 | | | 07.08.19 |



DIGIT DETAIL



CIRCUIT DIAGRAM



ELECTRO-OPTICAL CHARACTERISTIC TA=25°C PER SEGMENT

| PARAMETER | MIN | TYP | MAX | UNITS | TEST COND |
|--------------------|----------------------|-------|-----|-------|-----------|
| PEAK WAVELENGTH | - | 660 | - | nm | If=10mA |
| FORWARD VOLTAGE | - | 6.8 | 8.8 | Vf | If=10mA |
| REVERSE CURRENT | - | - | 100 | uA | VR=5V |
| LUMINOUS INTENSITY | - | 22500 | - | ucd | If=10mA |
| EMITTED COLOR | RED | | | | |
| FONT COLOR | GRAY | | | | |
| SEGMENT COLOR | MILKY WHITE DIFFUSED | | | | |

ABSOLUTE MAXIMUM RATINGS TA=25°C PER SEGMENT

| PARAMETER | MAX | UNITS |
|-------------------------|------------------|-------|
| PEAK FORWARD CURRENT* | 150 | mA |
| STEADY CURRENT | 30 | mA |
| POWER DISSIPATION | 100 | mW |
| REVERSE VOLTAGE | 5 | V |
| STORAGE TEMPERATURE | -40 TO +85 | °C |
| OPERATING TEMPERATURE | -40 TO +85 | °C |
| SOLDERING TEMPERATURE** | 3 SEC MAX. @ 260 | °C |

* $t < 10\mu s$
 ** AT 2mm DISTANCE FROM THE CASE OF REFLECTOR EDGE.

STATIC DEVICE FOLLOW PROPER E.S.D. HANDLING PROCEDURES WHEN WORKING WITH THIS PART

*UNLESS OTHERWISE SPECIFIED TOLERANCES PER DECIMAL PRECISION ARE: X=±1 (±0.039), X.X=±0.5 (±0.020), X.XX=±0.25 (±0.010), X.XXX=±0.127 (±0.005). LEAD SIZE=±0.05 (±0.002), LEAD LENGTH=±0.75 (±0.030). MIN= ^{+DECIMAL PRECISION}/_{-0.00} MAX.= ^{+0.00}/_{-DECIMAL PRECISION}

Mouser Electronics

Authorized Distributor

Click to View Pricing, Inventory, Delivery & Lifecycle Information:

[Lumex:](#)

[LDS-AD16RI](#)