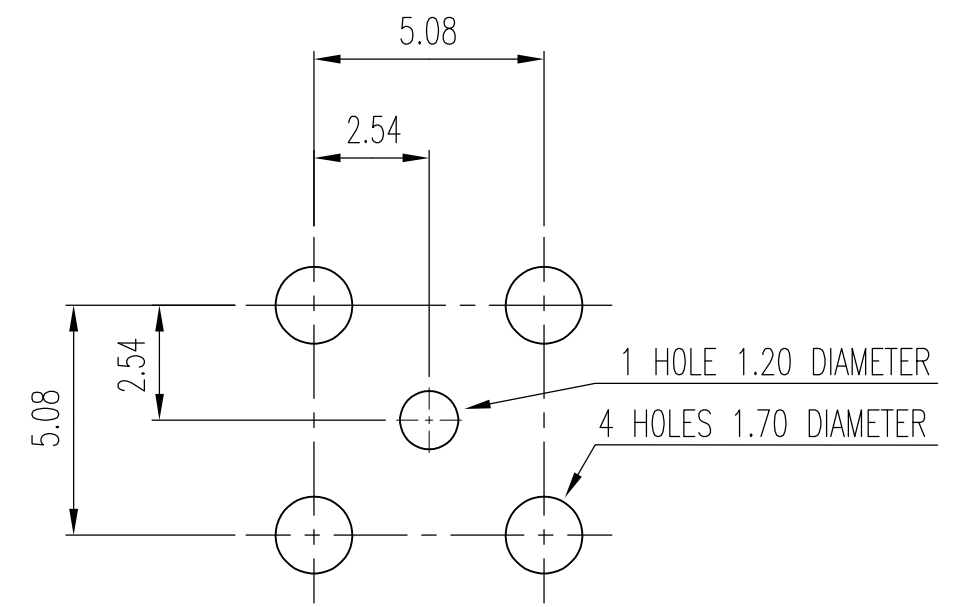
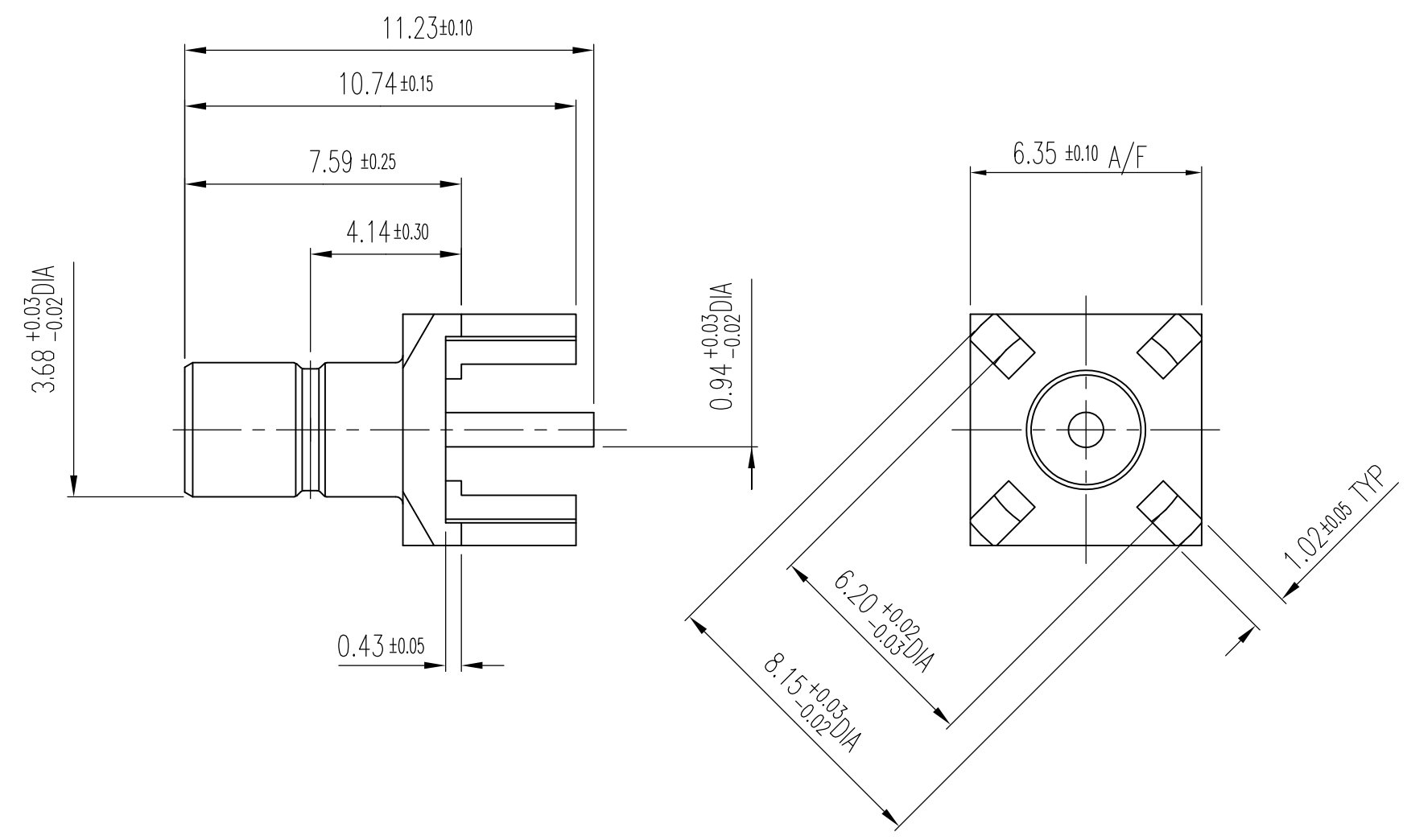


THIS DRAWING IS UNPUBLISHED. RELEASED FOR PUBLICATION  
 © COPYRIGHT BY TYCO ELECTRONICS CORPORATION. ALL INTERNATIONAL RIGHTS RESERVED.

LOC	DIST	REVISIONS			
P	LTR	DESCRIPTION	DATE	DWN	APVD
—	—	01	REVISED PER ECO-09-027196	05JAN10	HMR KW



ELECTRICAL	MECHANICAL	ENVIRONMENTAL	BODY	MATERIAL	FINISH
Nominal Impedance (Ohms) <u>50</u>	Interface Dimensions <u>CECC 22 130</u>	TEMPERATURE RATING <u>-55°C TO +155°C</u>	MALE CONTACT	BRASS	GOLD
Frequency Range (GHz) <u>DC to 4.0</u>	Recommended Mating Torque <u>N/A</u>		INSULATOR	PTFE	N/A
Volt Rating (VRMS MAX) @ Sea Level <u>350</u>	Force to Engage and Disengage (Newtons MAX) <u>60</u>		COMPONENT MATERIAL FINISH		
carona, 70,000Ft (VMRS MIN)	Center Contact Captivation				
Dielectric Withstanding Voltage (VRMS MIN) @ Sea Level <u>1,000</u>	Axial (N)				
Contact Resistance (Milliohms MAX) Center Contact <u>5.0</u>	Radial (Nm) <u>N/A</u>	CABLE ENTRY DIAMETER MINIMUM			
Outer Contact <u>2.5</u>	Cable Retention				
cable to Housing	Axial Force (N) <u>N/A</u>				
I.R.(Megohms MIN) <u>1,000</u>	Torque (Nm) <u>N/A</u>				
	Weight (Grams) <u>TBD</u>				
		DIMS. in mm			

1310851-1  
PART NO.

THIS DRAWING IS A CONTROLLED DOCUMENT.

DIMENSIONS: mm	TOLERANCES UNLESS OTHERWISE SPECIFIED:	DWN RAGHAVENDRA 05JAN2010	Tyco Electronics Tyco Electronics Corporation Harrisburg, PA 17105-3608
	0 PLC ± - 1 PLC ± - 2 PLC ± 0.13 3 PLC ± - 4 PLC ± - ANGLES ± 1°	CHK KEVIN WEIDNER 05JAN2010	
MATERIAL	FINISH	APVD KEVIN WEIDNER	NAME SMB PCB JACK RECEPTACLE
		PRODUCT SPEC	SIZE A3
		APPLICATION SPEC	CAGE CODE 26805
		WEIGHT	DRAWING NO C-1310851
		CUSTOMER DRAWING	RESTRICTED TO
		SCALE 6:1	SHEET 1 OF 1
			REV 01

# Mouser Electronics

Authorized Distributor

Click to View Pricing, Inventory, Delivery & Lifecycle Information:

[TE Connectivity:](#)

[1310851-1](#)