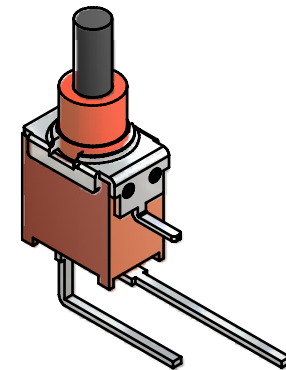
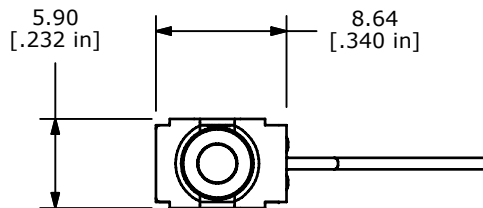


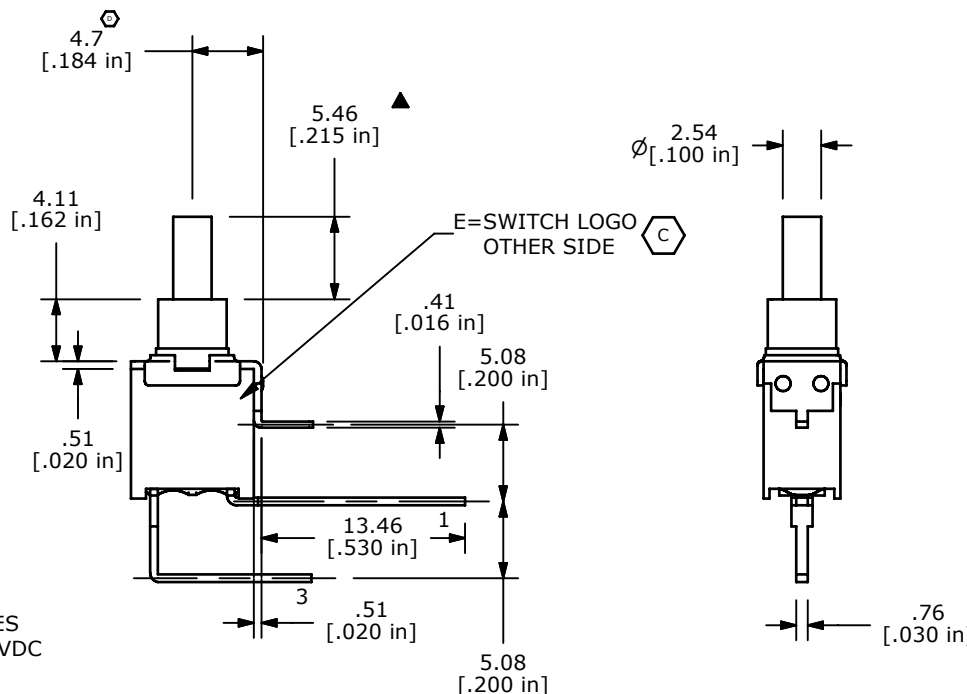
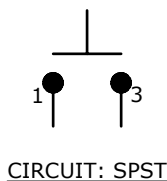
P.C. MOUNTING



ISOMETRIC

| SWITCH FUNCTION | |
|-----------------|--------|
| POS. 1 | POS. 2 |
| | |
| OFF | (ON) |
| OPEN | 1-3 |

(ON)=MOMENTARY



NOTE:

1. ALL DIMENSIONS IN MM [INCH]
2. GENERAL TOLERANCE: X.X=±0.4
X.XX=±0.25
3. TERMINAL NUMBERS FOR REF ONLY
- ▲ 4. CONTACT MATERIAL: SILVER
- ▲ 5. RATING: 1A @ 250 VAC
3A @ 120 VAC OR 28 VDC
6. MECHANICAL LIFE: 50,000 MAKE-AND-BREAK CYCLES
7. CONTACT RESISTANCE: 20 mΩ MAX. INITIAL @ 2-4VDC
100mA FOR BOTH GOLD AND SILVER CONTACTS
8. INSULATION RESISTANCE: 1,000 MEGA-OHM MIN.
9. DIELECTRIC STRENGTH: 1,000 V RMS @SEA LEVEL.
10. OPERATING TEMP.: -30°C to 85°C
11. ▲ DENOTES CRITICAL PARAMETER.
12. 2002/95/EC (ROHS) COMPLIANT

| | | | | |
|-----|--------|----------------------------|----------|-----|
| D | 20653 | Add 4.7mm dimension | 6/19/12 | rc |
| C | 20252 | CORRECT BODY ORIENTATION | 11/02/11 | BMA |
| B | 20063 | UPDATE AND CONVERT DRAWING | 07/19/11 | BMA |
| REV | PCR NO | DESCRIPTION | DATE | BY |



| | | | | |
|--------------------|-----------|-----|---------|-----|
| TITLE 800AWSP9M7QE | | | | |
| SCALE | DATE | DR | DWG | REV |
| 2:1 | 7/19/2011 | BMA | T833014 | D |

THE INFORMATION CONTAINED IN THIS DOCUMENT IS PROPRIETARY TO E-SWITCH AND IS NOT TO BE COPIED OR TRANSFERRED

Mouser Electronics

Authorized Distributor

Click to View Pricing, Inventory, Delivery & Lifecycle Information:

[E-Switch:](#)

[800AWSP9M7QE](#)