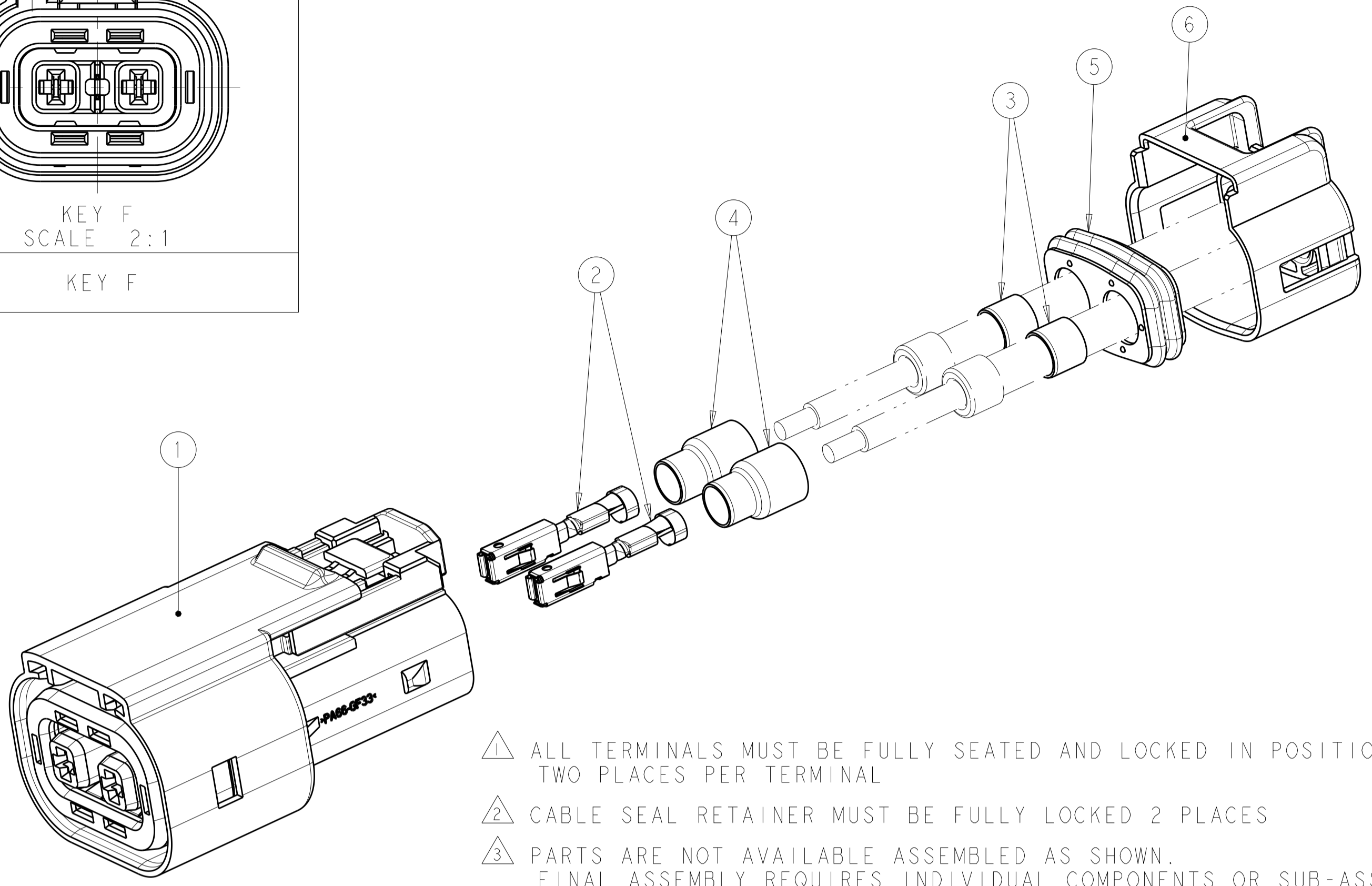
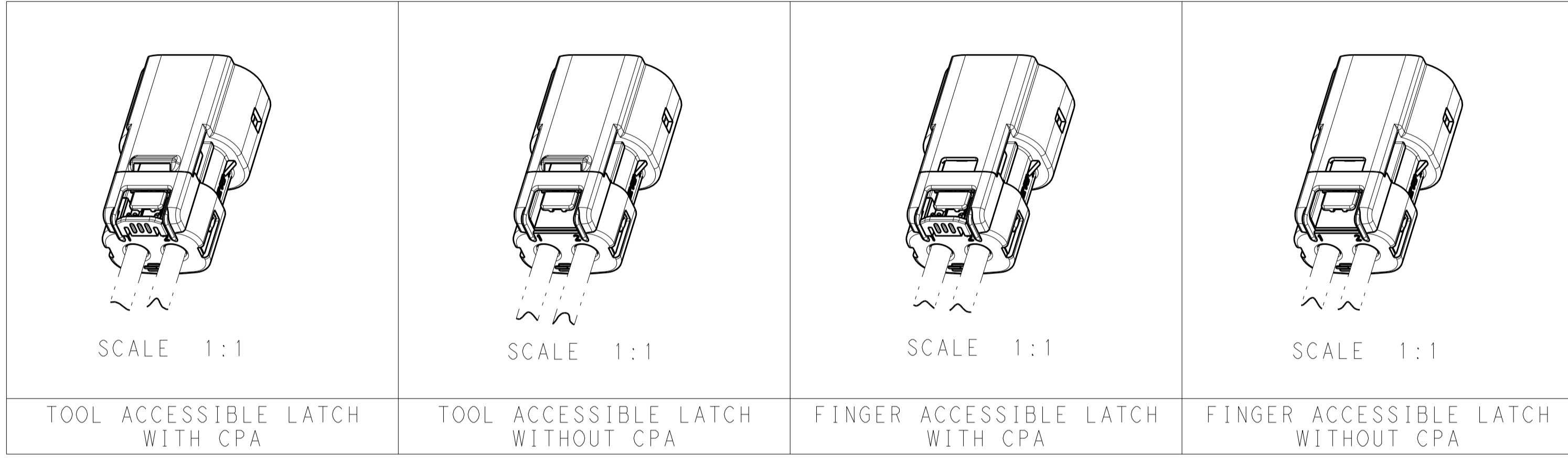
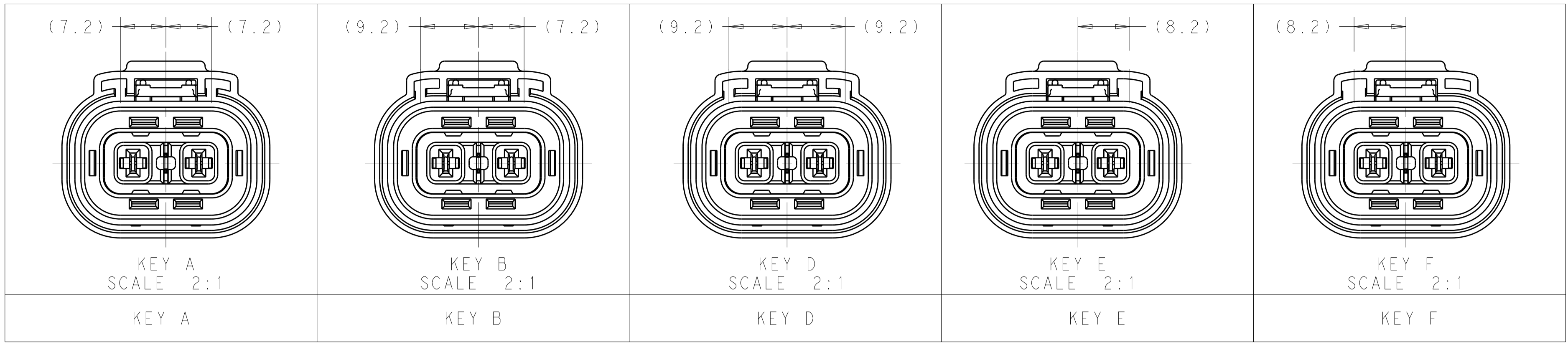
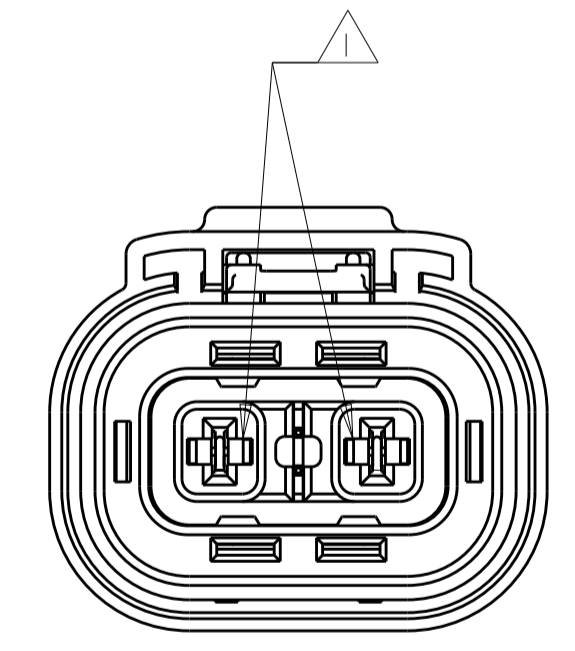
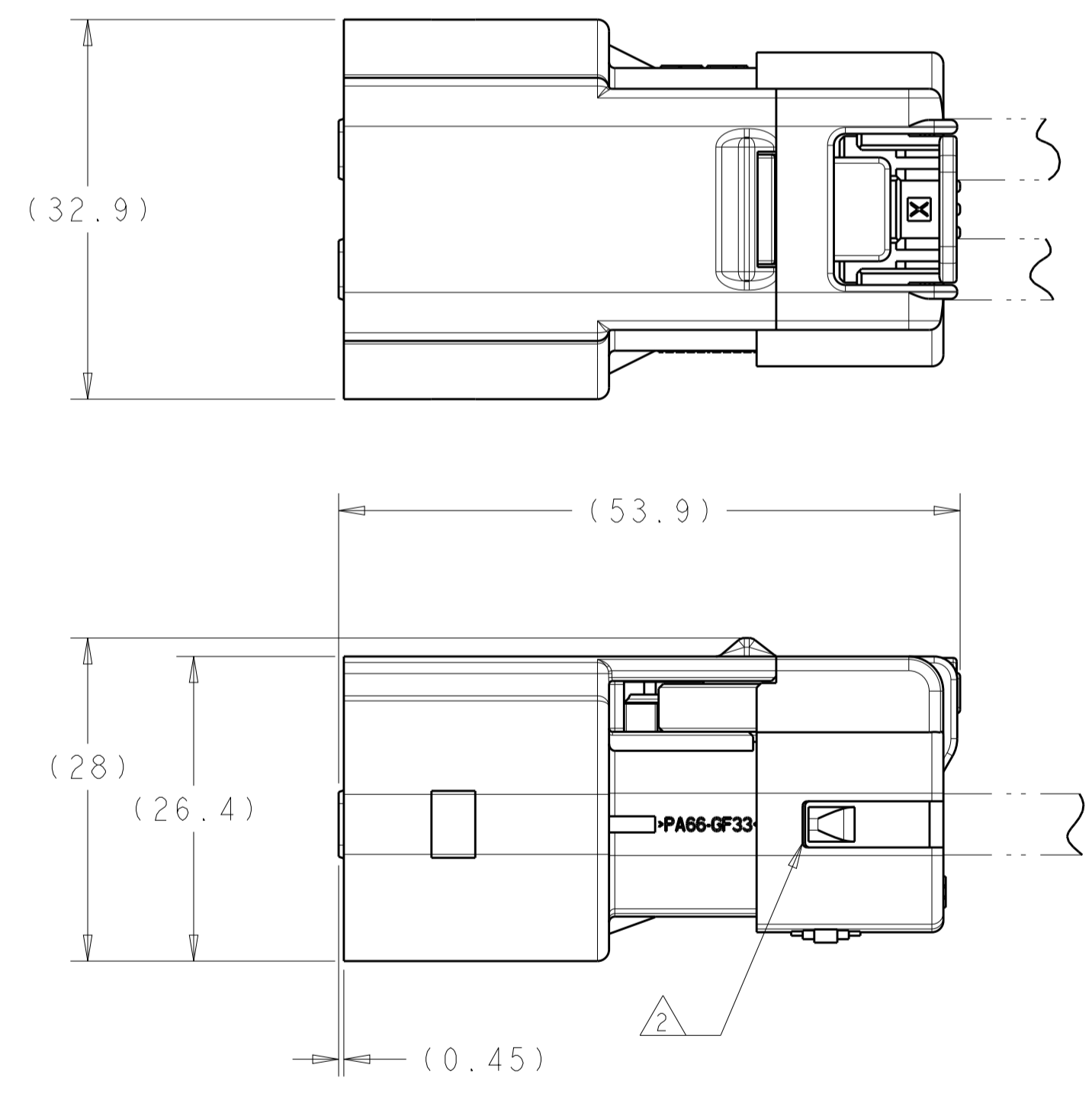


REVISIONS				
P.	LTN	DESCRIPTION	DATE	OWN APVD
4		ITEM BALLOONS 3, 4 MATCHED TO PARTS LIST	02OCT2014	DS YS



- ⚠️ 1 ALL TERMINALS MUST BE FULLY SEATED AND LOCKED IN POSITION TWO PLACES PER TERMINAL
- ⚠️ 2 CABLE SEAL RETAINER MUST BE FULLY LOCKED 2 PLACES
- ⚠️ 3 PARTS ARE NOT AVAILABLE ASSEMBLED AS SHOWN. FINAL ASSEMBLY REQUIRES INDIVIDUAL COMPONENTS OR SUB-ASSEMBLIES LISTED IN THE PARTS LIST AND AVAILABLE SEPARATELY FROM TE. CONSULT INDIVIDUAL CUSTOMER DRAWINGS FOR PART RELEASE STATUS.
- ⚠️ 4 THESE COMPONENTS HAVE OPTIONAL PART NUMBERS FOR DIFFERENT USE, WITH/WITHOUT CPA AND TOOL ACCESSIBLE/FINGER ACCESSIBLE LATCHING. CONTACT TYCO ELECTRONICS ENGINEERING FOR APPLICATION SPECIFIC PART NUMBERS.
- ⚠️ 5 NOTE DELETED
- 6. MATES WITH HEADERS SHOWN ON THESE TYCO ELECTRONICS DRAWINGS: 2103124, 1587975, 1587831
- 7. FOR TERMINAL CRIMPING AND APPLICATOR INFORMATION, PLEASE SEE TE APPLICATION SPECIFICATION: 114-18148-1

THIS PRINT IS
PRELIMINARY
 UNQUALIFIED PRODUCT
 CONTACT PRODUCT ENGINEERING
 BEFORE USING THIS PRINT



QTY REQ	PART NO.	CUSTOMER DRAWING	DESCRIPTION	ITEM NO	CABLE SUPPLIER/SPECIFICATION	CABLE SIZE/DESCRIPTION
	2103181-3	2103181	SEAL RETAINER, CABLE	6	LEONI KABEL, GmbH 76231175A	4.0mm ² INDIVIDUALLY SHIELDED
	1587826-3	1587826	SEAL, CABLE, VMO TYPE	5		
	1587829-3	1587829	FERRULE, OUTER	4		
	1587828-3	1587828	FERRULE, INNER	3		
	1-968853-3	1355036	MCP 2.8 TERMINAL FEMALE, Ag, 4.0mm ²	2	HUBER+SUHNER, AG 12 582 674	4.0mm ² INDIVIDUALLY SHIELDED
⚠️ 4	(X-)2103177-X	2103177	PLUG SUBASSY	1		
	2103181-3	2103181	SEAL RETAINER, CABLE	6		
	1587826-3	1587826	SEAL, CABLE, VMO TYPE	5		
	1587829-3	1587829	FERRULE, OUTER	4	JUDD WIRE, INC. JW1187-08	3.0mm ² INDIVIDUALLY SHIELDED
	1587828-3	1587828	FERRULE, INNER	3		
	1-968853-3	1355036	MCP 2.8 TERMINAL FEMALE, Ag, 4.0mm ²	2		
⚠️ 4	(X-)2103177-X	2103177	PLUG SUBASSY	1		
	2103181-2	2103181	SEAL RETAINER, CABLE	6		
	1587826-2	1587826	SEAL, CABLE, VMO TYPE	5		
	1587829-2	1587829	FERRULE, OUTER	4		
	1587828-2	1587828	FERRULE, INNER	3		
	1-968853-3	1355036	MCP 2.8 TERMINAL FEMALE, Ag, 4.0mm ²	2		
⚠️ 4	(X-)2103177-X	2103177	PLUG SUBASSY	1		

TOOL ACCESSIBLE LATCH WITH CPA VERSION SHOWN

THIS DRAWING IS A CONTROLLED DOCUMENT. OWN: D SIMPSON 23FEB2011
 CHG: A TYLER 23FEB2011
 APVD: J HOLEWITZ 28FEB2011

DIMENSIONS: mm
 TOLERANCES UNLESS OTHERWISE SPECIFIED:
 0 PLC ±0.5
 1 PLC ±0.13
 2 PLC ±0.13
 3 PLC ±0.013
 4 PLC ±0.0001
 ANGLES ±1

MATERIAL: - FINISH: - WEIGHT: -

PRODUCT SPEC: - APPLICATION SPEC: -
 SIZE: A1 CAGE CODE: 2103176 DRAWING NO: 100779 SCALE: 2:1 SHEET: 1 OF 1 REV: 4

PRELIMINARY

PLUG ASSY
 HVA280-2PH1 XE
 REFERENCE DRAWING

CUSTOMER DRAWING

Mouser Electronics

Authorized Distributor

Click to View Pricing, Inventory, Delivery & Lifecycle Information:

[TE Connectivity:](#)

[4-2103177-2](#)