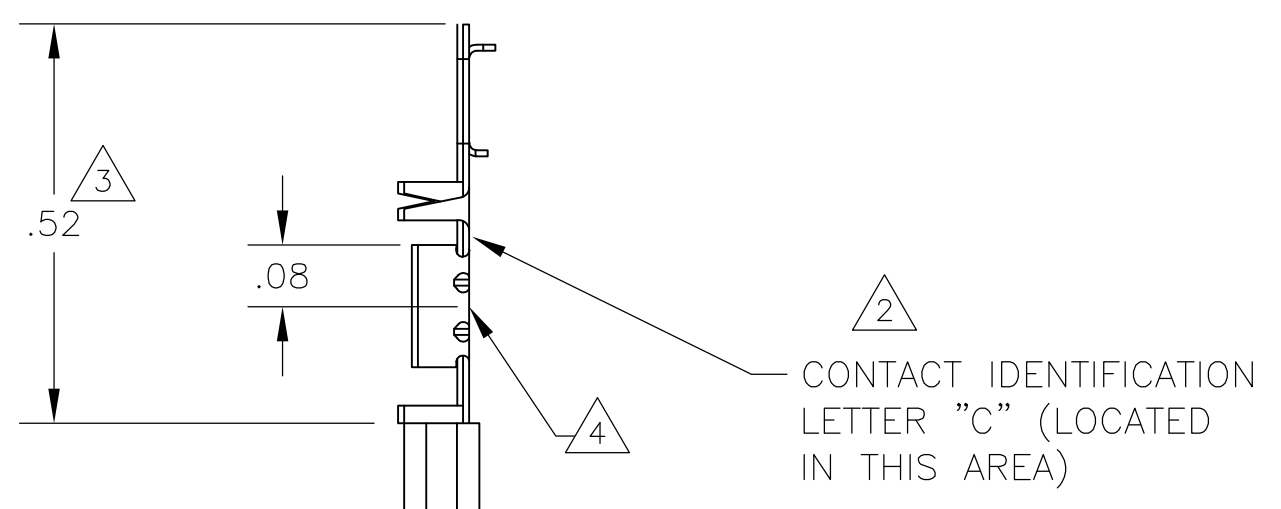
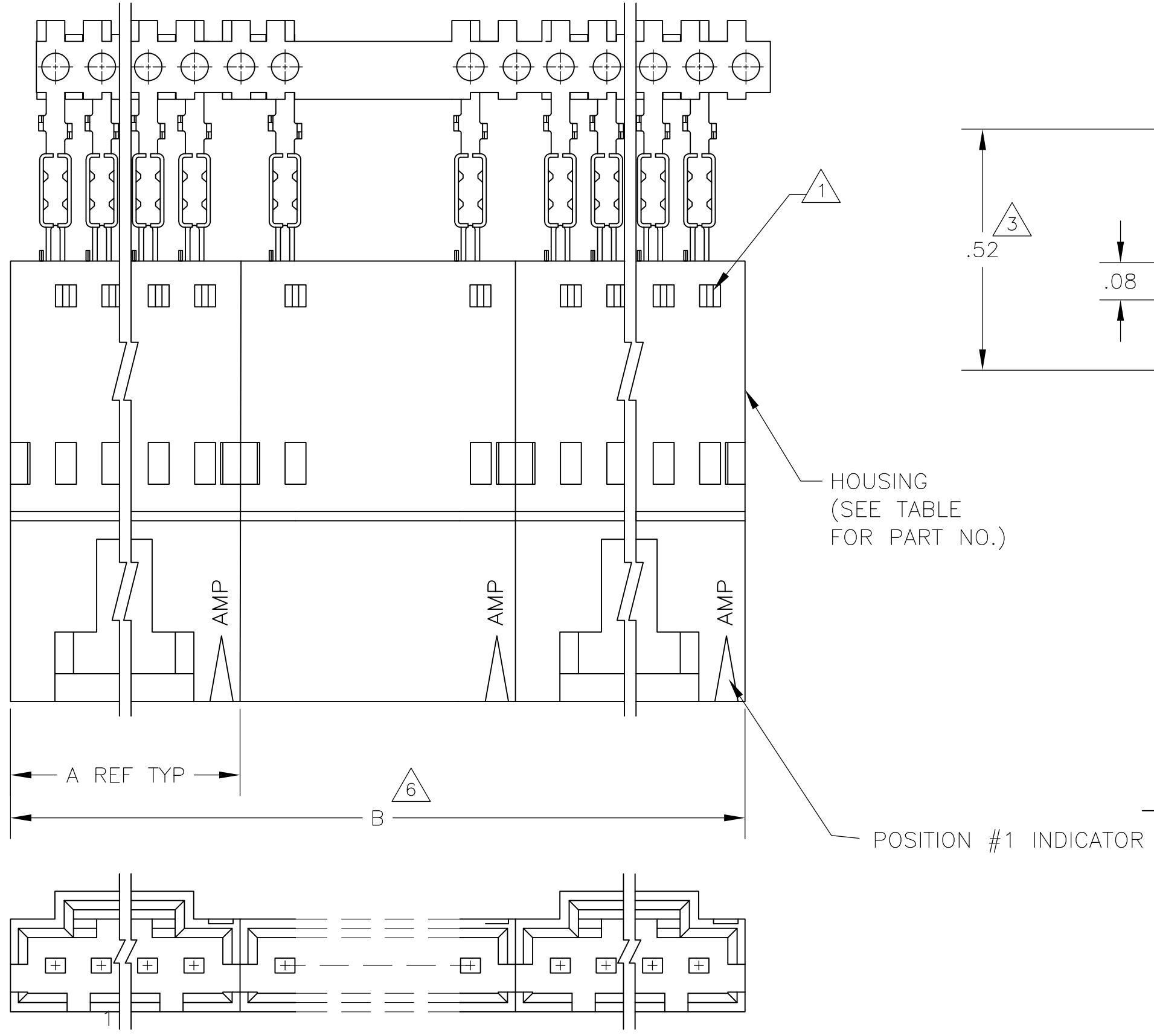


THIS DRAWING IS UNPUBLISHED. RELEASED FOR PUBLICATION
 © COPYRIGHT BY TYCO ELECTRONICS CORPORATION. ALL RIGHTS RESERVED.

| LOC | DIST | REVISIONS | | | |
|-----|------|---------------------------|---------|-----|------|
| P | LTR | DESCRIPTION | DATE | DWN | APVD |
| J | | EC 0G3C 0766 04 | 28DEC04 | BSV | - |
| J1 | | REVISED PER ECO-09-020689 | 29AUG09 | KK | AEG |



| | | | | | | | | |
|---------|------------|----|---|---------------------|------------|-------------------------------|----|------------|
| △10 | OBSOLETE | △9 | 2 | 2.59 | 1.295 | 1-103653-1 | 12 | 6-103947-1 |
| △10 | OBSOLETE | △9 | 2 | 2.39 | 1.195 | 1-103653-0 | 11 | 6-103947-0 |
| △10 | OBSOLETE | △9 | 2 | 2.19 | 1.095 | 103653-9 | 10 | 5-103947-9 |
| △10 | OBSOLETE | △9 | 2 | 1.99 | .995 | 103653-8 | 9 | 5-103947-8 |
| | | △9 | 2 | 1.79 | .895 | 103653-7 | 8 | 5-103947-7 |
| △10 | OBSOLETE | △9 | 3 | 2.39 | .795 | 103653-6 | 7 | 5-103947-6 |
| △10 | OBSOLETE | △9 | 2 | 1.39 | .695 | 103653-5 | 6 | 5-103947-5 |
| △10 | OBSOLETE | △9 | 4 | 2.38 | .595 | 103653-4 | 5 | 5-103947-4 |
| | | △9 | 4 | 1.98 | .495 | 103653-3 | 4 | 5-103947-3 |
| | | △9 | 5 | 1.98 | .395 | 103653-2 | 3 | 5-103947-2 |
| | | △9 | 8 | 2.36 | .295 | 103653-1 | 2 | 5-103947-1 |
| △10 | OBSOLETE | △8 | 2 | 2.59 | 1.295 | 1-103653-1 | 12 | 1-103947-1 |
| △10 | OBSOLETE | △8 | 2 | 2.39 | 1.195 | 1-103653-0 | 11 | 1-103947-0 |
| △10 | OBSOLETE | △8 | 2 | 2.19 | 1.095 | 103653-9 | 10 | 103947-9 |
| △10 | OBSOLETE | △8 | 2 | 1.99 | .995 | 103653-8 | 9 | 103947-8 |
| △10 | SUPERSEDED | △8 | 2 | 1.79 | .895 | 103653-7 | 8 | 103947-7 |
| △10 | OBSOLETE | △8 | 3 | 2.39 | .795 | 103653-6 | 7 | 103947-6 |
| | | △8 | 2 | 1.39 | .695 | 103653-5 | 6 | 103947-5 |
| △10 | OBSOLETE | △8 | 4 | 2.38 | .595 | 103653-4 | 5 | 103947-4 |
| | | △8 | 4 | 1.98 | .495 | 103653-3 | 4 | 103947-3 |
| | | △8 | 5 | 1.98 | .395 | 103653-2 | 3 | 103947-2 |
| | | △8 | 8 | 2.36 | .295 | 103653-1 | 2 | 103947-1 |
| PLATING | △6 | B | A | HOUSING PART NUMBER | NO OF POSN | ASSEMBLY PART NUMBER ON STRIP | | |

- △1 CONTACTS ARE LATCHED INTO THE PRELOAD WINDOWS
- △2 USE WITH #26-#30 AWG WIRE SIZE, .054/.030 INSULATION DIAMETER, .015 MAXIMUM INSULATION THICKNESS
- △3 THE DIMENSION APPLIES WITH THE FORWARD PRELOAD STOP IN CONTACT WITH THE HOUSING SURFACE
- △4 POINT OF MEASUREMENT FOR PLATING THICKNESS
- 5 FOR INDIVIDUAL ASSEMBLIES SEE PART NUMBER 103659
- △6 ASSEMBLIES ARE JOINED BY THE CARRIER STRIP. ORDER QUANTITY REFLECTS TOTAL NUMBER OF INDIVIDUAL ASSEMBLIES REQUIRED. SEE TABLE FOR NUMBER OF ASSEMBLIES PER STRIP.
- △7 MATERIAL- HOUSING: FLAME RETARDANT THERMOPLASTIC, COLOR: BLACK PINS: PHOS. BRONZE
- △8 FINISH- PINS: .000100-.000200 BRIGHT TIN-LEAD OVER .000050 NICKEL.
- △9 FINISH- PINS: .000100-.000200 MATTE TIN OVER .000050 NICKEL.
- △10 OBSOLETE PARTS: OBSOLETE CIS STREAMLINING PER D.RENAUD/D.SINISI

THIS DRAWING IS A CONTROLLED DOCUMENT.

| | | |
|------------------|-----------|---------|
| DWN | R BROWN | 26JUL00 |
| CHK | K WRIGHT | 26JUL00 |
| APVD | K WRIGHT | 26JUL00 |
| PRODUCT SPEC | 108-25034 | |
| APPLICATION SPEC | 114-25026 | |
| WEIGHT | - | |
| CUSTOMER DRAWING | SCALE | 4:1 |

Tyco Electronics Tyco Electronics Corporation
Harrisburg, Pa 17105-3608

NAME: SHROUDED PIN ASSY, AMPMODU MTE, SINGLE ROW, .100 CL, POLARIZED, W/ LATCH WINDOWS, FOR #26-#30 AWG WIRE SIZE, STRIP FORM

SIZE: A2 CAGE CODE: 00779 DRAWING NO: 103947 RESTRICTED TO: -

SHEET 1 OF 1 REV J1

Mouser Electronics

Authorized Distributor

Click to View Pricing, Inventory, Delivery & Lifecycle Information:

[TE Connectivity:](#)

[103947-2](#)