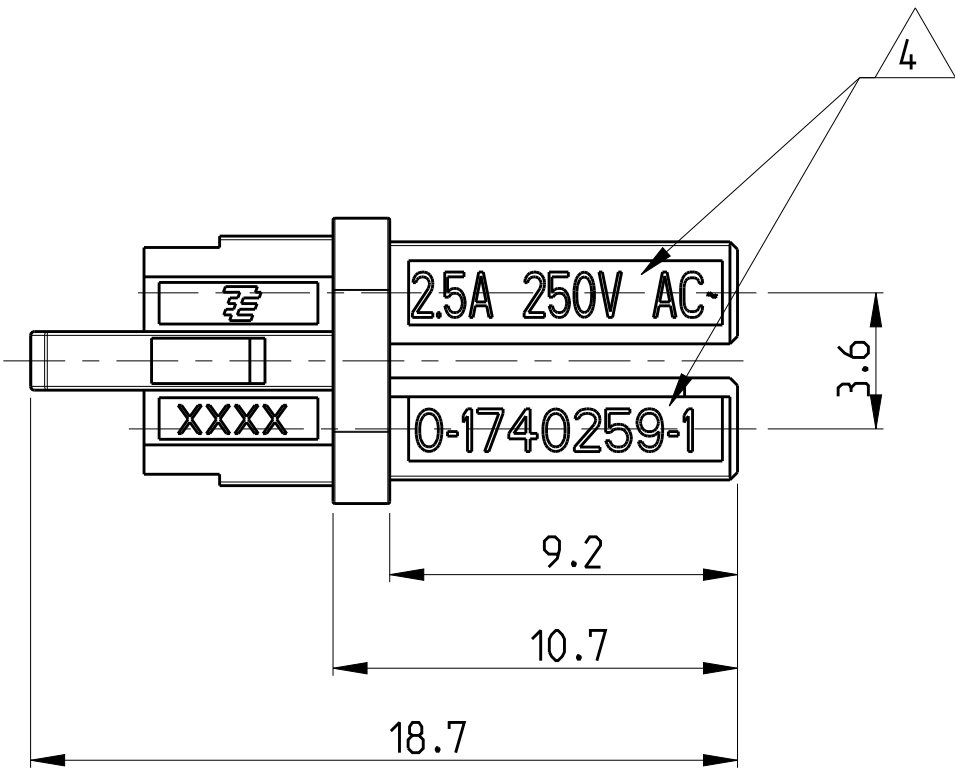


THIS DRAWING IS UNPUBLISHED. RELEASED FOR PUBLICATION 2005  
 © COPYRIGHT 2005 Tyco Electronics AMP GmbH ALL RIGHTS RESERVED.

LOC	DIST	REVISIONS					
		P	LTR	DESCRIPTION	DATE	DWN	APVD
A1	-	F		REVISED	18AUG2012	MZ	JC
		G		REVISED PER ECR-16-002347	22FEB2016	RS	JL
		H		ECR-16-003641	11MAY2016	RS	JL
		J		ECR-16-017348	24FEB2017	RK	JL



HIGH-VOLTAGE

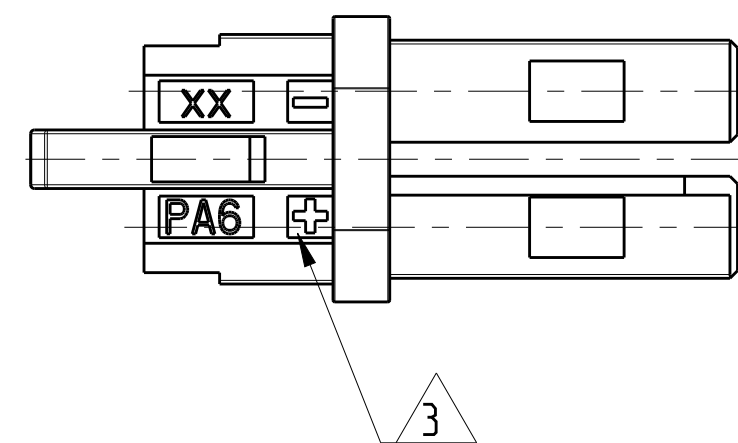
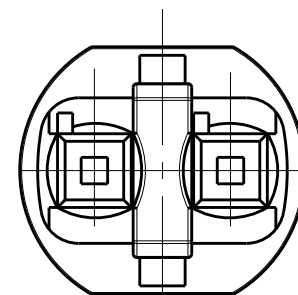
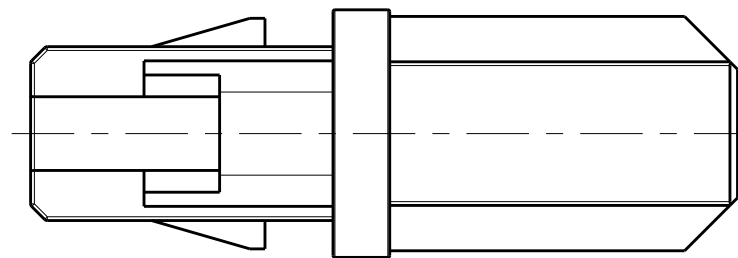
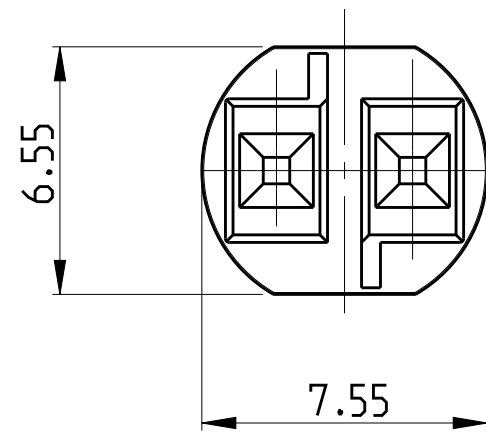
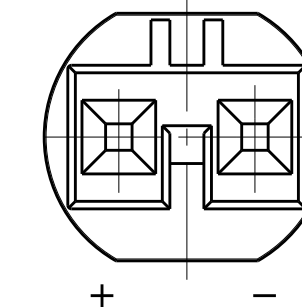
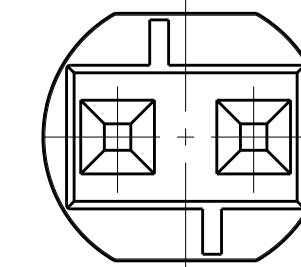
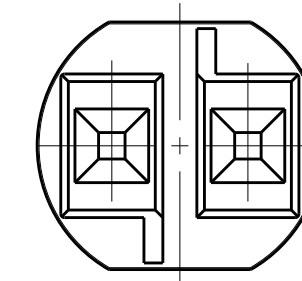
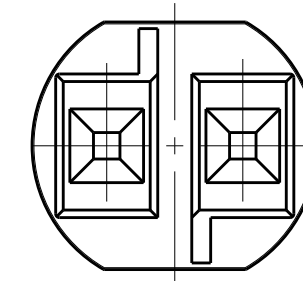
LOW VOLTAGE

Keying HV-1

Keying HV-2

Keying LV-1

Keying LV-2

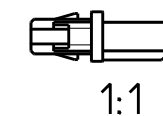
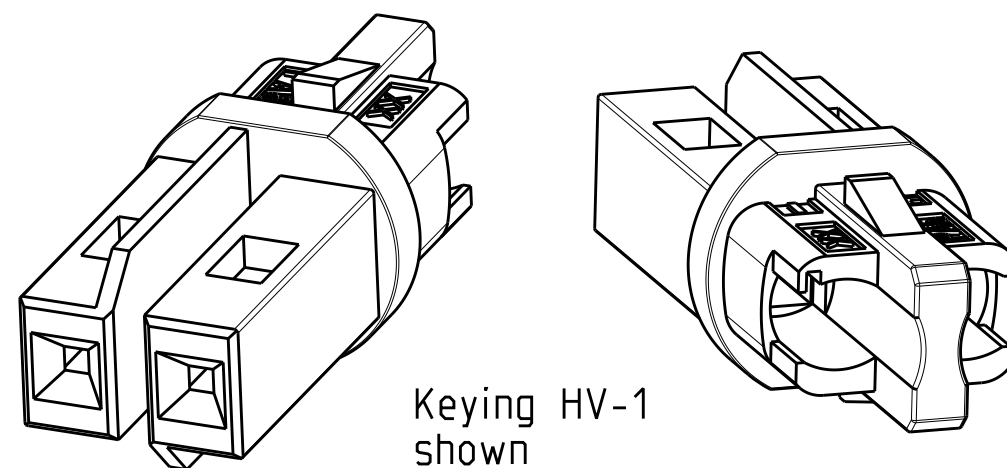


Remarks:

1. cavities designed for MQS socket contact PN 1740336-x
2. Counterpart is Outlet PN 1740262-x and corresponding products of the MiniHVL family

- △3 Polarity marking +/- permanent / usable for DC version
- △4 PN specific marking
- △5 OBSOLETE.

LV-2	LOW -VOLTAGE 125VAC /VDC	125VAC /VDC	YELLOW	0-1740449-2
LV-1	LOW -VOLTAGE 125VAC /VDC	125VAC /VDC	LIGHT GREY	0-1740449-1
HV-3	HIGH-VOLTAGE 125 V AC	6A/125V AC ~	BLUE	0-1740259-6
HV-2	Switch	max. 7A	RED	0-1740259-5
HV-1	HIGH-VOLTAGE 250V AC	2.5A/250V AC ~	BLACK (ANTHRACITE)	0-1740259-2
HV-1	HIGH-VOLTAGE 250V AC	2.5A/250V AC ~	NATURAL/WHITE	0-1740259-1
Keying	REMARKS	Marking △4	COLOR	PN



THIS DRAWING IS A CONTROLLED DOCUMENT.

DIMENSIONS: mm	TOLERANCES UNLESS OTHERWISE SPECIFIED: 0 PLC ±0.2 1 PLC ±0.2 2 PLC ±0.2 3 PLC ± 4 PLC ± ANGLES ±° FINISH	DWN H.AIZMANN 08FEB2005	TE Connectivity
		CHK OFENLOCH 08FEB2005	
MATERIAL PA 6		APVD BARTOSCH 08FEB2005	NAME NECTOR S CONNECTOR SYSTEM PLUG
		PRODUCT SPEC 108-94018	SIZE CAGE CODE DRAWING NO A2 00779 C-1740259
		APPLIC. SPEC 114-18751	RESTRICTED TO -
		WEIGHT 0.4 g	SCALE 5:1 SHEET 1 OF 1 REV J
		CUSTOMER DRAWING	

# Mouser Electronics

Authorized Distributor

Click to View Pricing, Inventory, Delivery & Lifecycle Information:

[TE Connectivity:](#)

[1740259-2](#)