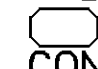
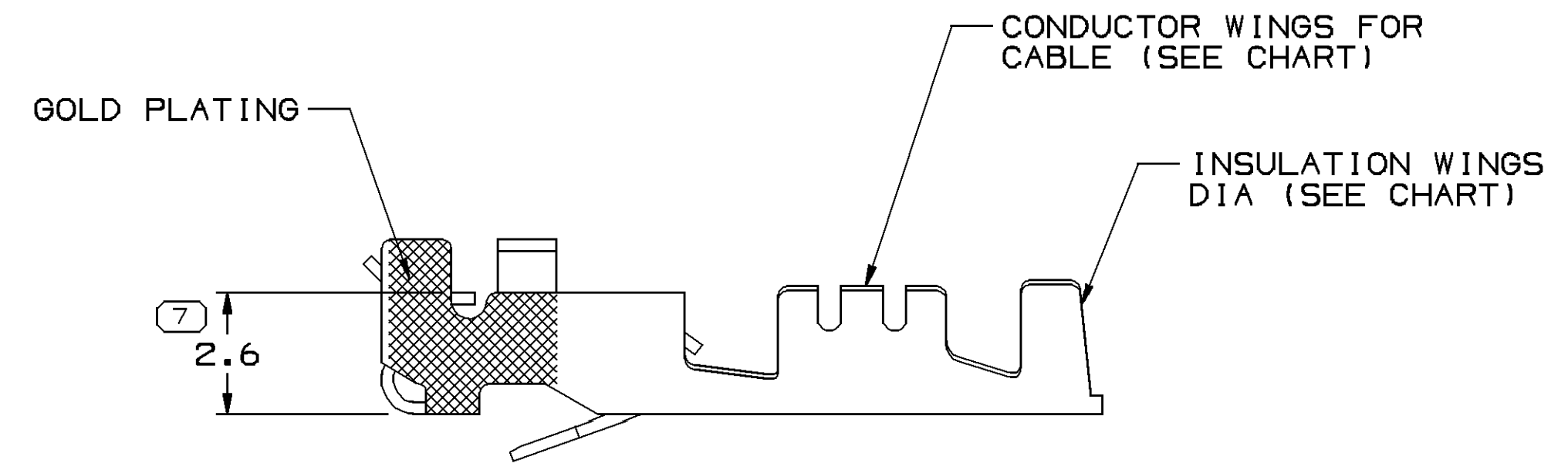
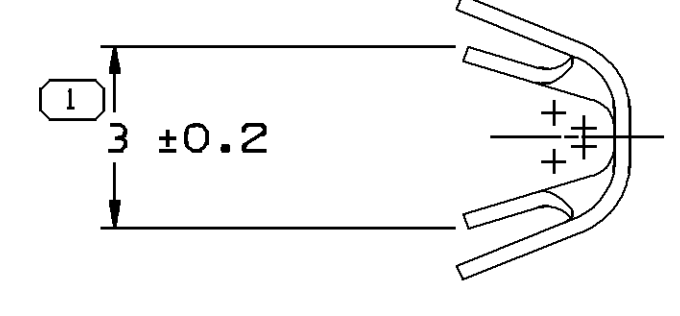
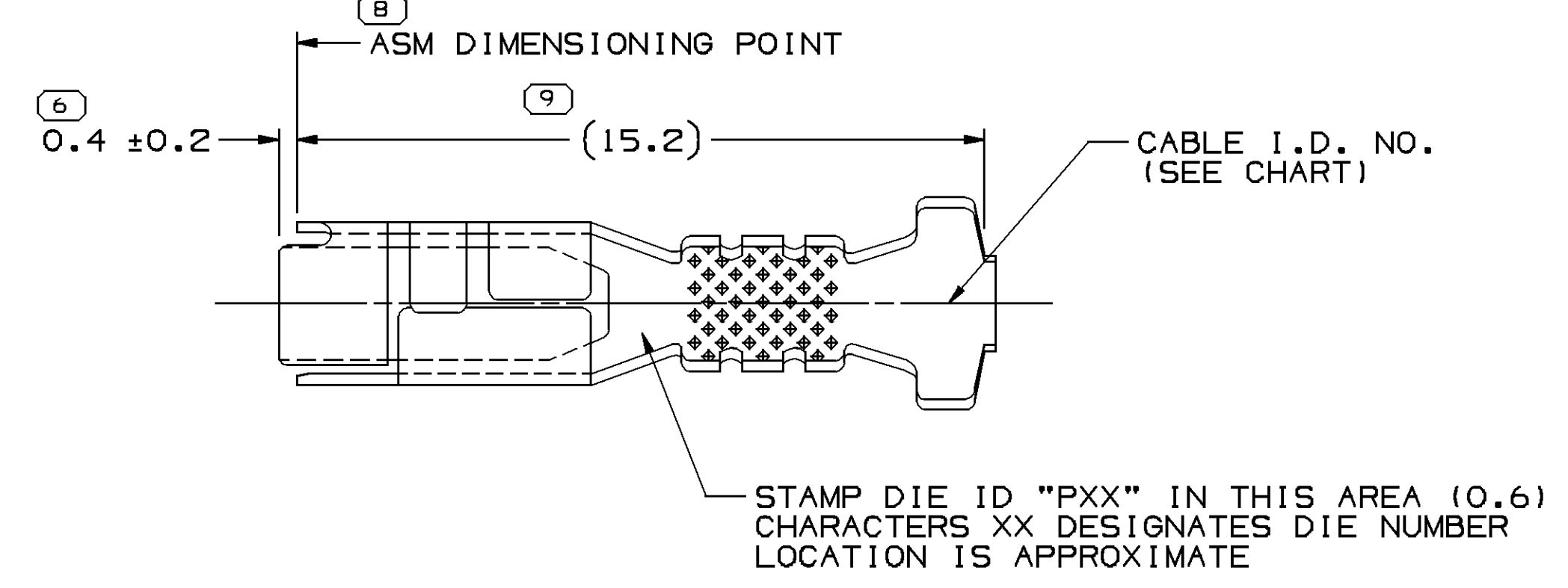
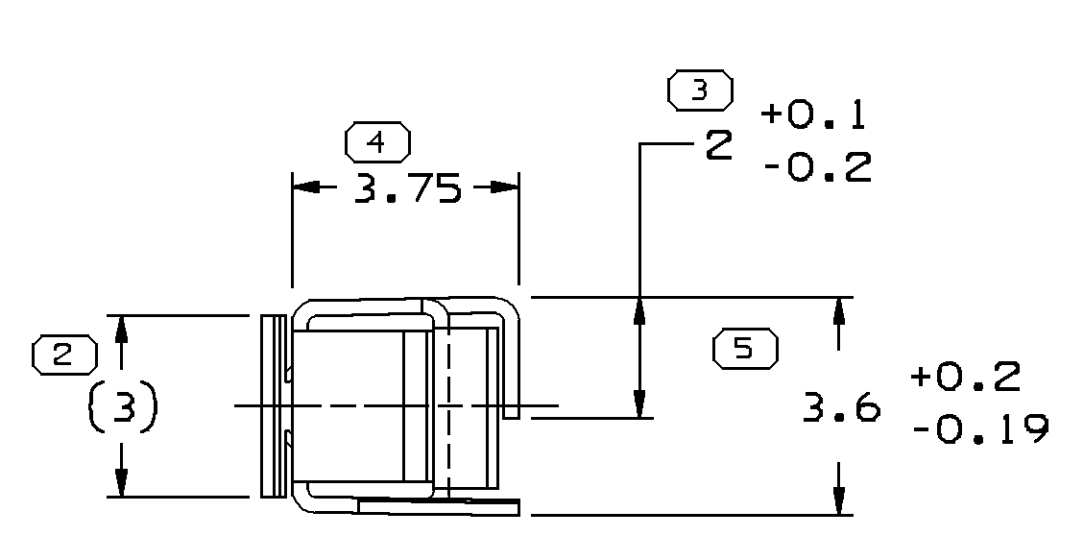


SYMBOL DEFINITION		
A DIMENSION WITHOUT AN INSPECTION REPORT SYMBOL  DOES NOT REQUIRE INSPECTION. IT MAY BE CONTROLLED ON THE INDIVIDUAL COMPONENT DRAWING.	TOTAL NO OF INSPECTIONS REQUIRED	9
	LAST NO. USED	9

MISSING SYMBOLS					DWG STATUS		ZONE		REVISION HISTORY		AUTH	DR	APVD1	APVD2
DATE	STG	REV	N/P	CHG										
31MR97	-	-	-	-	NO MISSING SYMBOL NUMBER					ALL PARTS: WAS SEPARATE "B" SIZE & REDRAWN, NO REV UPDATE REQ'D	177526		ELO	FKV
09SE97	-	-	-	-						ALL PARTS: PID UPDATE, NO REV UPDATE REQ'D	181361		MRG	JVS
09SE97	-	-	-	-						ALL PARTS: 3.60 +0.20/-0.19 WAS 3.80 MAX NO REV UPDATE REQ'D	181386		MRG	JVS
12DE03	R	03	-	-						ALL PARTS: REVISED LOCK TANG WIDTH	250021	MJM	MJM	TM
17MY04	R	04	-	-						ALL PARTS - SHEET 3 WAS SHEET 1 OF 1	253922	CCV	FRG	WTM
150C04	R	05	-	-						12110158 - ADDED TERMINAL ID NOTE AND REMOVED PXX FROM GRAPHICS	260003	CTR	JAA	MKM
19JA06	R	06	-	-						12110158 - UPDATED PDM ATTRIBUTES	276314	JBD	JAA	WTM



NOTES:

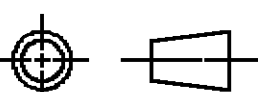
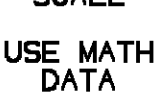
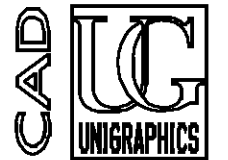
- RECOMMENDED MATING BLADE - WIDTH: 2.65±0.23  
THICKNESS: 0.86/0.79  
LENGTH: 7±0.1
- RECOMMENDED BLADE MATERIAL - MALE BLADE MATERIAL SHOULD HAVE AN ELECTRICAL CONDUCTIVITY ≥ 20% IACS AT 68°F. USE OF MATERIAL WITH CONDUCTIVITY < 20% IACS SHOULD BE APPROVED BY PACKARD ELECTRIC.
- TERMINAL USED IN 12065454 CONNECTOR OR EQUIVALENT.
- UNLESS OTHERWISE SPECIFIED AND/OR INDICATED: DIMENSIONS ARE TO FACE OF VIEW SHOWN AND AUTOMATICALLY ROUNDED BY COMPUTER FOR INSPECTION.
- DO NOT PROBE, TEST OR OTHERWISE CONTACT THE INTERIOR REGION (THE SPRING OR ANY MOVING PART) OF THIS TERMINAL. SEVERE DAMAGE CAN OCCUR, COMPROMISING THE PERFORMANCE OF THE ELECTRICAL INTERFACE.

PLATING NOTE:

- PART IS SELECTIVELY GOLD, NICKEL & TIN PLATED.

12110158	03	AC		PMO03633-AN4	1-0.8-0.5	60	2.4-2.03
12084906	C	-	OBSOLETE	PMO03620-AN4	1-0.8-0.5	60	2.4-2.03
PART NO	REV	N/P	STATUS	MAT'L SPEC	SIZE (MM <sup>2</sup> )	I.D.	DIA
PLATED						CABLE	

(N/A) PROCESS SENSITIVE DIMENSION	
DIMENSIONS ENCLOSED IN ( ) INDICATE REFERENCE DIMENSIONS AND NO TOLERANCE LIMITS ARE ESTABLISHED	
DIMENSIONAL RANGE (MM)	CHART D
FROM 0	>12
TO 12	
TOLERANCE UNLESS OTHERWISE SPECIFIED	
±0.1	±0.2
ANGULAR TOLERANCE ±2°	

DWG TYPE		PART DRAWING	
STYLE			
VOLUME (QTY)	DISTR CODE		
	D		
UNLESS OTHERWISE SPECIFIED			
THIS DOCUMENT IS IN ACCORDANCE WITH ASME Y14.5M-1994 AS AMENDED BY THE 3M GLOBAL DIMENSIONING AND TOLERANCING ADDENDUM-2001. SEPARATE PATTERNS OF FEATURES MAY BE DATED SEPARATELY REGARDLESS OF DATUM REFERENCES.			
ALL DIMENSIONS ARE IN MILLIMETERS			
REFERENCE			
THIRD ANGLE PROJECTION	DO NOT SCALE	UNIGRAPHICS	
			
USE MATH DATA			

<b>DELPHI</b>			
DELPHI PACKARD ELECTRIC SYSTEMS WARREN, OH			
DR	DATE		
APVD1	E. LUQUENO	31MR97	
APVD2	FCO. KOPCA	02AP97	
APVD3	O. GALLEGOS	22AP97	
APVD4			
APVD5			
SUBSTANCES OF CONCERN AND RECYCLED CONTENT PER DELPHI 10949001			
MATERIAL SEE CHART			
DRAWING NAME			
TAXI TERM F M/P 280.1 TANG			
DRAWING NUMBER			
12059227			
SIZE	SCALE	FRAME NO	SHEET NO
A1	8:1	1 OF 1	3 OF 3
STG	REV	N/P	
R	06	-	

# Mouser Electronics

Authorized Distributor

Click to View Pricing, Inventory, Delivery & Lifecycle Information:

[Aptiv:](#)

[12110158-L](#)