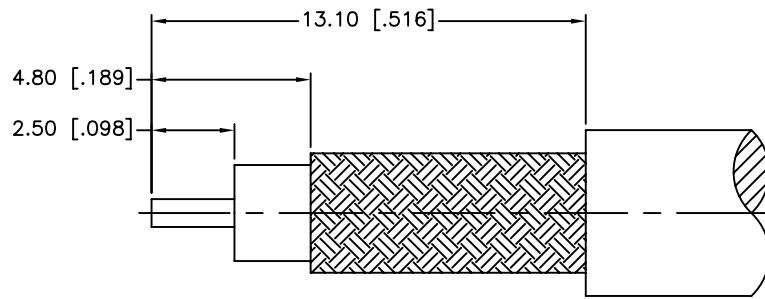
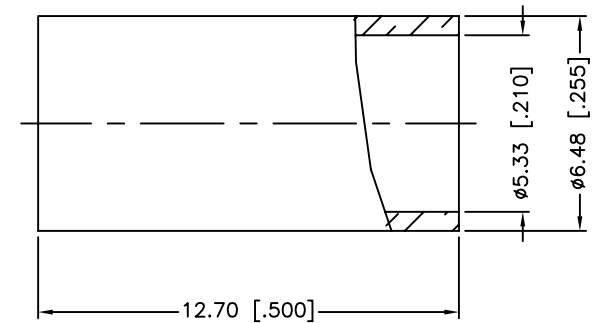
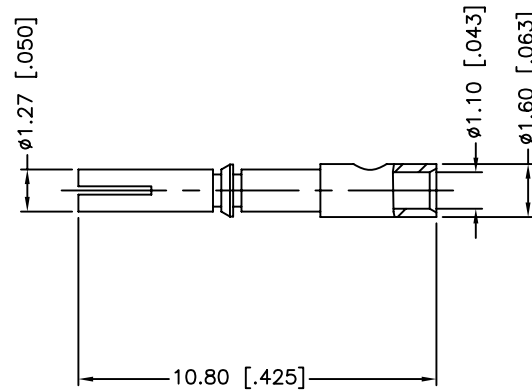
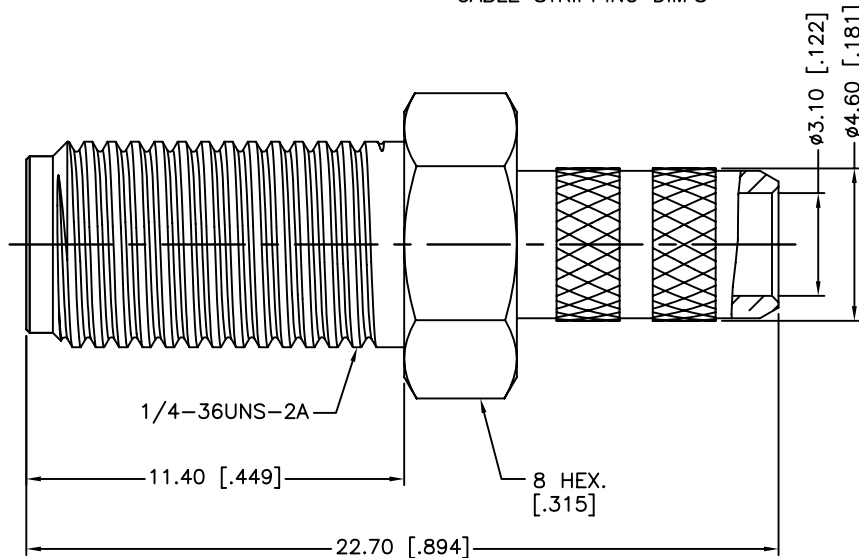
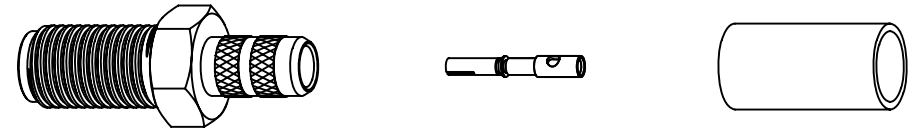


REV.	DATE	ECR NO.	DESCRIPTION
NC	10/10/07	XXXXXX	INITIAL RELEASE
A	10/18/11	2232	CHANGE THE CENTER CONTACT



RECOMMENDED  
CABLE STRIPPING DIM'S



1. IMPEDANCE: 50 OHM
2. FREQUENCY RANGE: DC 0-12.4 GHZ
3. DIELECTRIC WITHSTANDING VOLTAGE: 1000 VRMS, MIN.
4. CRIMPED FERRULE  
HEX CRIMP SIZE .213"
5. CONTACT PIN TO SOLDER

QTY	DESCRIPTION	MATERIAL	FINISH
1	FERRULE	COPPER	GOLD
3	CONTACT PIN	BER. COPPER	GOLD
2	INSULATOR	PTFE	NATURAL
1	BODY	BRASS	GOLD

UNLESS OTHERWISE SPECIFIED DIMENSIONS ARE IN MILLIMETERS. DIMENSIONS IN [ ] ARE IN INCHES AND FOR CUSTOMER REFERENCE ONLY.

UNLESS OTHERWISE SPECIFIED TOLERANCES FOR MILLIMETERS ARE:  
0.5 - 8mm ± 0.20mm  
8 - 30mm ± 0.40mm  
30 - 120mm ± 0.50mm

UNLESS OTHERWISE SPECIFIED TOLERANCES FOR INCHES ARE:  
.020 - .315 ± 0.007"  
.315 - 1.180 ± 0.015"  
1.180 - 4.724 ± 0.020"

DO NOT SCALE DRAWING

APPROVALS	DATE
DRAWN M.ZHANG	10/18/11
CHECKED	
ISSUED	
SHEET 1 OF 1	
CAD FILE C:/CONNEX/132116.DWG	

<b>Amphenol Connex</b>			
PART DESCRIPTION			
SMA CRIMP JACK (FOR RG-58C/U, 58/U CABLE)			
PART NO.			
132116			
DWG. NO.	132116.DWG	REV.	A
SIZE	A	SCALE	NA

# Mouser Electronics

Authorized Distributor

Click to View Pricing, Inventory, Delivery & Lifecycle Information:

[Amphenol:](#)

[132116](#)