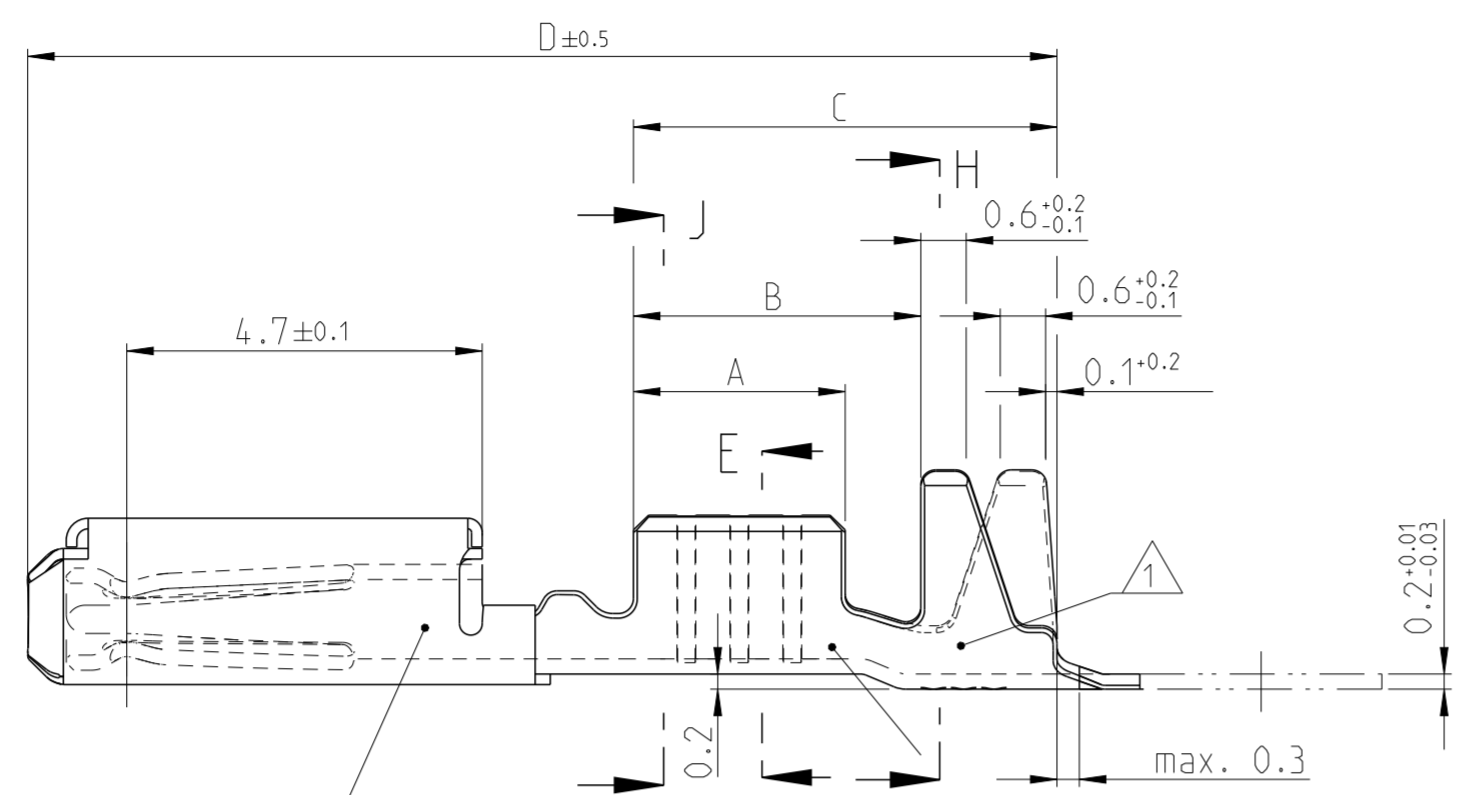
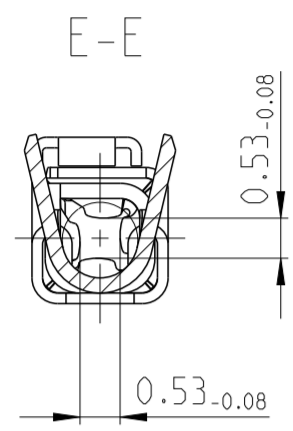


THIS DRAWING IS UNPUBLISHED. RELEASED FOR PUBLICATION 2009  
 © COPYRIGHT 2009 ALL RIGHTS RESERVED.

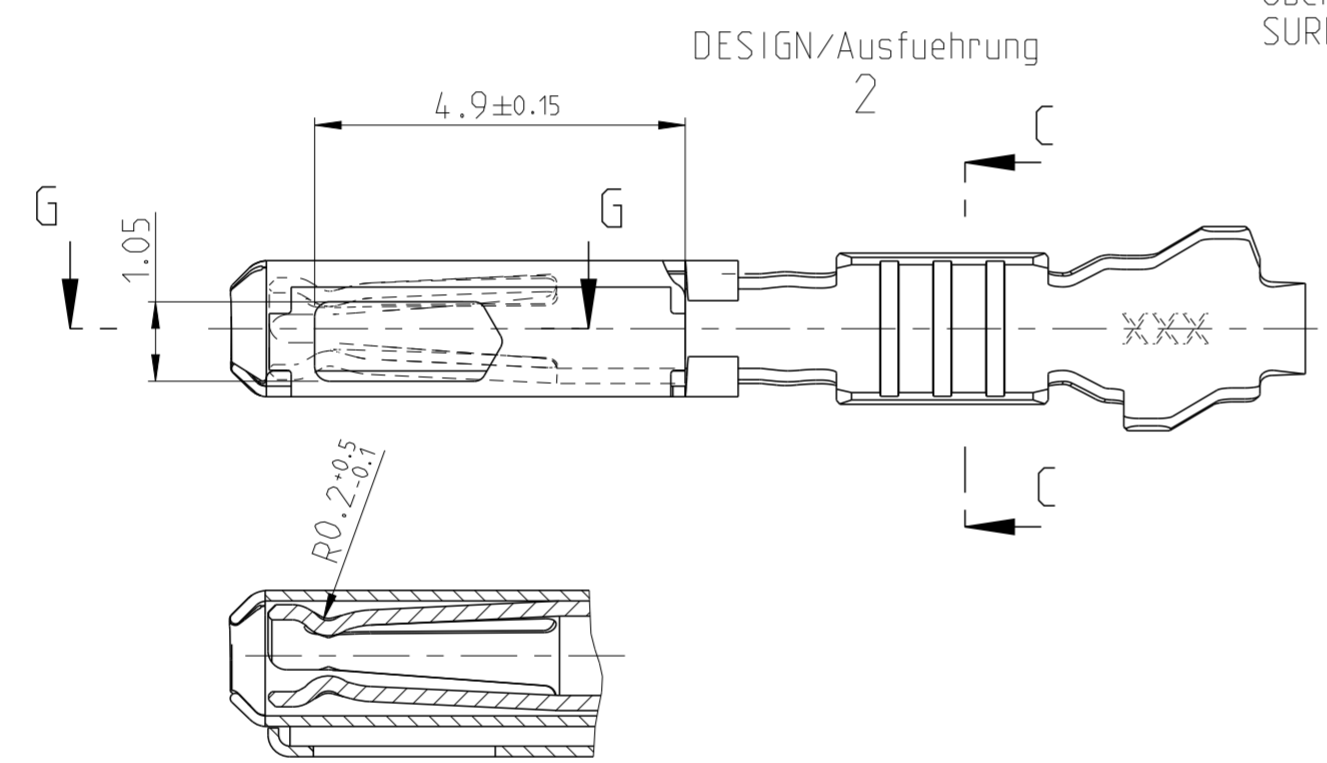
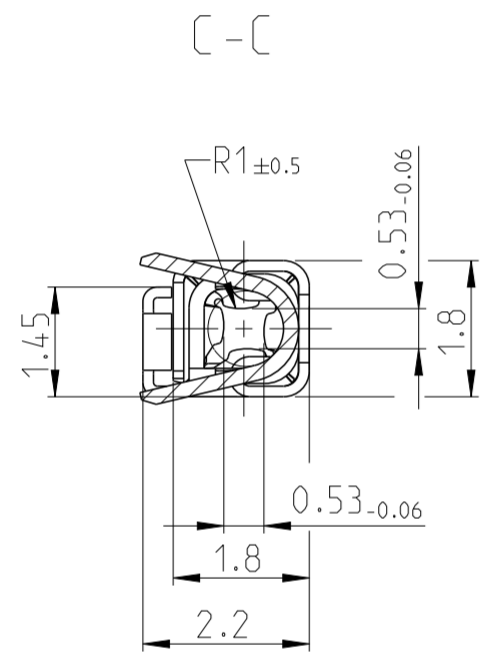
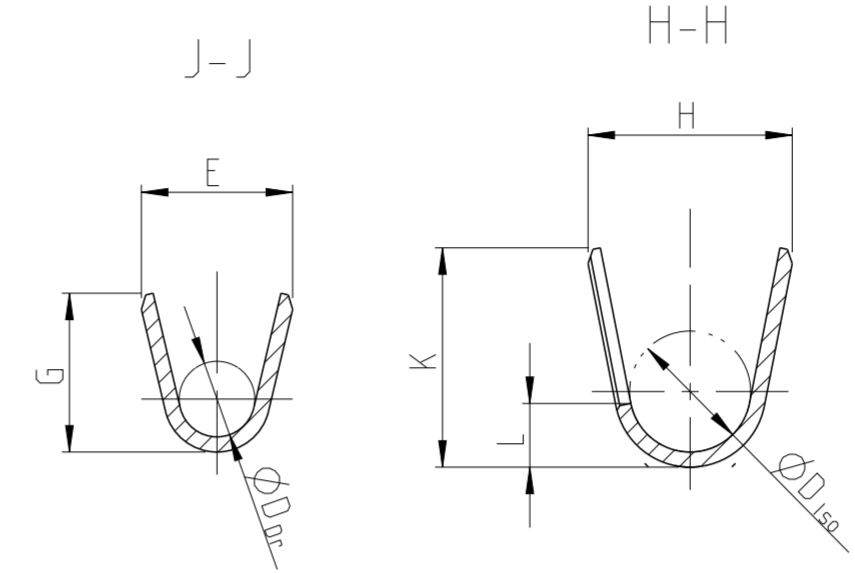
REVISIONS					
P	LTR	DESCRIPTION	DATE	DWN	APVD
C7		ECR-12-016335	17SEP2012	Abr	Brun
C8		ECR-12-017726	11OCT2012	Abr	Brun
C9		ECR-13-015135	26SEP2013	Abr	Brun
C10		NOTE 6 ADDED. ECR-15-007039	06MAY2015	Abr	Brun

GOLD VERSION  
Vergoldete Ausfuehrung

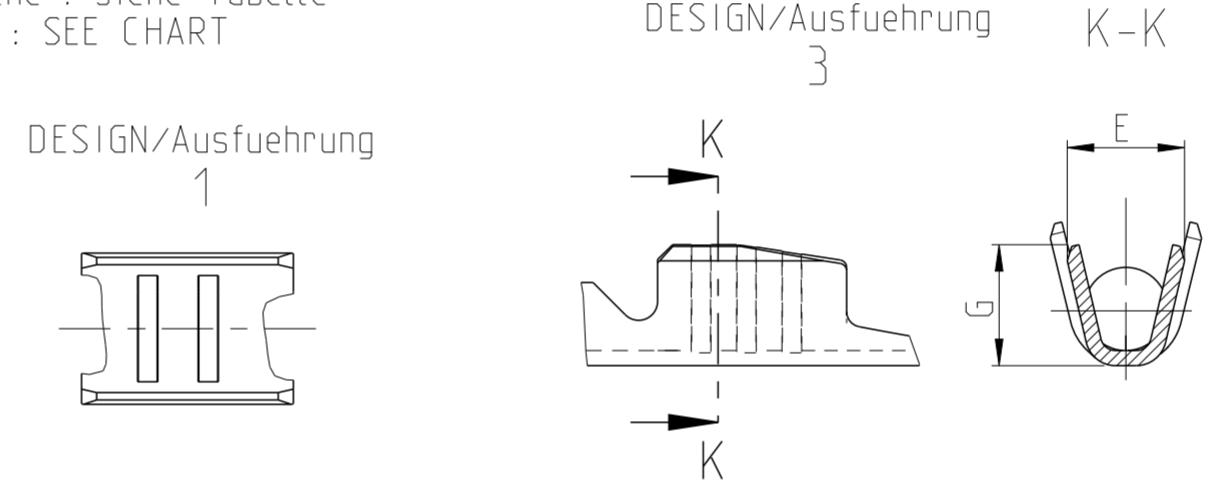


SPRING / Ueberfeder  
MATERIAL : X10CrNi 188  
SURFACE / Oberflaeche : blank

BODY / Kontaktkoerper  
MATERIAL : CuNiSi F57  
Oberflaeche : siehe Tabelle  
SURFACE : SEE CHART

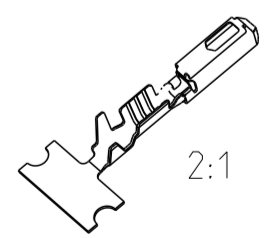
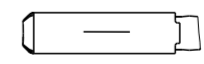


G-G  
WITHOUT SPRING  
ohne Ueberfeder



NOTES  
Bemerkungen

- 1 DATE-CODE (WEK/YEAR (E.G. WEEK NUMBER 30/ YEAR 2011)) AND TE REVISION (E.G. REV. A)  
Datumscode (Woche / Jahr, z.B. KW30/ Jahr 2011) und TE-Revision (z.B.Rev.A)
- 2 SUITABLE FOR PIN CONTACT SEE DRAWING: TE: 929453  
Passend zu Stiftkontakt siehe Zeichnung: TE: 929453
- 3 DETAILS OF DESIGN ARE LEFT TO MANUFACTURER  
Einzelheiten der Ausfuehrung bleiben dem Hersteller ueberlassen
- 4 FOR FLR-CONDUCTOR ACCORDING TO DIN 72551-6 ONLY  
Nur fuer FLR-Leitung nach DIN 72551, Teil 6
- 5 NOT FOR NEW APPLICATION  
nicht fuer Neuanwendung
- 6 Bei doppelt fallenden Werkzeugen wird die erste Ueberfeder mit einer Kennzeichnung "-" versehen  
WITH DOUBLE OUT DIES THE FIRST SPRING WILL BE PROVIDED WITH AN INDICATION "-"



ODER NO. DESIGN	ODER NO. DESIGN	REV.	ODER NO. DESIGN	REV.	WIRE SIZE RANGE	SURFACE	LENGTH	WIRE CRIMP	INSU. CRIMP
Bestell-Nr. Ausfuehrung	Bestell-Nr. Ausfuehrung		Bestell-Nr. Ausfuehrung		DGB	Oberflaeche	Laenge	Drahtcrimp	Iso' crimp
2	3		1	5	mm <sup>2</sup>		DIMENSIONS/ Abmessungen mm		
5-968221-6		A	968221-6	A	0.5-0.75	Ag	A = 2.8 B = 3.8 C = 5.6 D = 13.7	E = 2 G = 2 D <sub>Dr</sub> = 1	H = 2.7 K = 2.9 L = 0.7 D <sub>Iso</sub> = 1.6
5-968221-5		A	968221-5	C		Au			
5-968221-1		A	968221-1	C		Sn			
5-968220-6		A	968220-6	C	0.2-0.35	Ag	A = 2.5 B = 3.6 C = 5.6 D = 13.7	E = 1.8 G = 1.8 D <sub>Dr</sub> = 0.8	H = 2.3 K = 2.3 L = 0.6 D <sub>Iso</sub> = 1.4
5-968220-5		A	968220-5	C		Au			
5-968220-1		A	968220-1	C		Sn			
<del>2208453-6</del>		A			0.08-0.22	Ag	A = 2.5 B = 3.7 C = 5.4 D = 13.7	E = 1.6 G = 1.6	H = 2 K = 1.9 D <sub>Iso</sub> = 1.1
<del>2208453-5</del>		A				Au			
<del>2208453-1</del>		A				Sn			

THIS DRAWING IS A CONTROLLED DOCUMENT.

DWN Abraham.G. 06AUG2003  
CHK Kampmann.H. 07AUG2003

**STE** TE Connectivity

NAME: MQS CLEAN BODY  
Productgroup Drawing Socket Contact  
Produktgruppenzeichnung, Buchsenkontakt

APPLICATION SPEC: 108-18030  
114-18021

SIZE: A2  
CAGE CODE: 00779  
DRAWING NO: C-1355900

RESTRICTED TO: -

Customer Drawing SCALE 10:1 SHEET 1 OF 1 REV. C10

# Mouser Electronics

Authorized Distributor

Click to View Pricing, Inventory, Delivery & Lifecycle Information:

[TE Connectivity:](#)

[968220-1](#) [968220-1 \(Mouser Reel\)](#) [968220-1 \(Cut Strip\)](#)