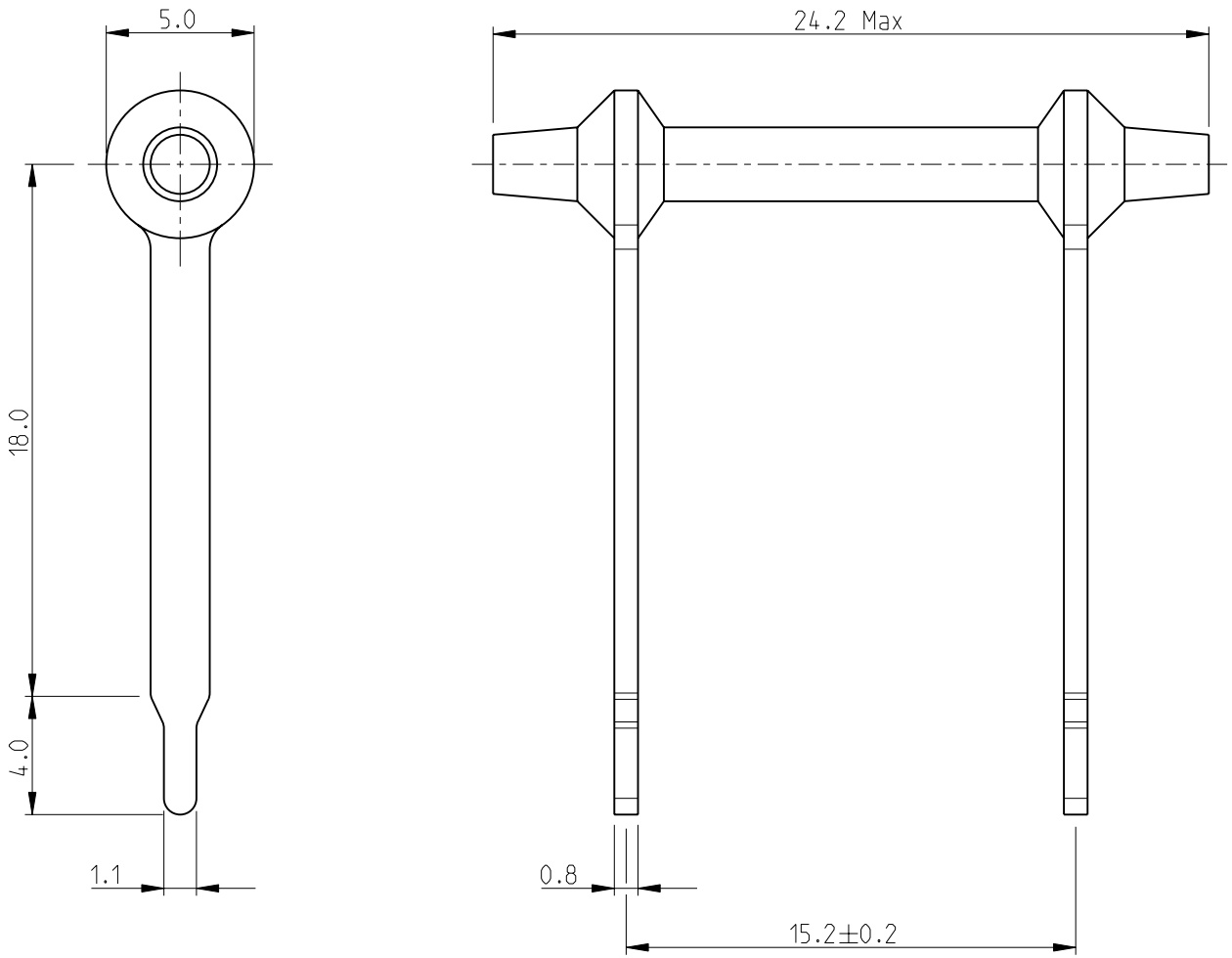
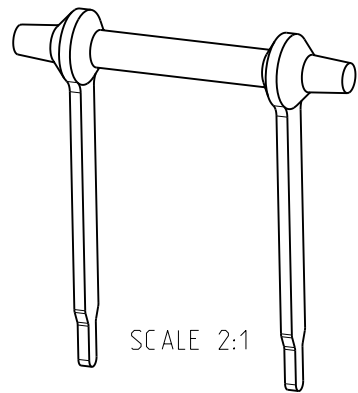


LOC	DIST	REVISIONS					
E	B	P	LTR	DESCRIPTION	DATE	DWN	APVD
		BA1		REVISED PER ECO-11-005150	29MAR2011	RK	HMR


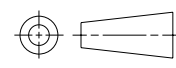


FOR FURTHER INFORMATION SEE DATA SHEET FOR SERIES FC- HIGH POWER RESISTORS

RoHS Compliant



2009
 RELEASED FOR PUBLICATION
 ALL RIGHTS RESERVED.
 BY -
 COPYRIGHT 2009
 THIS DRAWING IS UNPUBLISHED.

DIMENSIONS: mm	DWN	SUBHASH.M	05-AUG-09	MATERIAL	-	FINISH	-
	CHK	ALLAN.P	05-AUG-09	APVD	STEPHEN.P	 TE Connectivity	
TOLERANCES UNLESS OTHERWISE SPECIFIED:	PRODUCT SPEC	-	APVD	STEPHEN.P	NAME		
	0 PLC	± 0.5	APPLICATION SPEC	-	HIGH POWER RESISTORS		
1 PLC	± 0.2	WEIGHT	-	SIZE	A 4	CAGE CODE	00779
2 PLC	± 0.1		RESTRICTED TO	DRAWING NO	C= 1623714		-
3 PLC	± -		CUSTOMER DRAWING	SCALE	4:1	SHEET	1 OF 1
4 PLC	± -						BA1
ANGLES	± 5°						

Mouser Electronics

Authorized Distributor

Click to View Pricing, Inventory, Delivery & Lifecycle Information:

[TE Connectivity:](#)

[FCB410RJ](#)