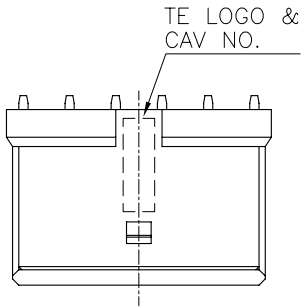
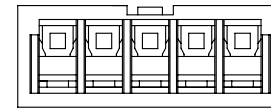
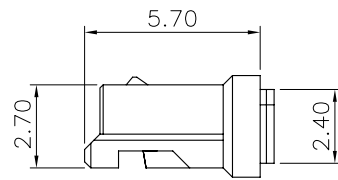
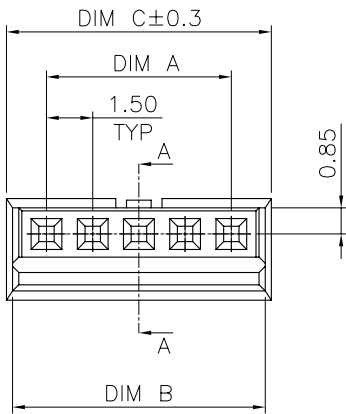
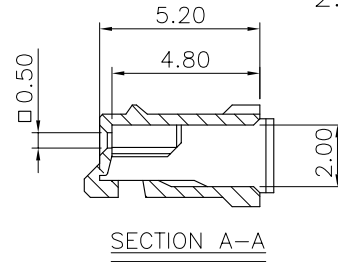


| LOC | | DIST | | REVISIONS | | | |
|-----|-----|-------------------------|--|-----------|-----|------|--|
| P | LTR | DESCRIPTION | | DATE | DWN | APVD | |
| B | | REVISED (ECR-11-024441) | | 02DEC11 | JL | WK | |

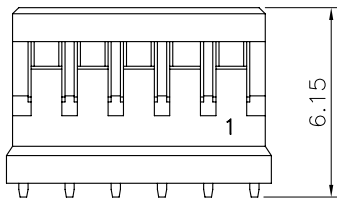


NOTES:

- MATERIALS:
HOUSING: THERMOPLASTIC, UL 94-V0, COLOR: NATURAL.
- APPLY TERMINAL PART NO: 1775442-1.



| | | | | |
|------------|-------|-------|------|-------------|
| 23.60 | 23.20 | 21.00 | 15 | 1-1775441-5 |
| 22.10 | 21.70 | 19.50 | 14 | 1-1775441-4 |
| 20.60 | 20.20 | 18.00 | 13 | 1-1775441-3 |
| 19.10 | 18.70 | 16.50 | 12 | 1-1775441-2 |
| 17.60 | 17.20 | 15.00 | 11 | 1-1775441-1 |
| 16.10 | 15.70 | 13.50 | 10 | 1-1775441-0 |
| 14.60 | 14.20 | 12.00 | 9 | 1775441-9 |
| 13.10 | 12.70 | 10.50 | 8 | 1775441-8 |
| 11.60 | 11.20 | 9.00 | 7 | 1775441-7 |
| 10.10 | 9.70 | 7.50 | 6 | 1775441-6 |
| 8.60 | 8.20 | 6.00 | 5 | 1775441-5 |
| 7.10 | 6.70 | 4.50 | 4 | 1775441-4 |
| 5.60 | 5.20 | 3.00 | 3 | 1775441-3 |
| 4.10 | 3.70 | 1.50 | 2 | 1775441-2 |
| C | B | A | POS. | PART NUMBER |
| DIMENSIONS | | | | |



| | | | | |
|---|--|--|---------------------------------------|--------------------|
| THIS DRAWING IS A CONTROLLED DOCUMENT. | | DWN J. LAI 19AUG2009 | TE Connectivity | |
| DIMENSIONS: MM | | CHK S. CHIEN 19AUG2009 | | |
| TOLERANCES UNLESS OTHERWISE SPECIFIED: | | APVD W. KODAMA 19AUG2009 | NAME | |
| 0 PLC ± - 1 PLC ± 0.25 2 PLC ± 0.15 3 PLC ± 0.10 4 PLC ± - ANGLES ± 3° | | PRODUCT SPEC 108-57631 | EMIX CONN., 1.5mm PITCH RCPT, HOUSING | |
| MATERIAL SEE NOTE | | QUALIFICATION TEST REPORT 501-57736 | SIZE A3 | CAGE CODE 00779 |
| FINISH SEE NOTE | | WEIGHT - GRAMS | DRAWING NO G=1775441 | RESTRICTED TO - |
| CUSTOMER DRAWING | | | SCALE - | SHEET 1 OF 2 |
| | | | REV B | |

4

3

2

1

THIS DRAWING IS UNPUBLISHED.

RELEASED FOR PUBLICATION

AUG., 2006.

© COPYRIGHT 2009

BY TYCO ELECTRONICS CORPORATION.

ALL RIGHTS RESERVED.

LOC

DIST

REVISIONS

DW

P

LTR

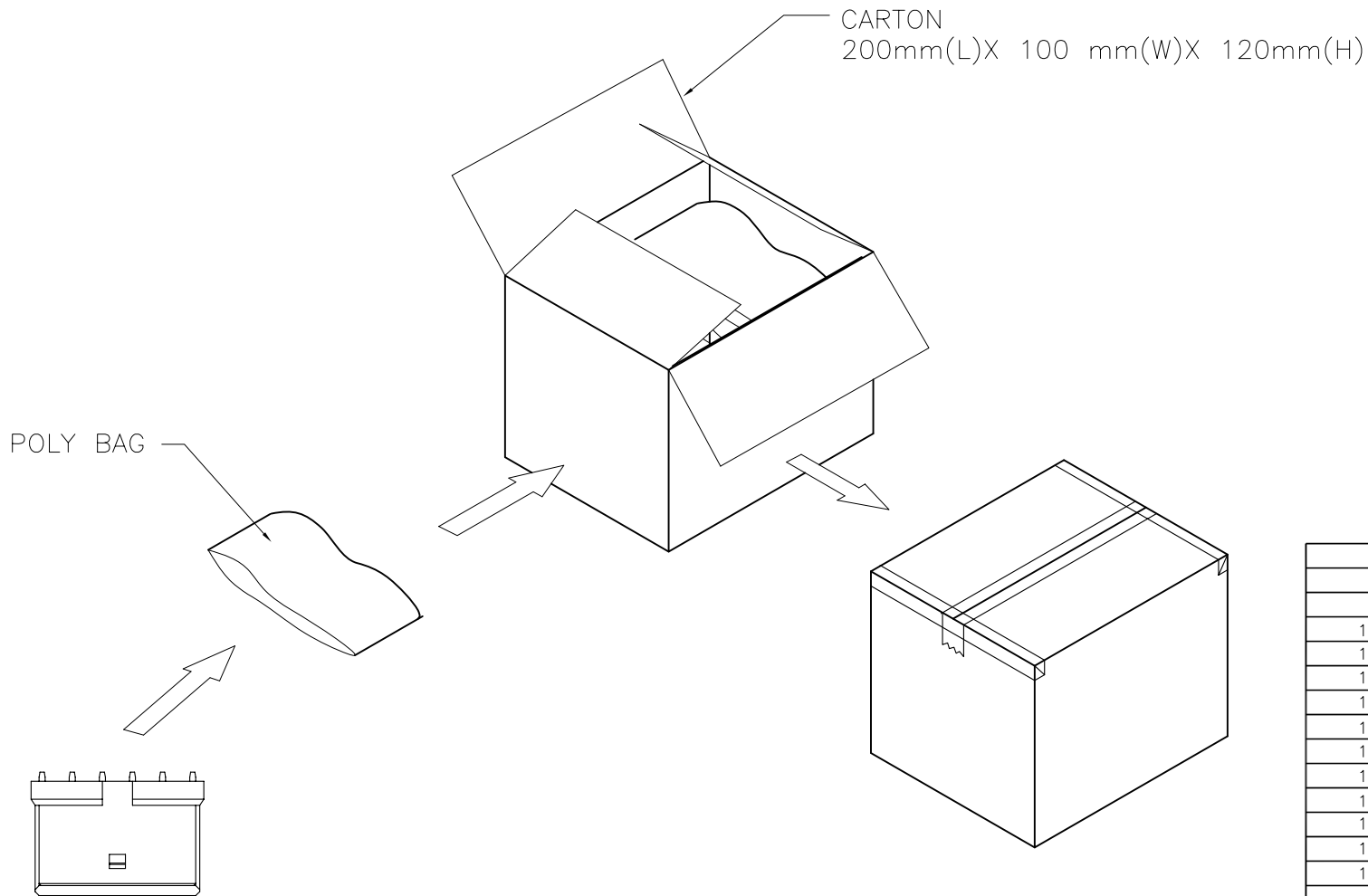
DESCRIPTION

DATE

DWN

APVD

SEE SHEET 1.



| | | | |
|---------------------|------------------|------|-------------|
| 8,000 | 1,000 | 15 | 1-1775441-5 |
| 8,000 | 1,000 | 14 | 1-1775441-4 |
| 8,000 | 1,000 | 13 | 1-1775441-3 |
| 10,000 | 1,000 | 12 | 1-1775441-2 |
| 10,000 | 1,000 | 11 | 1-1775441-1 |
| 10,000 | 1,000 | 10 | 1-1775441-0 |
| 12,000 | 1,000 | 9 | 1775441-9 |
| 12,000 | 1,000 | 8 | 1775441-8 |
| 12,000 | 1,000 | 7 | 1775441-7 |
| 12,000 | 1,000 | 6 | 1775441-6 |
| 12,000 | 1,000 | 5 | 1775441-5 |
| 12,000 | 1,000 | 4 | 1775441-4 |
| 12,000 | 1,000 | 3 | 1775441-3 |
| 12,000 | 1,000 | 2 | 1775441-2 |
| APQ (PCS/CARTON) | PPQ (PCS/BAG) | POS. | PART NUMBER |

THIS DRAWING IS A CONTROLLED DOCUMENT.

| | | | |
|-------------------|--------|--|-----|
| DIMENSIONS: MM | | TOLERANCES UNLESS OTHERWISE SPECIFIED: | |
| | | 0 PLC | ± - |
| | | 1 PLC | ± - |
| | | 2 PLC | ± - |
| | | 3 PLC | ± - |
| | | 4 PLC | ± - |
| | | ANGLES | ± - |
| MATERIAL | FINISH | WEIGHT | |
| | | | |

| | |
|------------------|------|
| CHK | DWN |
| APVD | NAME |
| PRODUCT SPEC | |
| APPLICATION SPEC | |
| WEIGHT | |
| CUSTOMER DRAWING | |

STE TE Connectivity

EMIX CONN., 1.5mm PITCH RCPT, HOUSING

| | | | |
|------|-----------|------------|---------------|
| SIZE | CAGE CODE | DRAWING NO | RESTRICTED TO |
| A3 | 00779 | G=1775441 | |

SCALE: - SHEET: 2 OF 2 REV: B