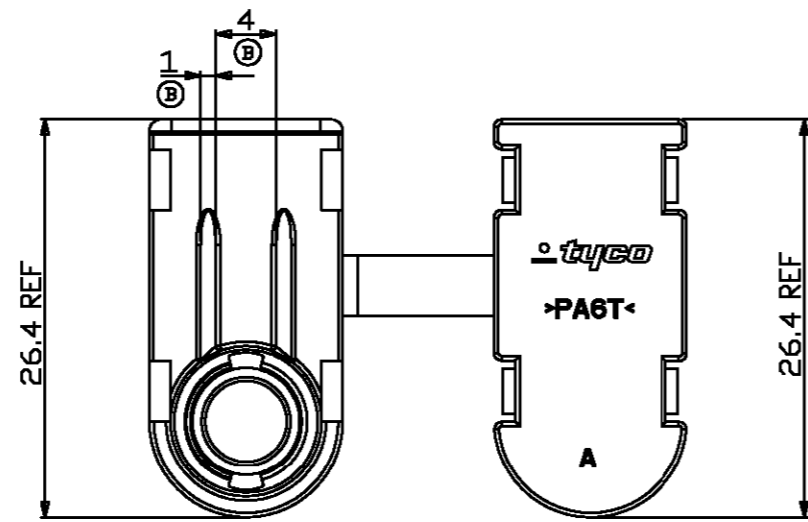
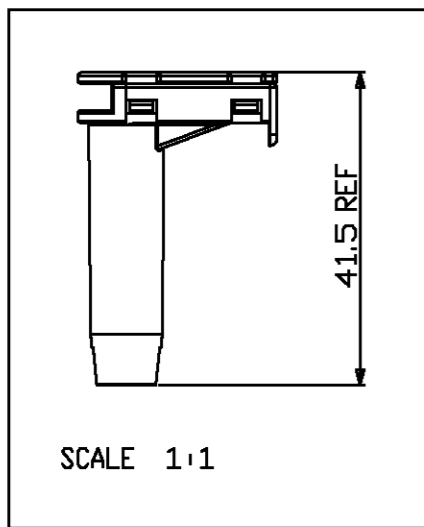
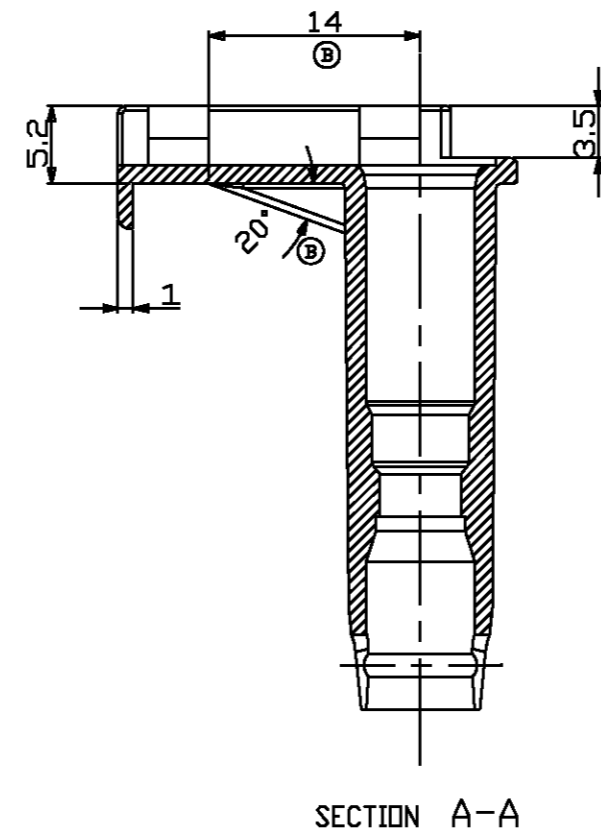
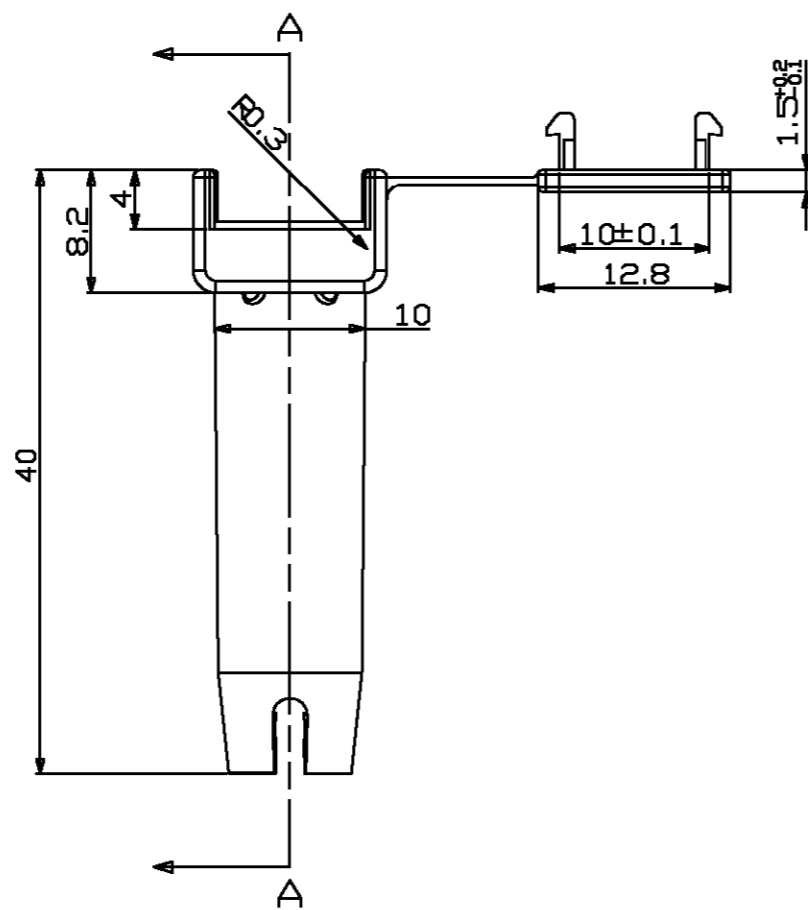
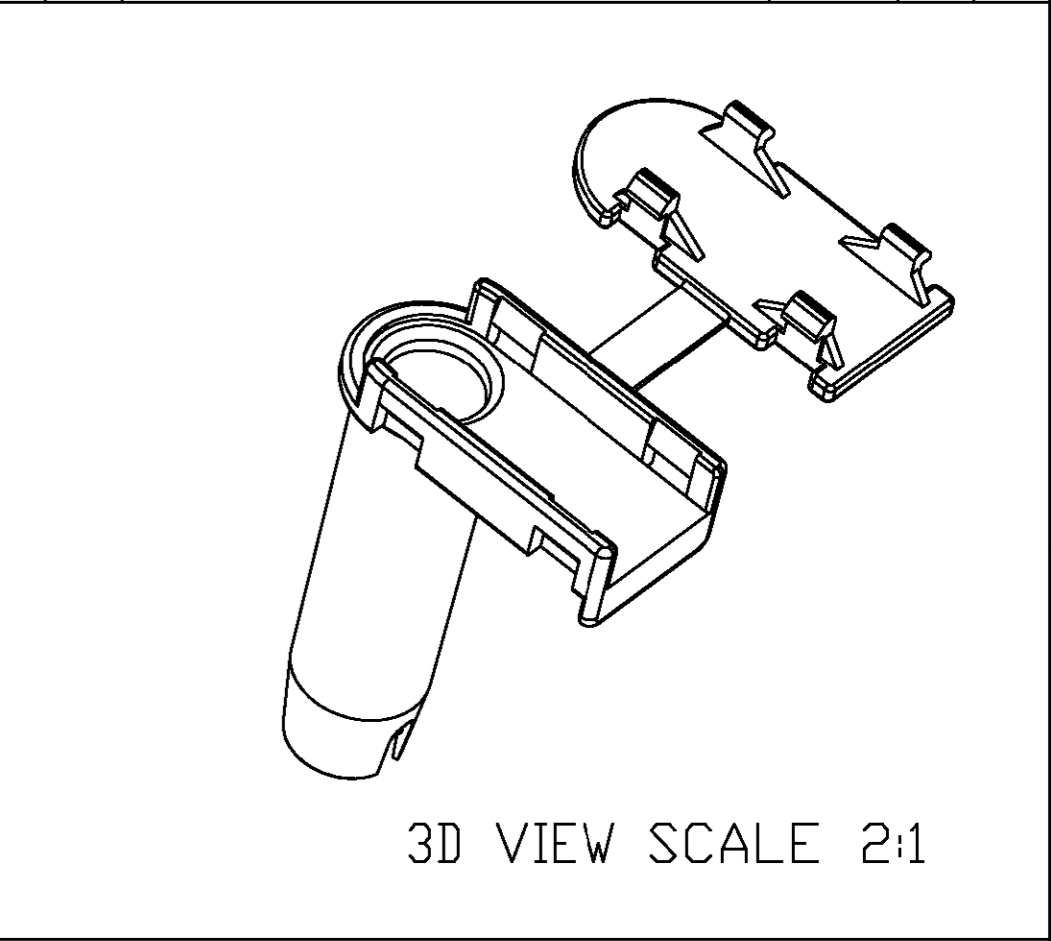
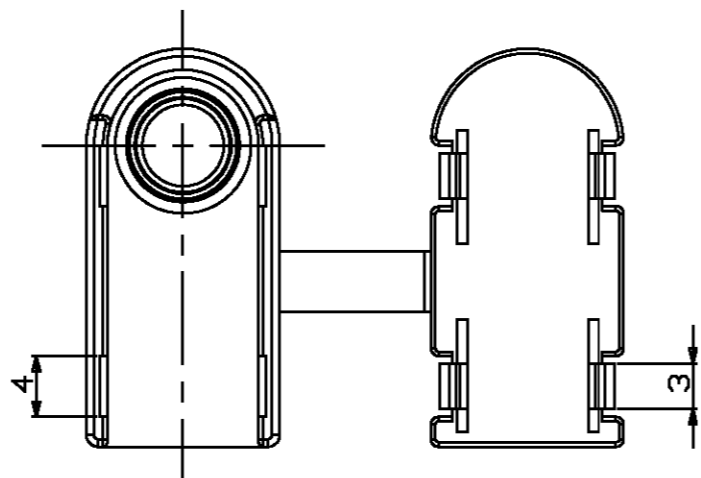


THIS DRAWING IS UNPUBLISHED. RELEASED FOR PUBLICATION
 © COPYRIGHT BY TYCO ELECTRONICS CORPORATION, ALL RIGHTS RESERVED.

REVISIONS					
P	LTR	DESCRIPTION	DATE	DWN	APVD
A		RELEASED	03.FEB.'06	CH	JK
B		REVISED (ECR-06-003529)	01.MAR.'06	CH	JK



NOTE
 1. GENERAL TOLERANCE : ±0.3, ±3°

1743550-2	GLOW PLUG 1P CONN'R	PA6T	BLACK
P/N	DESCRIPTION	MATERIAL	COLOR

<small>THIS DRAWING IS A CONTROLLED DOCUMENT. THE TYCO ELECTRONICS CORPORATION IT IS UNLAWFUL TO REPRODUCE, COPY, OR TRANSMIT THIS DOCUMENT IN ANY FORM OR BY ANY MEANS WITHOUT THE WRITTEN PERMISSION OF TYCO ELECTRONICS CORPORATION. SHOULD BE CONTACTED FOR THE LATEST REVISION.</small>		DWN CHK APVD PRODUCT SPEC APPLICATION SPEC WEIGHT	NAME AMP KOREA kyungson, korea
DIMENSIONS: MM 3rd ANGLE PROJECTION MATERIAL SEE TABLE	TOLERANCES UNLESS OTHERWISE SPECIFIED 0 PLC ± 1 PLC ± 2 PLC ± 3 PLC ± 4 PLC ± ANGLES ± FINISH	NAME tyco Electronics GLOW PLUG 1P CONN'R	SIZE A2
CUSTOMER DRAWING		CAGE CODE 00779	DRAWING NO 1743550
SCALE 2:1		SHEET 1 OF 1	REV B

Mouser Electronics

Authorized Distributor

Click to View Pricing, Inventory, Delivery & Lifecycle Information:

[TE Connectivity:](#)

[1743550-2](#)