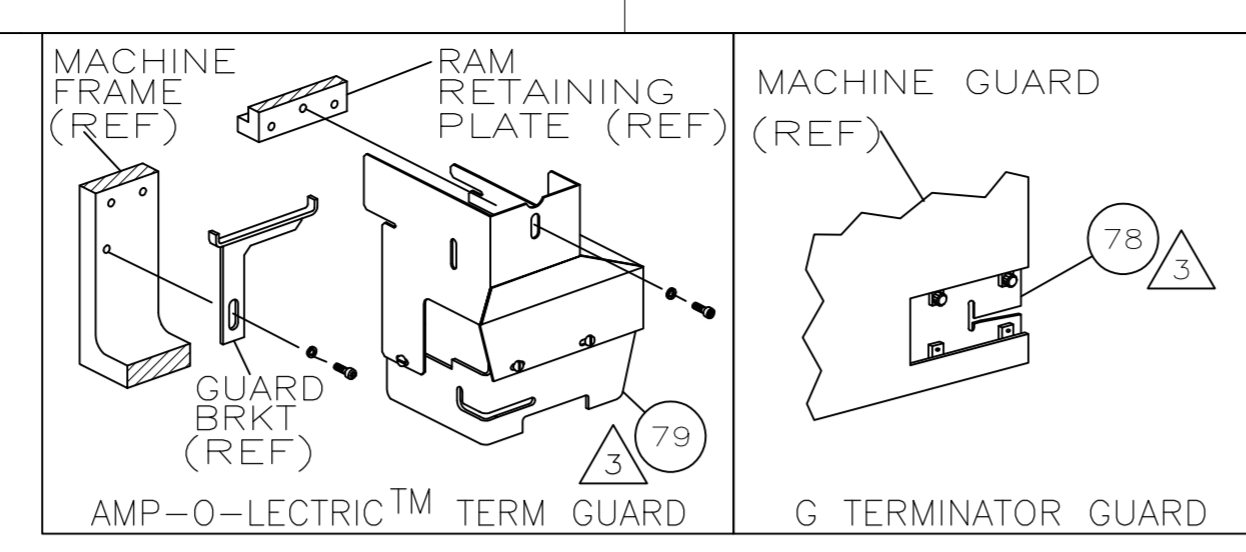


THIS DRAWING IS UNPUBLISHED.		RELEASED FOR PUBLICATION	
ALL RIGHTS RESERVED.			
PART NUMBER	REV	FIRST USED	
1852123-1	B	122500-1	
1852123-2	B	565435-5	

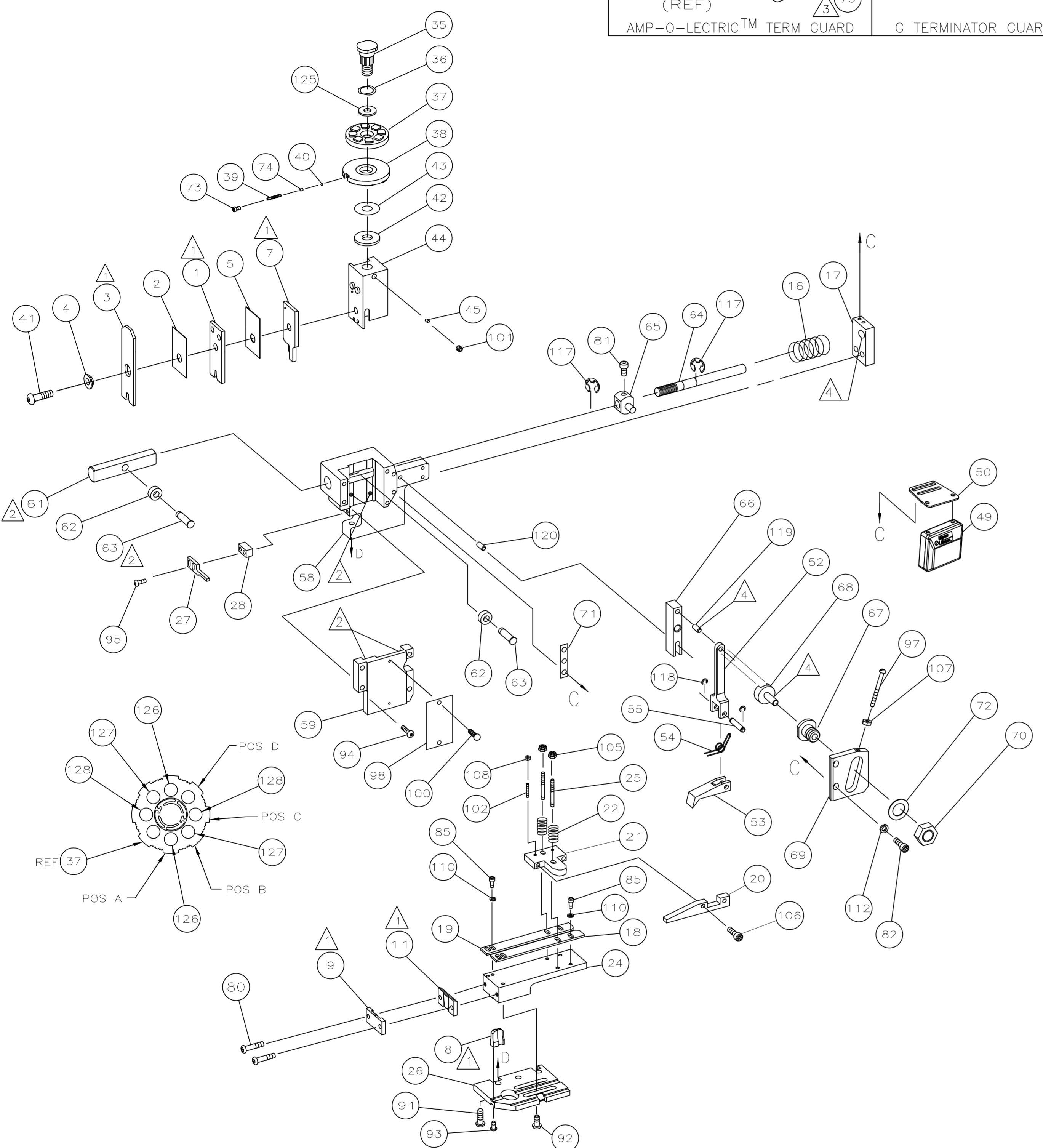


TERMINAL NAME: RECEPTACLE, FASTON, FLAG, .110 SERIES					
1742219		AMP TERMINAL	AMP CRIMP SPECS		
	PAD LTR	CRIMP HEIGHT	WIRE SIZE		
	A	.032 ±.002 [0.81 ±0.05mm]	22 awg		
	B	.029 ±.002 [0.74 ±0.05mm]	24 awg		
	C	.028 ±.002 [0.71 ±0.05mm]	26 awg		
	D	NOT			
	CRIMP	SIZE	TYPE	RANGE	
	WIRE	.055 [1.40mm]			
	INSUL	.090 [2.29mm]	F	Ø040-.080	
WIRE STRIP LENGTH	TERM APPL SPEC	FEED	APPL INSTRUCTION	SET UP GAGE	LAYOUT
.173-.203	114-2028		408-8039	458638-1	-

REVISIONS					
REV	DATE	BY	APPV	DESCRIPTION	
B	13MAR2017	RS	LZ	ECR-17-00210	

-1	LEADMAKER & BENCH MODEL G	MECH POST FEED
-2	BENCH MODEL K	MECH POST FEED

1	1	-	A	22594-8	NUT, HEX	70
1	1	-	B	240628-1	PLATE, ADJ	69
1	1	-	B	240626-1	SHAFT, PIVOT	68
1	1	-	B	240633-1	BUSHING	67
1	1	-	A	455680-1	LEVER, INTERMEDIATE	66
1	1	-	B	240629-1	BLOCK, PIVOT	65
1	1	-	A	240632-2	SCR, ADJ	64
1	1	-	B	240659-3	PIN, CAM ROLLER	63
1	1	-	B	240658-1	CAM, ROLLER	62
1	1	-	B	454398-1	ROD, FEED	61



2	2	-	C	7-354779-8	PIN, WIRE DISC (.3380)C	129
2	2	-	C	7-354779-4	PIN, WIRE DISC (.3360)B	128
2	2	-	C	6-354779-8	PIN, WIRE DISC (.3330)A	126
1	1	-	A	986950-1	WASHER, FLAT PRECISION	125
1	1	-	A	217238-1	GENERAL INSTRUCTION PACKAGE	124
1	1	-	-	4088039	EF APPL INST 408-8039	123
						122
						121
1	1	-	A	1-21030-6	PIN,DOWEL(Ø.187x1.25)HSG	120
1	1	-	A	1-21030-1	PIN,DOWEL(Ø.187x.50)LEVER	119
2	2	-	A	21045-3	RING,RET"C"(Ø.187)FD PIN	118
2	2	-	A	1-21046-6	RING,RETAINING,EXT(5/16)FD ADJ ROD	117
						116
						115
						114
						113
2	2	-	A	21024-5	WASHER,LOCK(NO.10)FD ROD GDE	112
						111
4	4	-	A	21024-4	WASHER,LOCK(NO.8)SHEAR BL	110
						109
2	2	-	A	21018-4	NUT,HEX(4-40)DRAG	108
1	1	-	A	21018-5	NUT,HEX(6-32)FD ADJ PL	107
2	2	-	A	1-21000-3	SCR,SHC(4-40x.25)DRAG ARM	106
2	2	-	A	21022-2	NUT,HEX SL(8-32)DRAG STUD	105
						104
						103
2	2	-	A	4-21078-8	SCR,SKT SET(4-40x.75)DRAG	102
1	1	-	A	21009-2	SCR,SKT SET(1/4-20x.25)RAM	101
2	2	-	A	21017-2	SCR,DRIVE(#2x.19)ID PLATE	100
1	1	-	A	1-21002-7	SCR,BHC(6-32x.38)CAM	99
1	1	-	B	461264-1	PLATE, IDENTIFICATION	98
1	1	-	A	6-23715-5	SCR,PAN HD(6-32x1.50)FEED ADJ	97
						96
2	2	-	A	2-21002-2	SCR,BHC(8-32x.50)STRIPPER	95
4	4	-	A	2-21002-9	SCR,BHC(10-32x.75)HSG CAP	94
1	1	-	A	22733-8	SCR,BHC(8-32x.38 LW)ANVIL	93
4	4	-	A	3-21002-3	SCR,BHC(1/4-20x.50)ST GDE PL	92
3	3	-	A	2-22733-8	SCR,BHC(1/4-20x.62)BASE PL	91
						90
						89
						88
						87
						86
4	4	-	A	2-21000-6	SCR,SHC(8-32x.38)STRIP GUIDE	85
						84
						83
2	2	-	A	3-21000-6	SCR,SHC(10-32x.62)FEED ADJ PL	82
1	1	-	A	3-21000-4	SCR,SHC(10-32x.38)PIVOT BLOCK	81
2	2	-	A	2-21002-9	SCR,BHC(10-32x.75)SHEAR PL	80
REF	-	-	A	455745-1	GUARD, WINDOW	79
REF	-	-	A	679532-1	INSERT, GUARD	78
						77
						76
						75
1	1	-	A	690603-1	SPRING, ASSIST	74
1	1	-	A	23030-1	SCR,SKT CAP(6-32x.25)CP DSC	73
1	1	-	A	458109-1	WASHER, FLAT (SPECIAL)	72
1	1	-	A	690517-1	SPACER	71
						70
						69
						68
						67
						66
						65
						64
						63
						62
						61
						60
						59
						58
						57
						56
						55
						54
						53
						52
						51
						50
						49
						48
						47
						46
						45
						44
						43
						42
						41
						40
						39
						38
						37
						36
						35
						34
						33
						32
						31
						30
						29
						28
						27
						26
						25
						24
						23
						22
						21
						20
						19
						18
						17
						16
						15
						14
						13
						12
						11
						10
						9
						8
						7
						6
						5
						4
						3
						2
						1

						122
						121
						120
						119
						118
						117
						116
						115
						114
						113
						112
						111
						110
						109
						108
						107
						106
						105
						104
						103
						102
						101
						100
						99
						98
						97
						96
						95
						94
						93
						92
						91
						90
						89
						88
						87
						86
						85
						84
						83
						82
						81
						80
						79
						78
						77
						76
						75
						74
						73
						72
						71
						70
						69
						68
						67
						66
						65
						64
						63
						62
						61
						60
						59
						58
						57
						56
						55
						54
						53
						52
						51
						50
						49
				</		

Mouser Electronics

Authorized Distributor

Click to View Pricing, Inventory, Delivery & Lifecycle Information:

[TE Connectivity:](#)

[1852123-2](#)