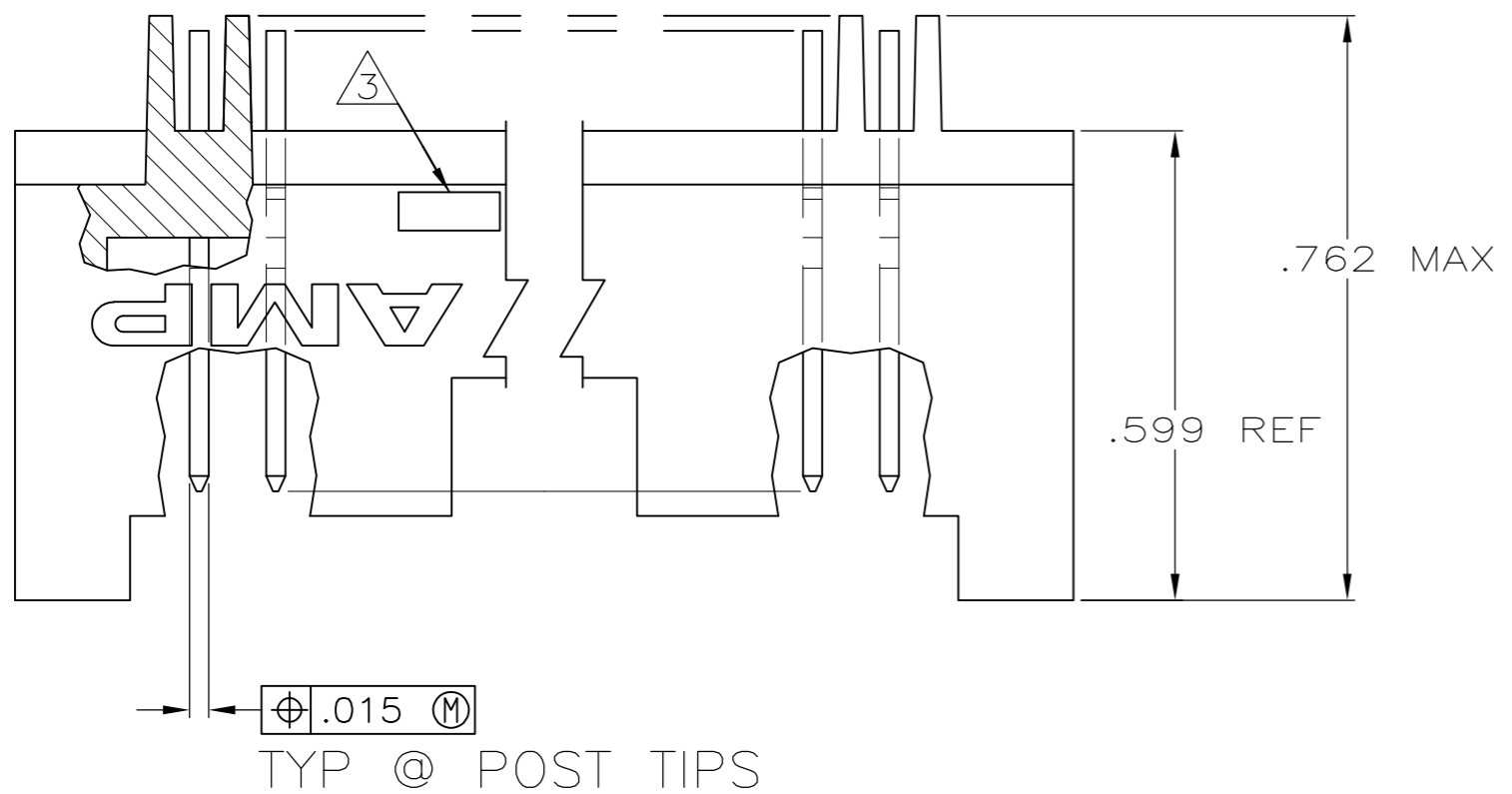
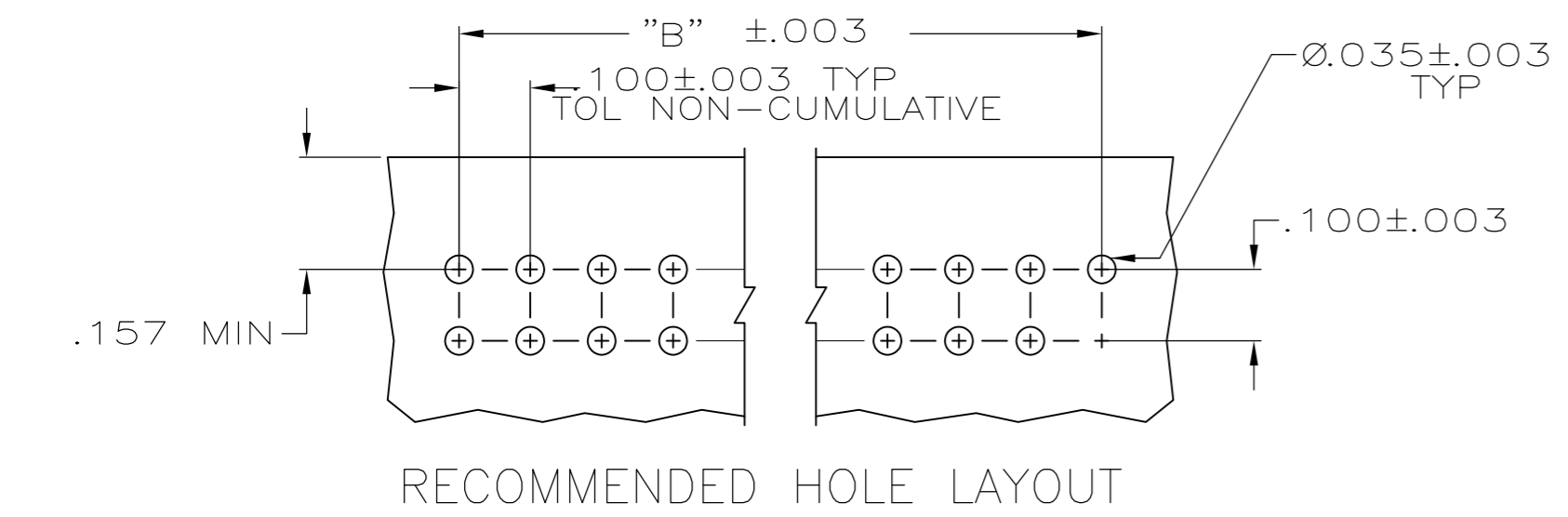
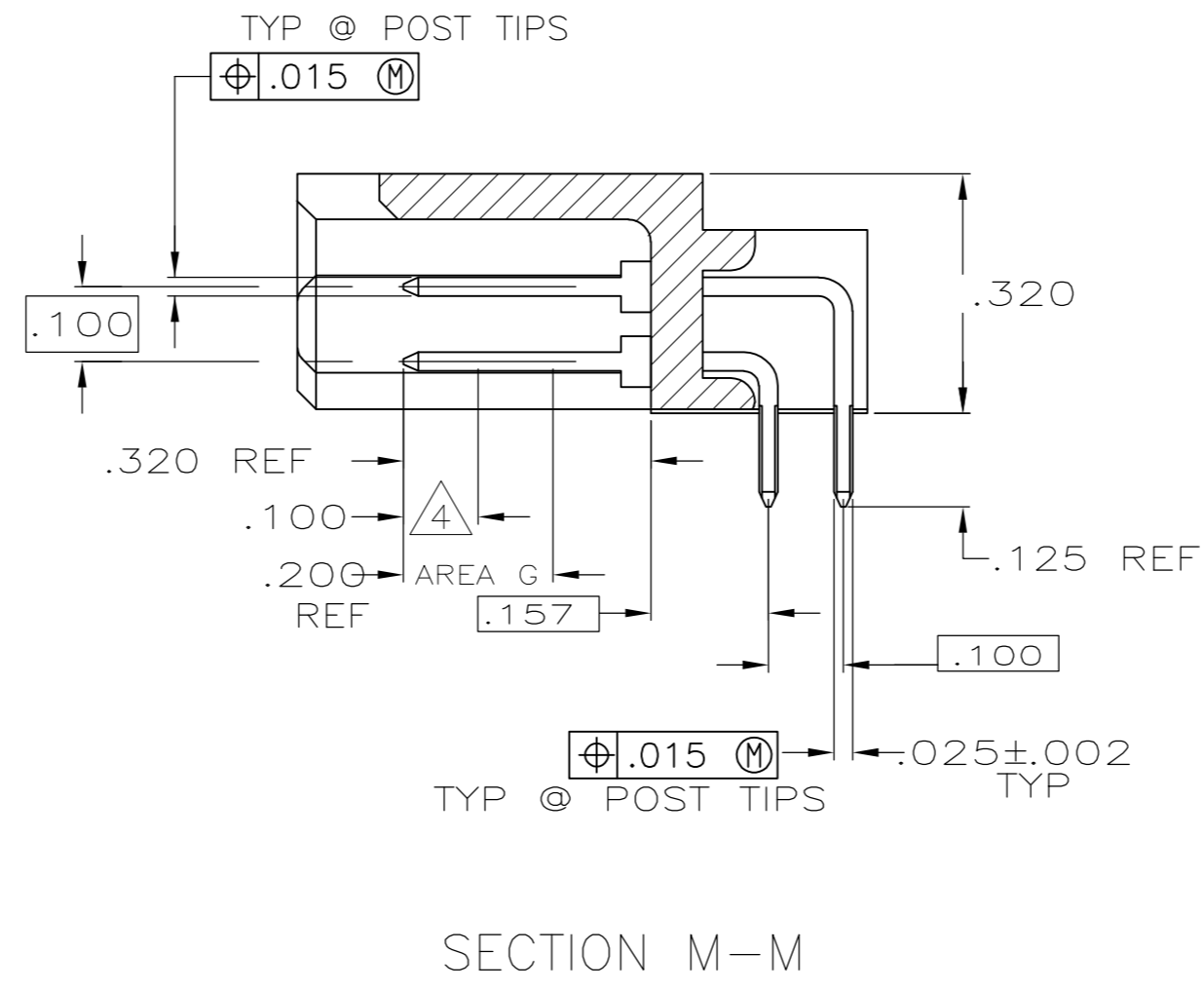
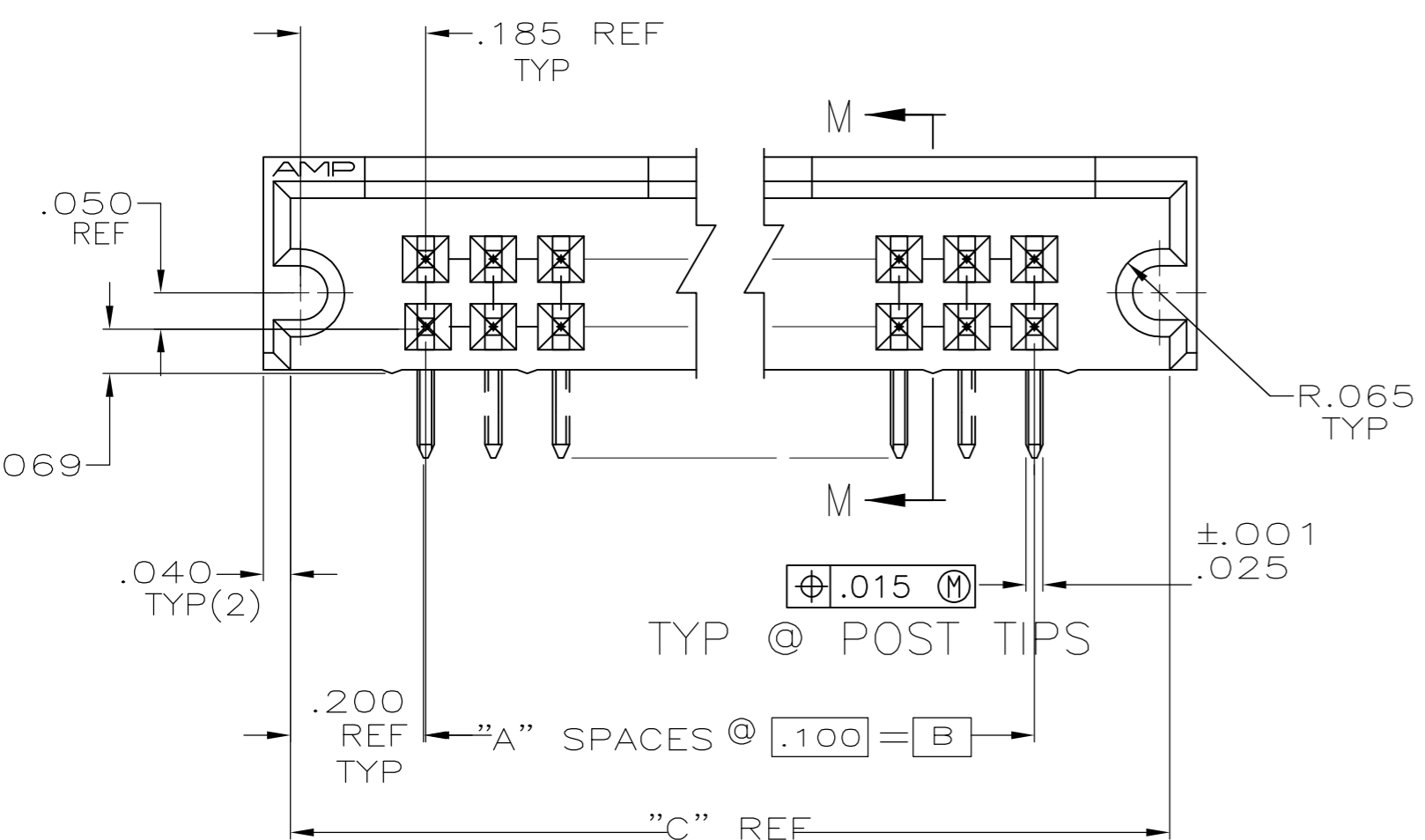


THIS DRAWING IS UNPUBLISHED. RELEASED FOR PUBLICATION
 © COPYRIGHT - By - ALL RIGHTS RESERVED.

LOC		DIST		REVISIONS			
P	LTR	DESCRIPTION		DATE	DWN	APVD	
	P3	REVISED PER ECO-11-004587		11MAR11	RK	HMR	



- 1 PART NO. OBSOLETE
- 2 .000015 GOLD ON CONTACT AREA G
.000100-.000200 BRIGHT TIN-LEAD
ON SOLDER LEADS, ALL OVER
.000050 NICKEL
- 3 RECESSED DATE CODE AND CSA LOGO
- 4 POINT OF MEASUREMENT FOR
PLATING THICKNESS
- 5 .000015 GOLD ON CONTACT AREA G
.000100-.000200 MATTE TIN ON
SOLDER LEADS, ALL OVER .000050
NICKEL
- 6 ROHS 2002/95/EC COMPLIANT
- 7 OBSOLETE PARTS: OBSOLETE CIS STREAMLINING
PER D.RENAUD/D.SINISI



REMARKS	FINISH	"C"	"B"	"A"	NO OF POSN	PART NUMBER
1		.800	.400	4	10	1-102589-2
1		10.300	9.900	99	200	2-102589-1
1		7.300	6.900	69	140	2-102589-0
1		6.800	6.400	64	130	1-102589-9
1		4.600	4.200	42	86	1-102589-8
1		3.900	3.500	35	72	1-102589-7
1		5.800	.700	7	16	1-102589-6
1		5.800	5.400	54	110	1-102589-5
1		4.800	4.400	44	90	1-102589-4
1		2.300	1.900	19	40	1-102589-3
1		1.300	.900	9	20	1-102589-2
1		6.300	5.900	59	120	1-102589-1
1		3.800	3.400	34	70	1-102589-0
1		5.100	4.700	47	96	1-102589-9
1		.900	.500	5	12	102589-8
1		3.300	2.900	29	60	102589-7
1		1.500	1.100	11	24	102589-6
1		2.800	2.400	24	50	102589-5
1		1.800	1.400	14	30	102589-4
1		5.300	4.900	49	100	1-102589-3
1		2.100	1.700	17	36	102589-2
1		4.300	3.900	39	80	1-102589-1
1		.800	.400	4	10	2-102589-2
1		10.300	9.900	99	200	2-102589-1
1		7.300	6.900	69	140	2-102589-0
1		6.800	6.400	64	130	1-102589-9
1		4.600	4.200	42	86	1-102589-8
1		3.900	3.500	35	72	1-102589-7
1		1.100	.700	7	16	1-102589-6
1		5.800	5.400	54	110	1-102589-5
1		4.800	4.400	44	90	1-102589-4
1		2.300	1.900	19	40	1-102589-3
1		1.300	.900	9	20	1-102589-2
1		6.300	5.900	59	120	1-102589-1
1		3.800	3.400	34	70	1-102589-0
1		5.100	4.700	47	96	1-102589-9
1		.900	.500	5	12	102589-8
1		3.300	2.900	29	60	102589-7
1		1.500	1.100	11	24	102589-6
1		2.800	2.400	24	50	102589-5
1		1.800	1.400	14	30	102589-4
1		5.300	4.900	49	100	1-102589-3
1		2.100	1.700	17	36	102589-2
1		4.300	3.900	39	80	1-102589-1

THIS DRAWING IS A CONTROLLED DOCUMENT.

DWN J KNAUB 12-2-93
 CHK H PALEY 12-20-93
 APVD -
 PRODUCT SPEC -
 APPLICATION SPEC -
 MATERIAL HSG: FLAME RETARDANT POLYESTER POST: PHOS BRONZE
 FINISH POSTS: SEE TABLE

TE Connectivity
 ASSY, HEADER, MOD II, .025 SQ POSTS
 .100 X.100CL

SIZE A2 CAGE CODE 00779 DRAWING NO C-102589 RESTRICTED TO -
 WEIGHT - SCALE 4:1 SHEET 1 of 1 REV P3

Mouser Electronics

Authorized Distributor

Click to View Pricing, Inventory, Delivery & Lifecycle Information:

[TE Connectivity:](#)

[102589-4](#)