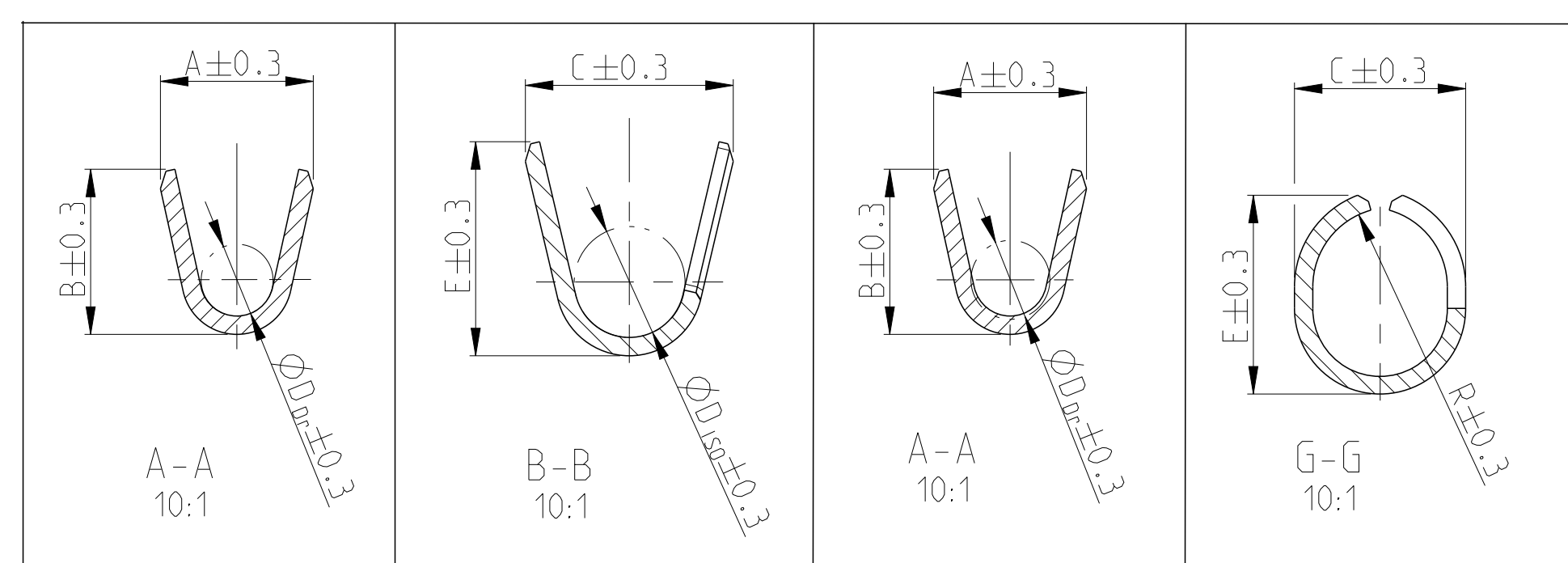
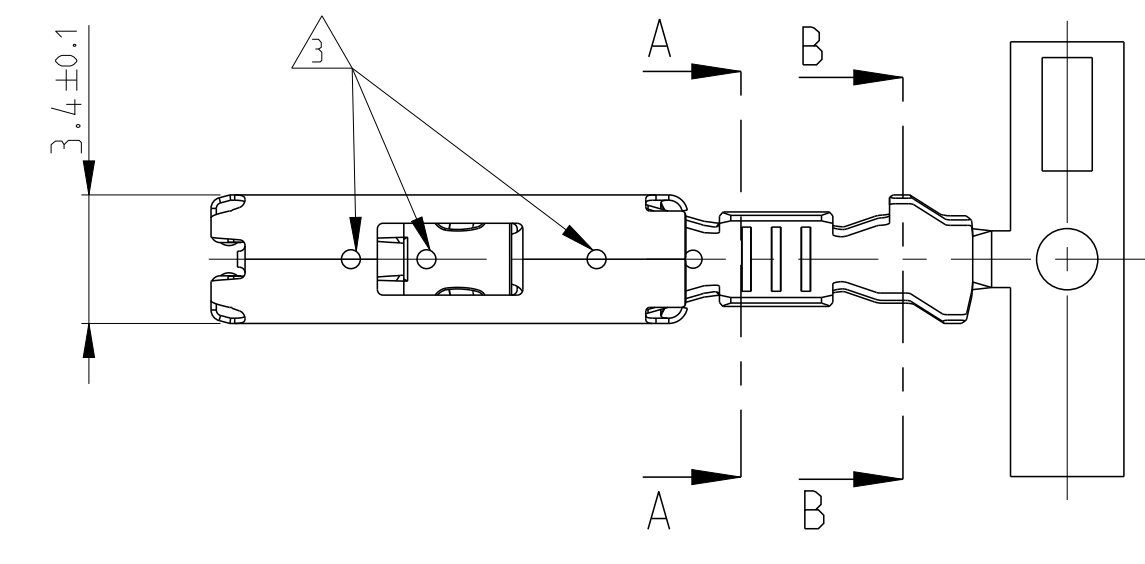
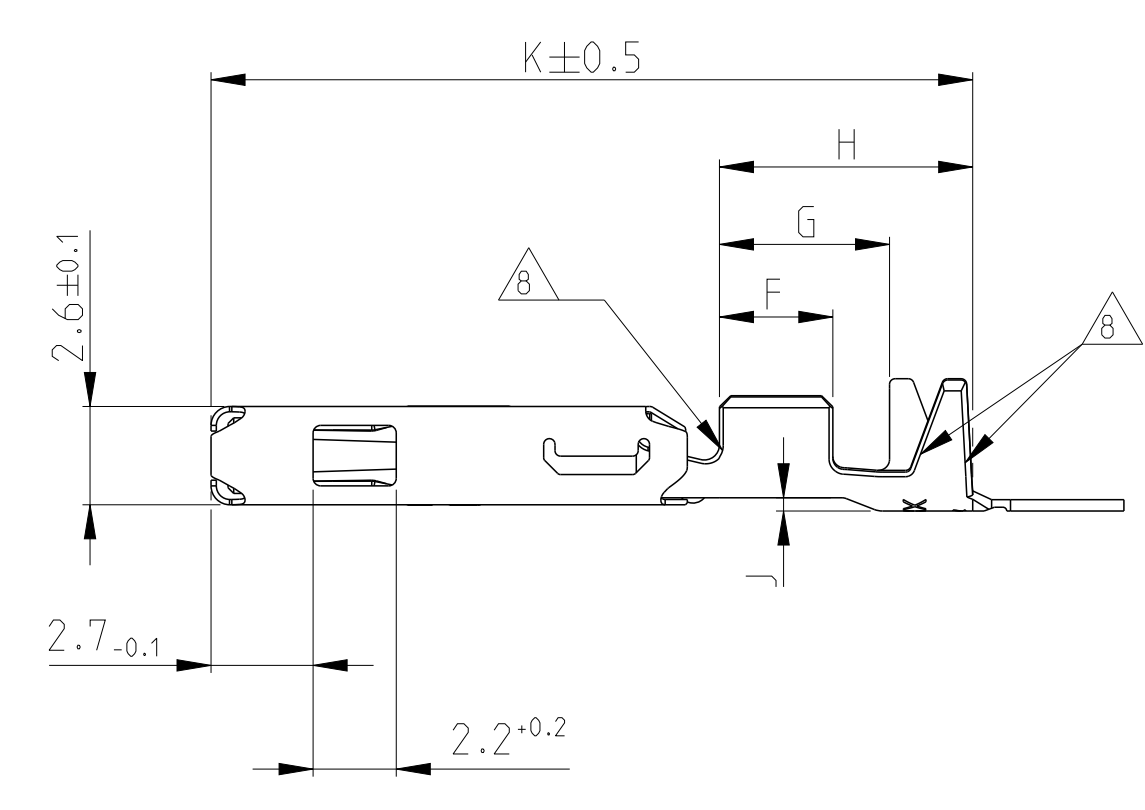
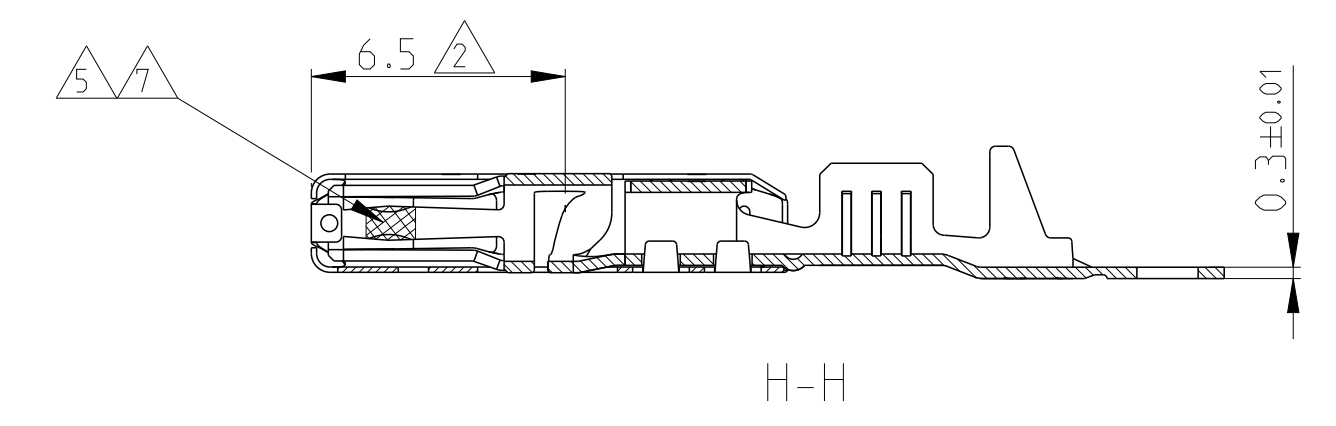
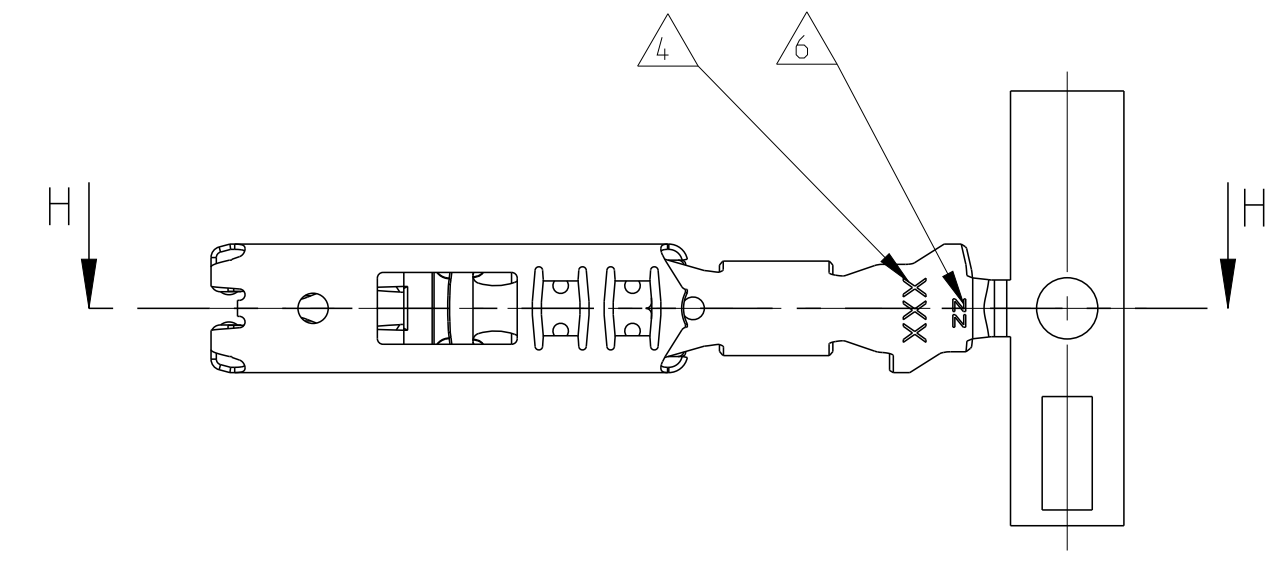


REVISIONS				
P.	LTN	DESCRIPTION	DATE	APVD
B2		1670326-3 AND 1670328-3 ACTIVATED	28JAN2009	CH MP
B3		LP CRIMP DATA FOR PN 1564724 ADDED	02FEB2009	CH MP
B4		1564724-3 ADDED	130CT2009	ABRA MP
C		ECR-16-009856	260CT2016	VH JP



Bemerkungen

- 1 Geeignet für Flachstecker 1.5 ±0.1 x 0.8^{+0.04}/_{-0.03}
- 2 Größte Einstecktiefe
- 3 Lasergeschweißt (4x)
- 4 Hersteller Logo und Revisionsstand
- 5 Min. 1.3µm Goldüberzug über Nickel im gekennzeichneten Bereich, Rest galvanisch verzinkt
- 6 Kennzeichnung Au für Goldüberzug, Ag für Silberüberzug
- 7 3-5µm Silberüberzug im gekennzeichneten Bereich Rest galvanisch verzinkt
- 8 Kanten in diesem Bereich entschärft

NOTES

- 1 TO BE USED FOR TAB 1.5 ±0.1 x 0.8^{+0.04}/_{-0.03}
- 2 MAXIMUM INSERTION DEPTH
- 3 LASERWELDED (4x)
- 4 BRANDNAME AND REVISION STATUS
- 5 MIN 1.3µm GOLDPLATE OVER NICKEL IN LOCALIZED AREA; REST TINPLATED
- 6 INDEX Au FOR GOLDPLATING, Ag FOR SILVERPLATING
- 7 3-5µm SILVERPLATE IN LOCALIZED AREA REST TINPLATED
- 8 BREAK EDGE IN THIS AREA

ORDER-NO STRIP FORM Bestell-Nr. Bandware	REV.	MATERIAL Werkstoff	SURFACE Oberfläche	WIRE SIZE RANGE Leiterquerschnitt mm ²	WIRE CRIMP Drahtcrimp				INSULATION CRIMP Isolationscrimp				WIRE CRIMP Drahtcrimp				INSULATION CRIMP Isolationscrimp				
					A	B	D _{Dr}	C	E	D _{ISO}	A	B	D _{Dr}	C	E	R	F	G	H	J	K
1564724-3	A	CuNiSi	SILVERPLATED/Versilbert	0.35 - 0.5mm ²	2.1	2.1	0.9	3.1	2.8	1.6	1.7	2.1	0.9	2.5	2.4	1.4	3	4.5	6.7	0.2	20.2
1564724-2	A		PRE TINNED/Verzinkt		GOLDPLATED/Vergoldet	2.1	2.1	0.9	3.1	2.8	1.6	1.7	2.1	0.9	2.5	2.4	1.4	3	4.5	6.7	0.2
1564724-1	A	CuNiSi	SILVERPLATED/Versilbert	1.4 - 2.0mm ²	3.3	3.5	1.6	4.4	4.5	2.5	3.3	3.5	1.6	3.3	4.15	1.9	3.5	5.0	7.2	0.35	20.6
1670328-3	A		PRE TINNED/Verzinkt		GOLDPLATED/Vergoldet	3.3	3.5	1.6	4.4	4.5	2.5	3.3	3.5	1.6	3.3	4.15	1.9	3.5	5.0	7.2	0.35
1670328-2	B	CuNiSi	SILVERPLATED/Versilbert	1.4 - 2.0mm ²	2.5	2.7	1.2	3.4	3.5	1.8	2.5	2.7	1.2	2.8	3.25	1.6	3	4.5	6.7	0.35	20.6
1670328-1	B		PRE TINNED/Verzinkt		GOLDPLATED/Vergoldet	2.5	2.7	1.2	3.4	3.5	1.8	2.5	2.7	1.2	2.8	3.25	1.6	3	4.5	6.7	0.35
1670326-3	A	CuNiSi	SILVERPLATED/Versilbert	0.75 - 1.0mm ²	2.5	2.7	1.2	3.4	3.5	1.8	2.5	2.7	1.2	2.8	3.25	1.6	3	4.5	6.7	0.35	20.6
1670326-2	B		PRE TINNED/Verzinkt		GOLDPLATED/Vergoldet	2.5	2.7	1.2	3.4	3.5	1.8	2.5	2.7	1.2	2.8	3.25	1.6	3	4.5	6.7	0.35
1670326-1	B	CuNiSi	GOLDPLATED/Vergoldet	0.75 - 1.0mm ²	2.5	2.7	1.2	3.4	3.5	1.8	2.5	2.7	1.2	2.8	3.25	1.6	3	4.5	6.7	0.35	20.6
					WIRE CRIMP Drahtcrimp				INSULATION CRIMP Isolationscrimp				WIRE CRIMP Drahtcrimp				INSULATION CRIMP Isolationscrimp				
					STRIP FORM/Bandware				LOOSE PIECE/Einzelausführung												
CRIMP DIMENSIONS / Crimp abmessungen mm ²																					

THIS DRAWING IS A CONTROLLED DOCUMENT. DWN: M. Freilshilfer 13NOV2006
 CHK: H. Kammann 14NOV2006
 APVD: M. Bleicher 15NOV2006

DIMENSIONS: mm
 TOLERANCES UNLESS OTHERWISE SPECIFIED:
 0 PLC ±-
 1 PLC ±0.2
 2 PLC ±0.2
 3 PLC ±-
 4 PLC ±-
 ANGLES ±°
 FINISH ±*

MATERIAL: SEE TABLE
 WEIGHT: -
 CUSTOMER DRAWING

NAME: GROUP DRAWING/Tabellenzeichnung
 1.5mm SENSOR FLAT RECEPTACLE II
 1.5mm Sensor Flachkontakt II

SIZE: A1
 CAGE CODE: 00779
 DRAWING NO: 1670373

RESTRICTED TO: -

SCALE: 5:1
 SHEET: 1 OF 1
 REV: C

Mouser Electronics

Authorized Distributor

Click to View Pricing, Inventory, Delivery & Lifecycle Information:

[TE Connectivity:](#)

[1564724-1](#) [1564724-1 \(Cut Strip\)](#)