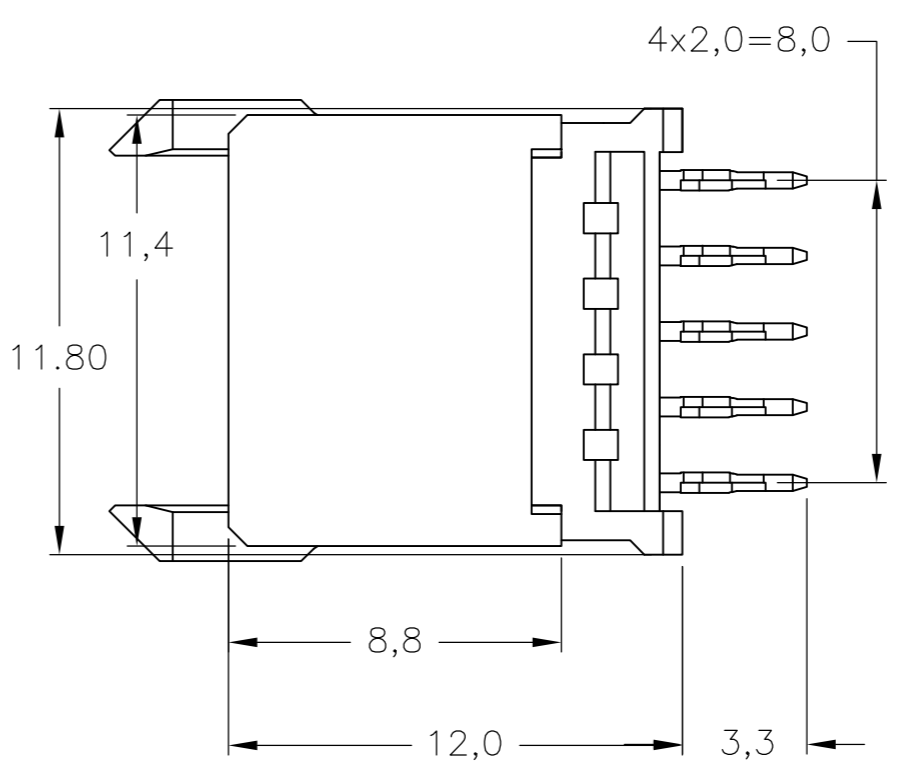
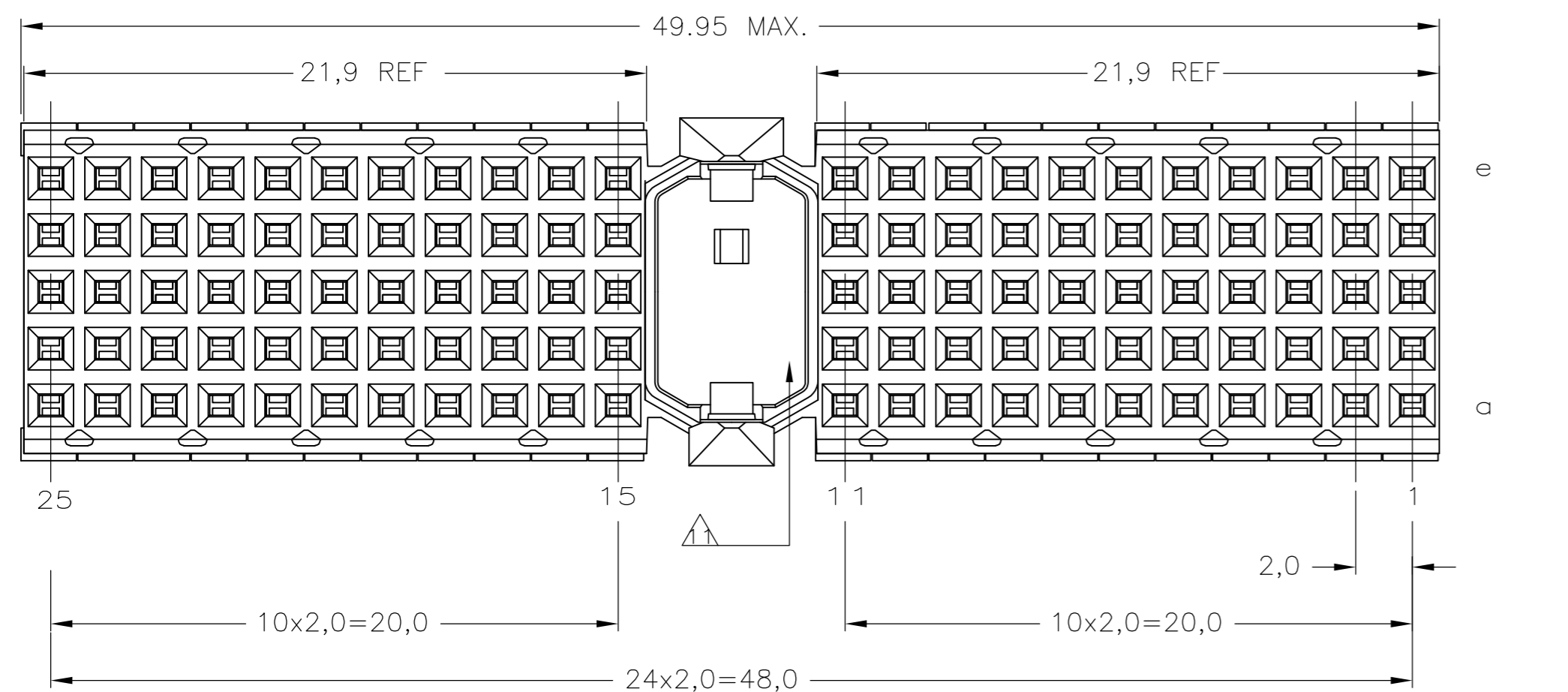
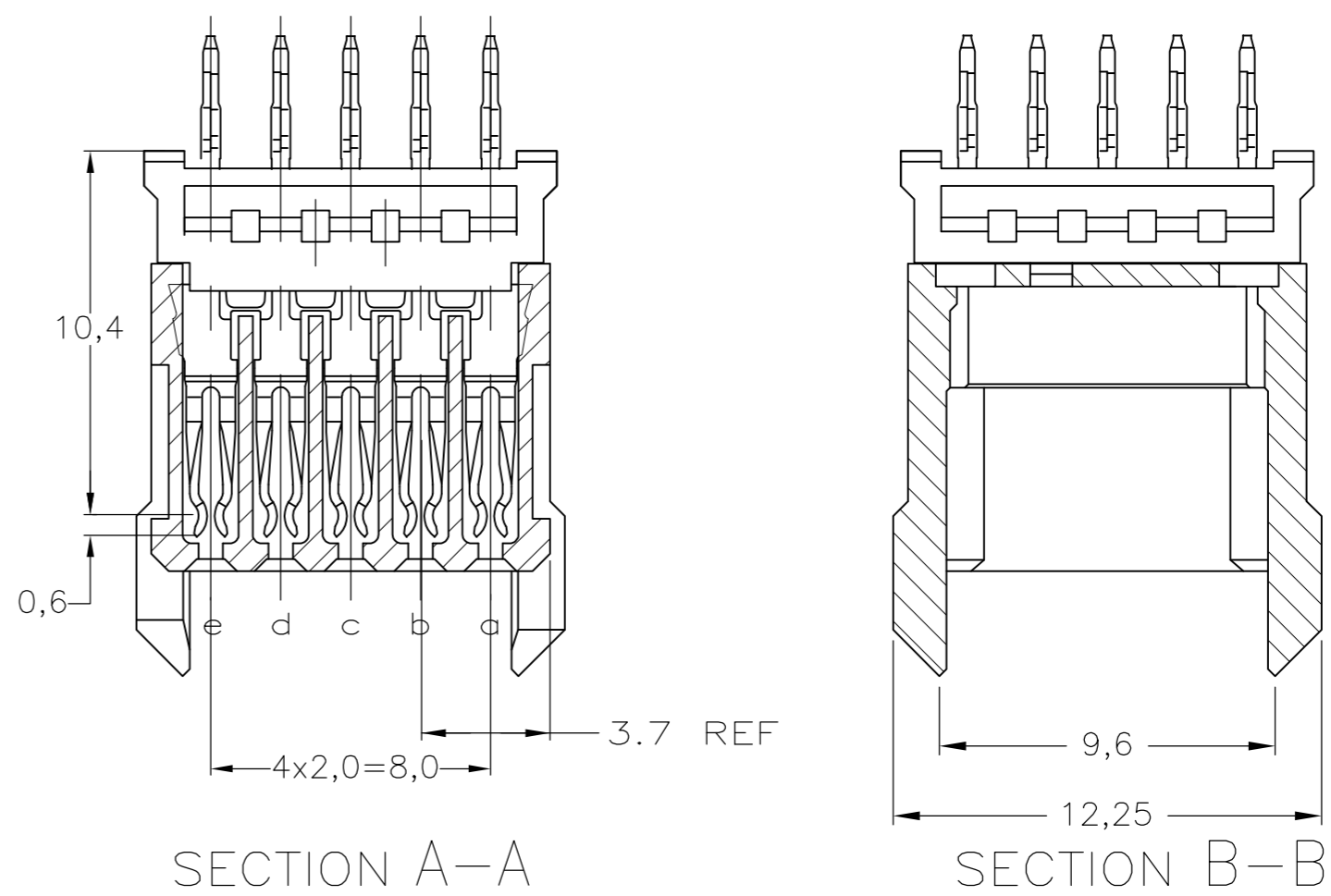
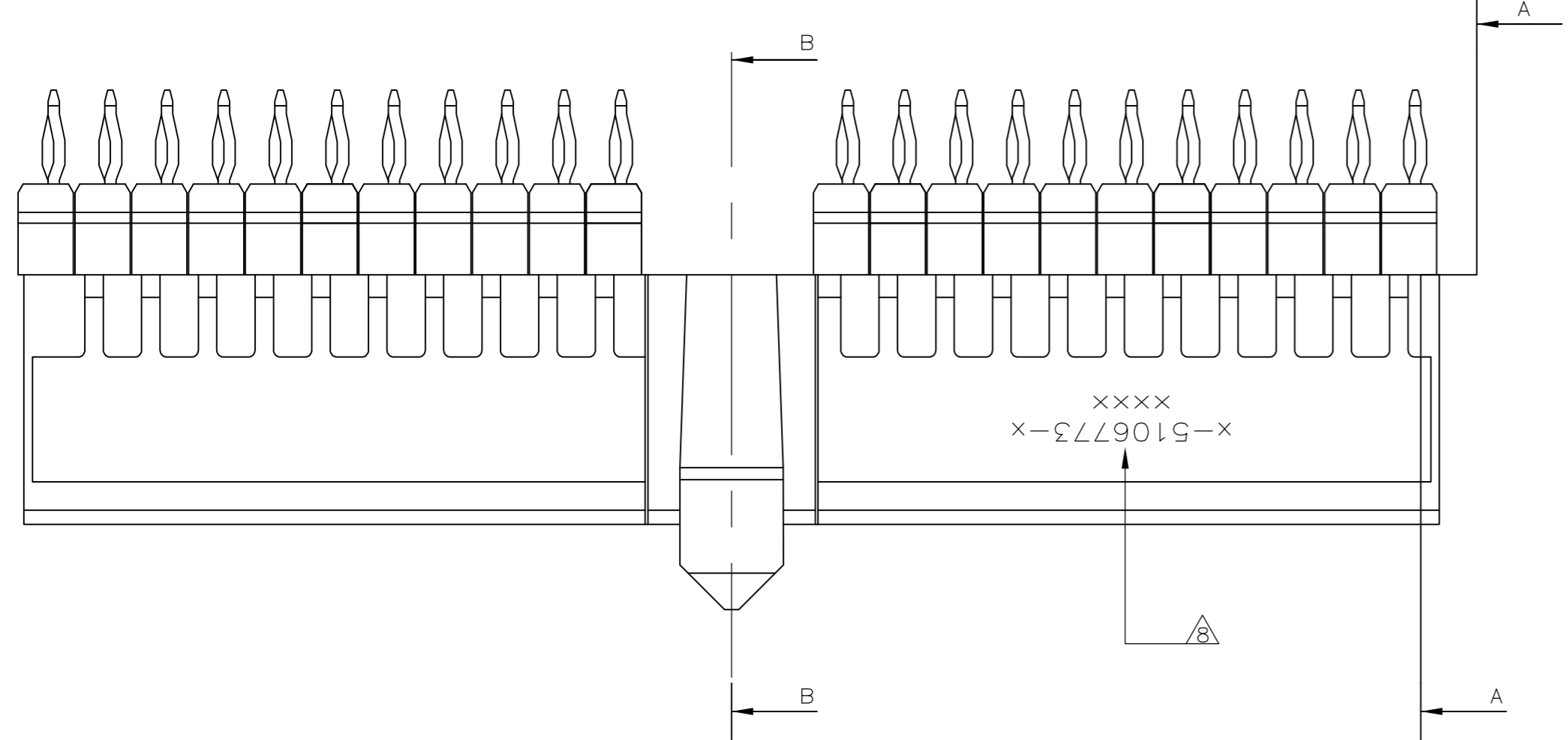


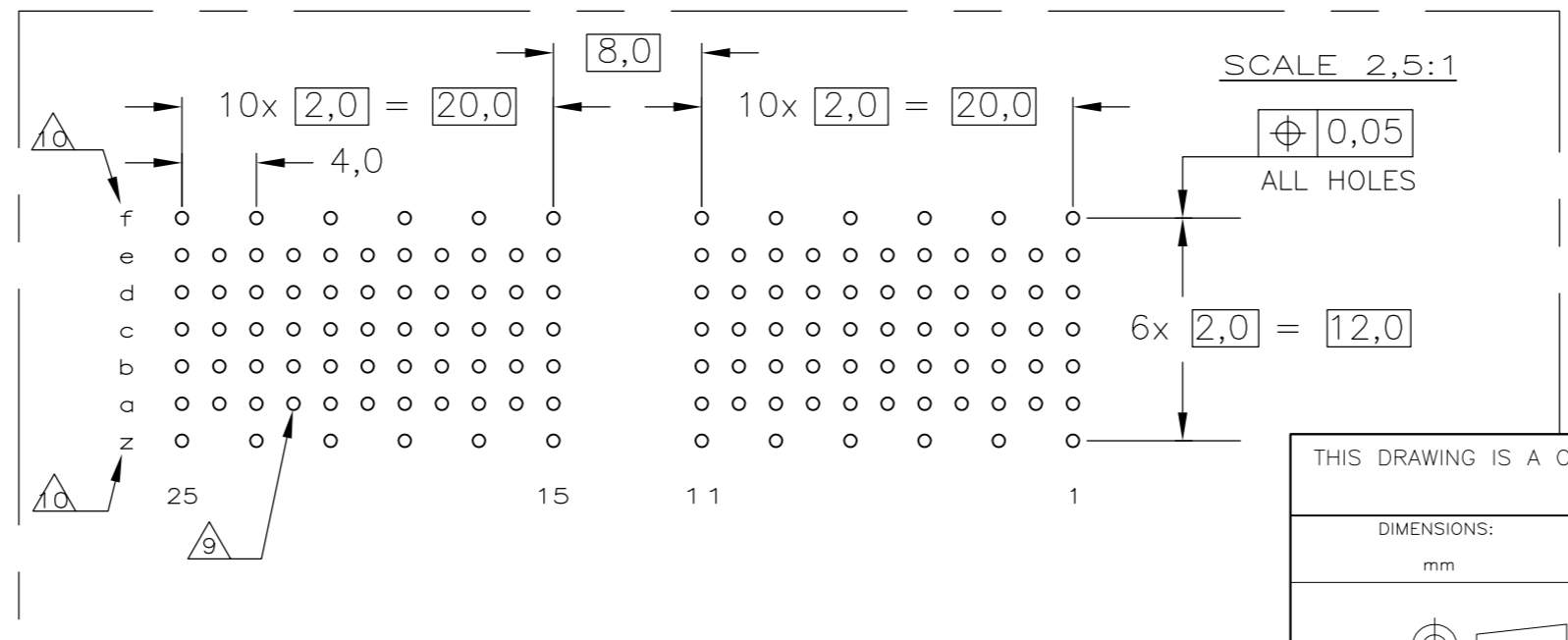
THIS DRAWING IS UNPUBLISHED. RELEASED FOR PUBLICATION  
 © COPYRIGHT - By - ALL RIGHTS RESERVED.

REVISIONS				
P	LTR	DESCRIPTION	DATE	APVD
J		ECR-16-013297	21JUL2017	FL SY



NOTES:

- 1 MATERIAL CONTACT: PHOSPHORBRONZE  
MATERIAL HOUSING: GLASSFILLED POLYESTER  
UL-RATING 94VO (GRAY).
- 2 GENERAL PLATING SPECIFICATION: UNDERPLATING (ENTIRE CONTACT):  
1,27µm NICKEL MIN. AND ACTION PIN: 0,5µm TIN MIN.  
FOR PLATING OF MATING SURFACES SEE APPLICABLE  
SPECIFICATION REFERENCE FOR EACH DASH NUMBER.
- 3 CONFORMS TO ALL TESTING ACCORDING IEC 61076-4-101  
PERFORMANCE LEVEL 2.
- 4 CONFORMS TO ALL TESTING ACCORDING IEC 61076-4-101  
PERFORMANCE LEVEL 1.
- 5 CONNECTOR TESTED AND QUALIFIED AGAINST TELCORDIA GR-1217-CORE  
QUALITY LEVEL III, CENTRAL OFFICE APPLICATIONS.
- 6 CONNECTOR TESTED AND QUALIFIED AGAINST TELCORDIA GR-1217-CORE  
QUALITY LEVEL III, UNCONTROLLED ENVIRONMENT APPLICATIONS.
- 7 CONNECTOR LUBRICATED WITH TELCORDIA GR-1217-CORE  
APPROVED LUBRICANT.
- 8 CONNECTOR PRINTED WITH PARTNUMBER AND DATECODE.
- 9 PLATED-THROUGH HOLES AT 2x2mm SQUARE GRID (110 HOLES).
- 10 HOLES IN ROW f AND z FOR POSSIBLE FUTURE USE OF  
GROUND RETURN SHIELD. (SHIELDS NOT YET TOOLED)
- 11 AREA RESERVED FOR KEYING PART (BASIC P.N.:100526).
- 12 0.76µm MIN GOLD PLATING AT MATING SURFACE.



OBSOLETE	3	3-5106773-0
OBSOLETE	6	1-5106773-9
	9	5106773-9
OBSOLETE	4	5106773-4
	3	5106773-1
	FINISH	MATERIAL
		PARTNUMBER

THIS DRAWING IS A CONTROLLED DOCUMENT.

DIMENSIONS:	TOLERANCES UNLESS OTHERWISE SPECIFIED:	DWN	12AUG2004	TE Connectivity
mm	±0.2	CHK	27OCT2004	
		APVD	27OCT2004	
		PRODUCT SPEC		
MATERIAL	FINISH	NAME		Z-PACK 2mm HM TYPE A 110 POS. VERTICAL FEMALE CONNECTOR ASSEMBLY
		SIZE	CAGE CODE	DRAWING NO
		WEIGHT	0.00000	A2 00779
		CUSTOMER DRAWING		SCALE 5:1

RESTRICTED TO

# Mouser Electronics

Authorized Distributor

Click to View Pricing, Inventory, Delivery & Lifecycle Information:

[TE Connectivity:](#)

[5106773-1](#)