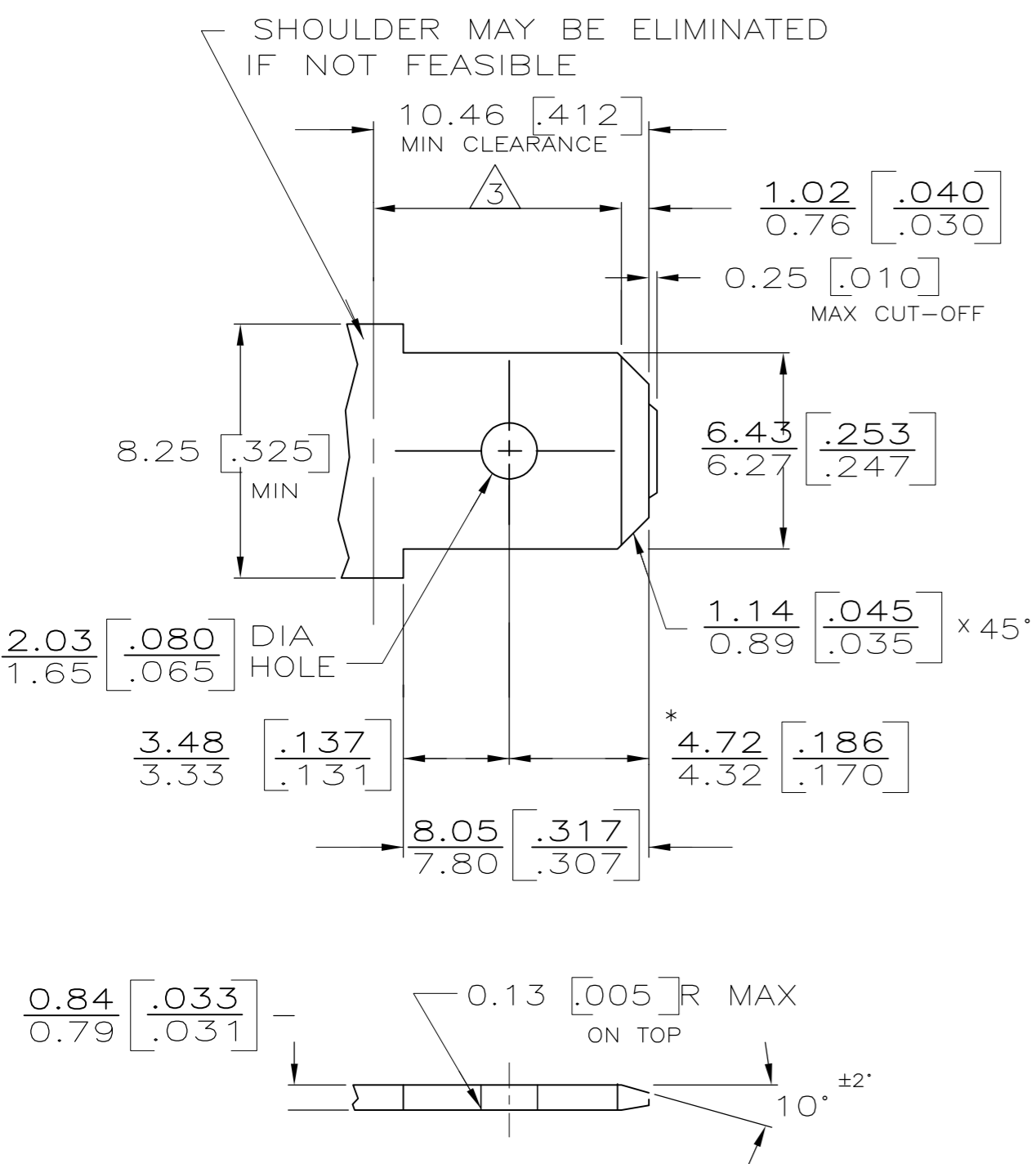
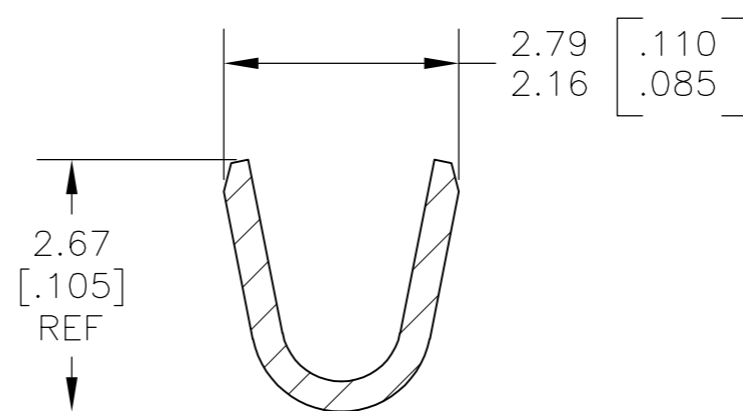
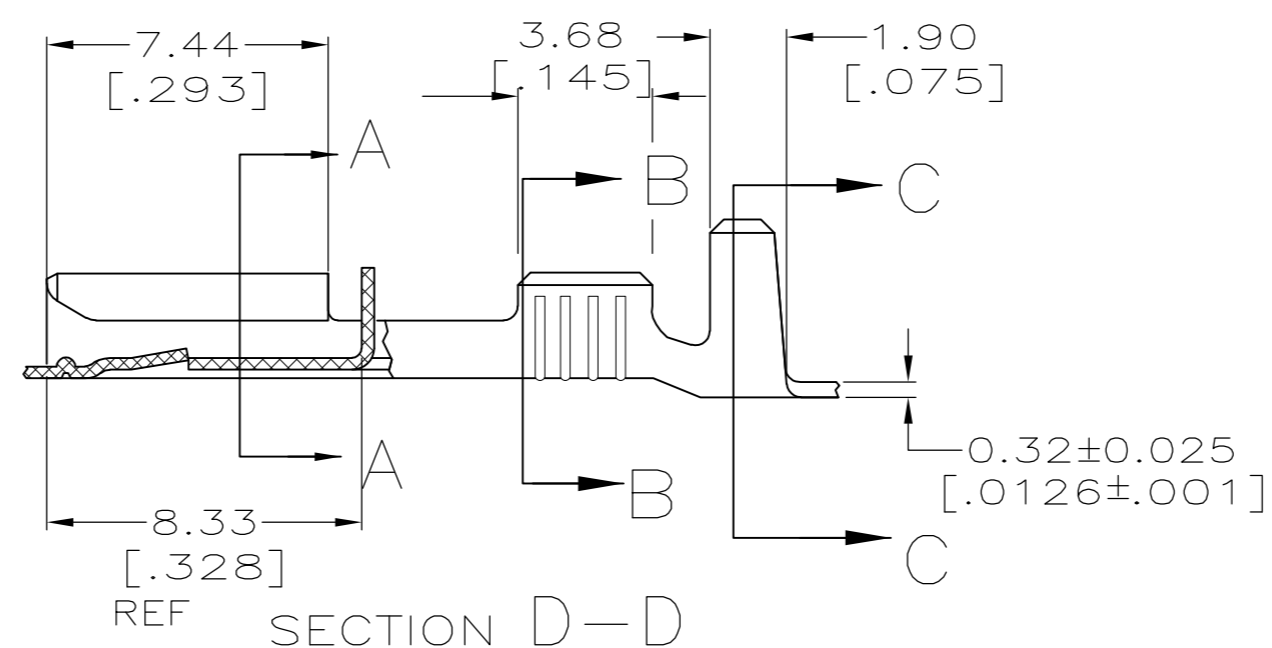
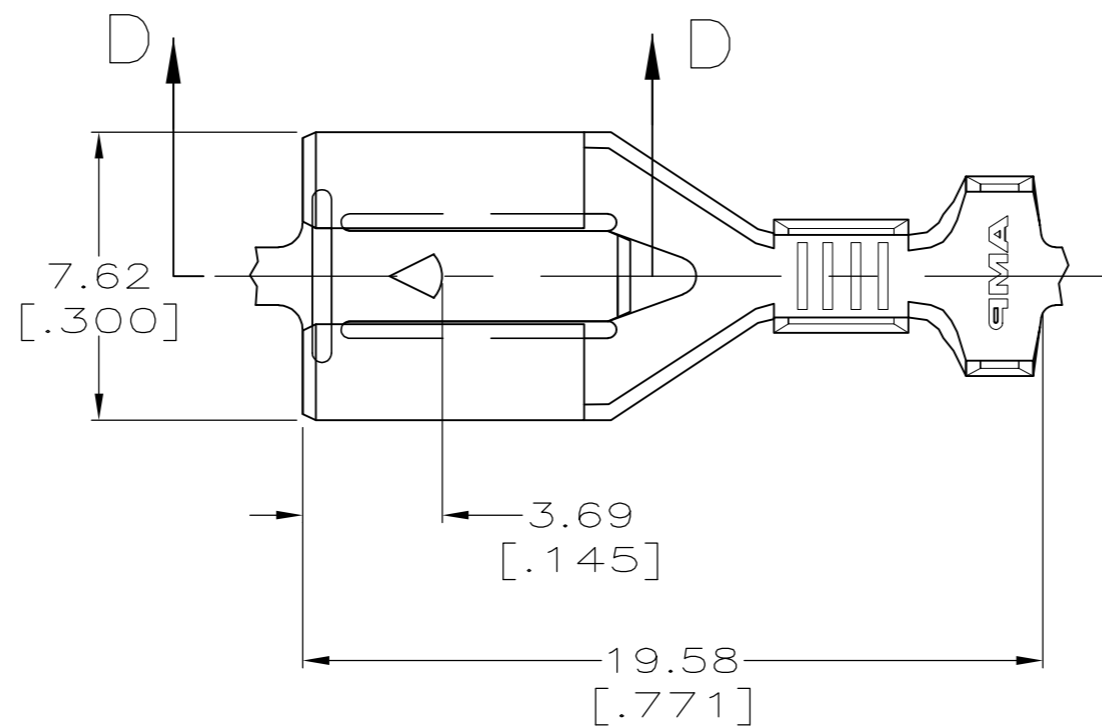


LOC		DIST		REVISIONS			
P	LTR	DESCRIPTION	DATE	DWN	APVD		
	A1	REL PER ECR 08-010125	21APR08	JR	RL		

# SUGGESTED MATING TAB

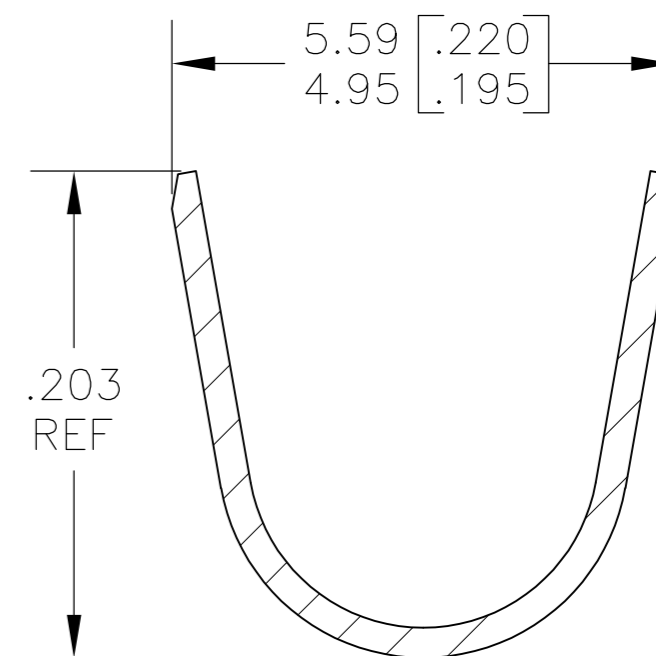
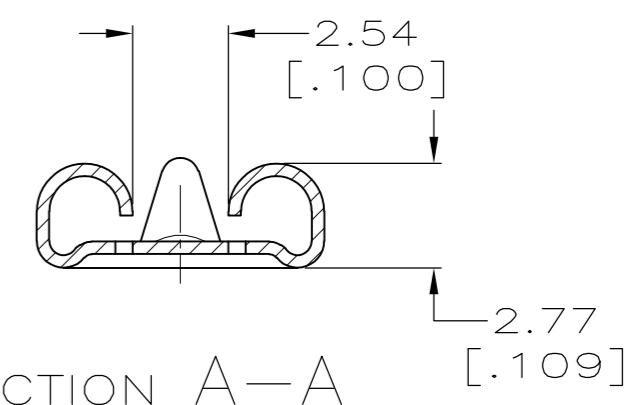


- 1 - MATL: 1/2H BRASS OR NICKEL PL STEEL.
  - 2 - NO BURRS PERMISSIBLE AT HOLE.
  - 3 - MUST BE FLAT WITHIN 0.076 [.003] OVER THIS LENGTH.
  - 4 - TIN PLATING IS REQUIRED ON BRASS WHEN TERMINAL TEMP. IS OVER 225°F.
  - 5 - HOLE MUST BE SYMMETRICAL ABOUT TAB Q WITHIN 0.076 [.003]
- \* TO BE USED ONLY WHEN SHOULDER IS ELIMINATED.



SCALE 10:1

- 1 CONTINUOUS STRIP ON REELS.
- 2 ACCEPTS #22-#18 AWG WIRE SIZES. WIRE CRIMP: .080 F TYPE
- 3 INSULATION RANGE IS 2.29-3.94 [.090-.155] DIA. INSULATION CRIMP: .180 F TYPE



SCALE 10:1

0.002032[.000080] MIN TIN PLATE	1742630-2
-	1742630-1
FINISH	PART NUMBER

THIS DRAWING IS A CONTROLLED DOCUMENT.		DWN	JR RUTH	14AUG07	Tyco Electronics Corporation Harrisburg, PA 17105-3608			
DIMENSIONS: MM [ INCHES ]		CHK	MS FEHER	14AUG07				
TOLERANCES UNLESS OTHERWISE SPECIFIED:		APVD	R LONDON	14AUG07	RECEPTACLE, POSITIVE LOCK, 6.35 [.250] SERIES			
0 PLC	± -	PRODUCT SPEC			SIZE	CAGE CODE	DRAWING NO	RESTRICTED TO
1 PLC	± -	APPLICATION SPEC	114-2074		A2	00779	C=1742630	-
2 PLC	± 0.25 [.010]	MATERIAL	H06 BRASS		WEIGHT			
3 PLC	± -	FINISH	SEE TABLE		CUSTOMER DRAWING		SCALE	5:1
4 PLC	± -			SHEET	1 of 1		REV	A1
4 ANGLES	± -							

# Mouser Electronics

Authorized Distributor

Click to View Pricing, Inventory, Delivery & Lifecycle Information:

[TE Connectivity:](#)

[1742630-1](#)