

This drawing involves proprietary design rights of Tyco Electronics Corporation, and all design, manufacture, reproduction, use and sale rights regarding the same are expressly reserved. It is submitted for a specific purpose and the recipient by accepting this drawing, assumes custody and control and agrees to take reasonable precautions; (a) that this drawing will not be copied and reproduced, in whole or in part, or its contents revealed in any manner, or to any person except to meet the purpose for which it was delivered and (b) that any special features peculiar to this design will not be incorporated in other projects without the expressed written permission of Tyco Electronics Corporation.

REVISIONS			
EC	REV	DESCRIPTION	DATE
CPR	A	NEW RELEASE	12/01/05

5 SOCKET PCB TAIL CONTACTS INSTALLED.

4. FINISHES:

- #12 PCB TAIL CONTACT: SILVER PLATED
- #20 PCB TAIL CONTACT: GOLD PLATED
- CROWN BAND: GOLD PLATED

3. MATERIALS:

INSULATOR: THERMOPLASTIC, GLASS REINFORCED, UL94V-0, FLAMMABILITY RATED, COLOR-BLACK.

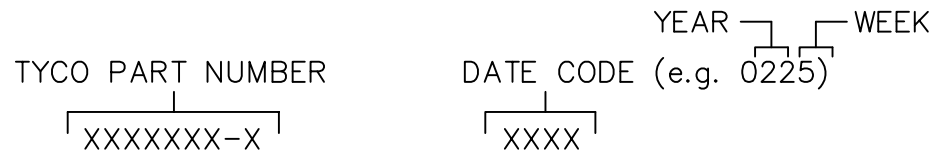
SOCKET CONTACT: COPPER ALLOY

PCB TAIL CONTACTS: COPPER ALLOY

CROWN BAND: COPPER ALLOY

RETENTION CLIP: COPPER ALLOY OR STAINLESS STEEL

2 ITEMS PROVIDED TO THIS SPECIFICATION TO BE PERMANENTLY IDENTIFIED PER THE FOLLOWING IDENTIFIER:



1. PART NUMBER CHANGES AND OR DESIGN CHANGES AFFECTING ITEM INTERCHANGEABILITY REQUIRE PRIOR TYCO APPROVAL AND AUTHORIZATION BY REVISION TO THIS DRAWING.

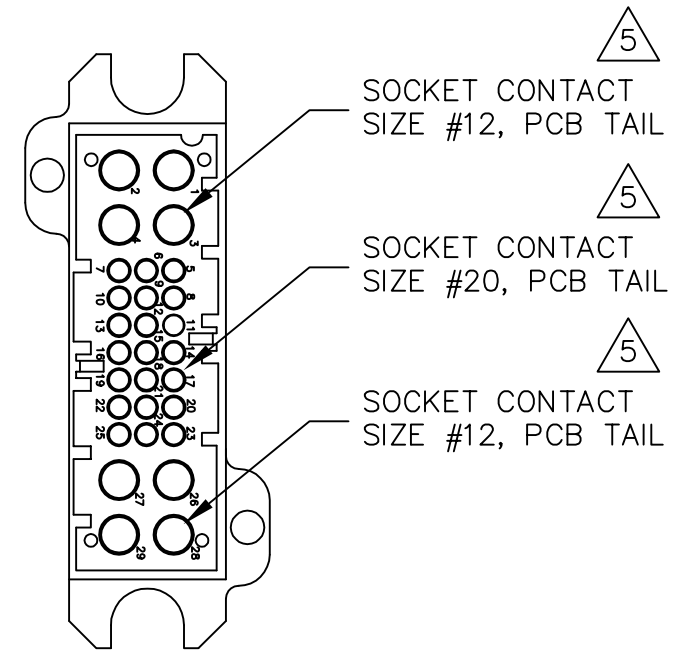
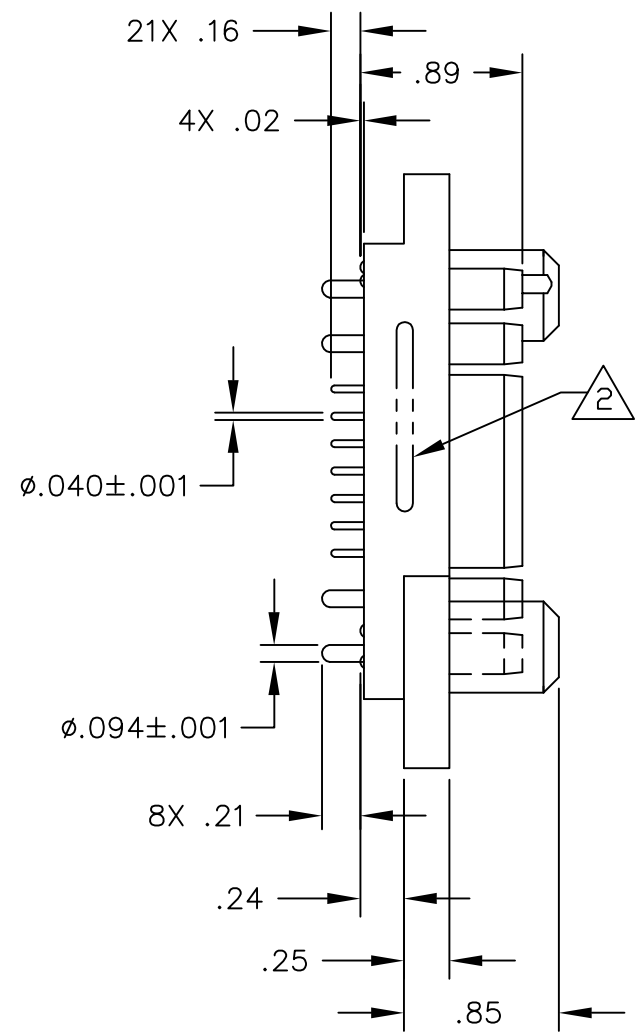
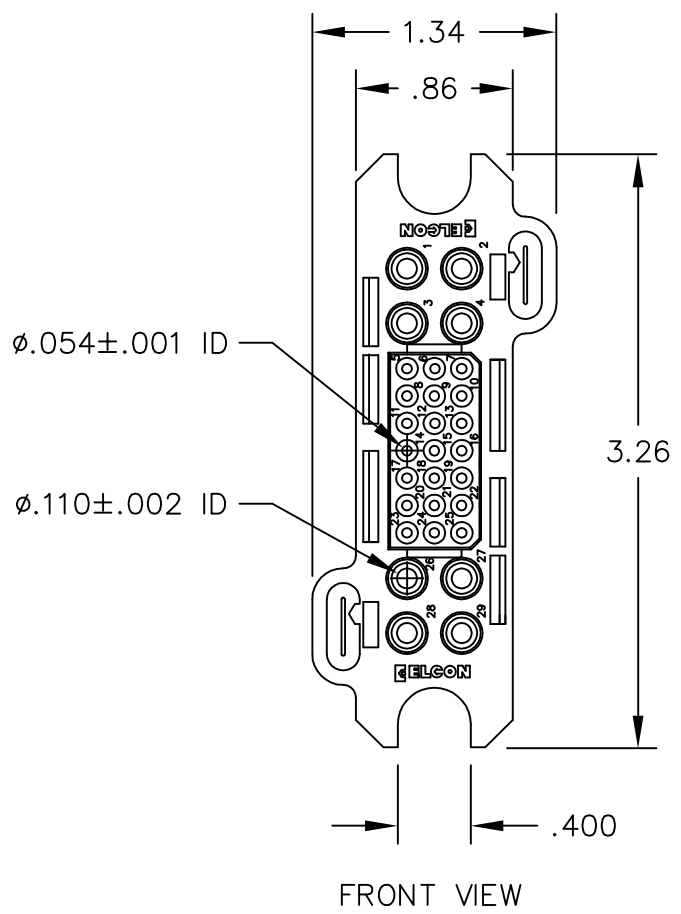
NOTES: UNLESS OTHERWISE SPECIFIED

5 TABLE - SOCKET CONNECTOR PN 1766989-1			
PART NUMBER	DESCRIPTION	POSITION	QTY
1648206-2	CONNECTOR, SOCKET, #12,#20,#12	NA	1
1648382-1	CONTACT, SOCKET, #20, PCB TAIL	5-8,12,13,16-19 & 21-25	15
6648374-1	CONTACT, SOCKET, #12, PCB TAIL	1-4 & 26-29	8

<p>THIRD ANGLE PROJECTION</p> <p>UNLESS OTHERWISE SPECIFIED DIMENSIONS ARE IN INCHES (METRIC)</p> <p>TOLERANCES</p> <p>ANGLES ± .5°</p> <p>DECIMALS</p> <p>.XXX ± .010 (.25)</p> <p>.XX ± .02 (.3)</p>	<p>INCH OR INCH (MM)</p> <p>OR INCH (MM)</p>	<p>DRAWN</p> <p>M. ALIM</p>	<p>DATE</p> <p>12/01/05</p>	<p><b>tyco</b> Tyco Electronics Corporation  <b>Electronics</b> Menlo Park, Ca 94025</p>	<p><b>ELCON</b></p>
	<p>CHECKED</p> <p>APPROVED</p> <p>APPROVED</p> <p>D. CHAU</p> <p>DCA APPROVED</p> <p>M. ALIM</p> <p>ACAD FILE NUMBER C1766989A.DWG</p>	<p>TITLE</p> <p>CONNECTOR, SOCKET  LOWER DRAWER  PN 1766989-1</p>	<p>SIZE</p> <p>B</p>	<p>DWG NUMBER</p> <p>C = 1766989</p>	<p>REV.</p> <p>A</p>
			<p>DWG SCALE 1=1</p>	<p>SH 1 OF 3</p>	

This drawing involves proprietary design rights of Tyco Electronics Corporation, and all design, manufacture, reproduction, use and sale rights regarding the same are expressly reserved. It is submitted for a specific purpose and the recipient by accepting this drawing, assumes custody and control and agrees to take reasonable precautions; (a) that this drawing will not be copied and reproduced, in whole or in part, or its contents revealed in any manner, or to any person except to meet the purpose for which it was delivered and (b) that any special features peculiar to this design will not be incorporated in other projects without the expressed written permission of Tyco Electronics Corporation.

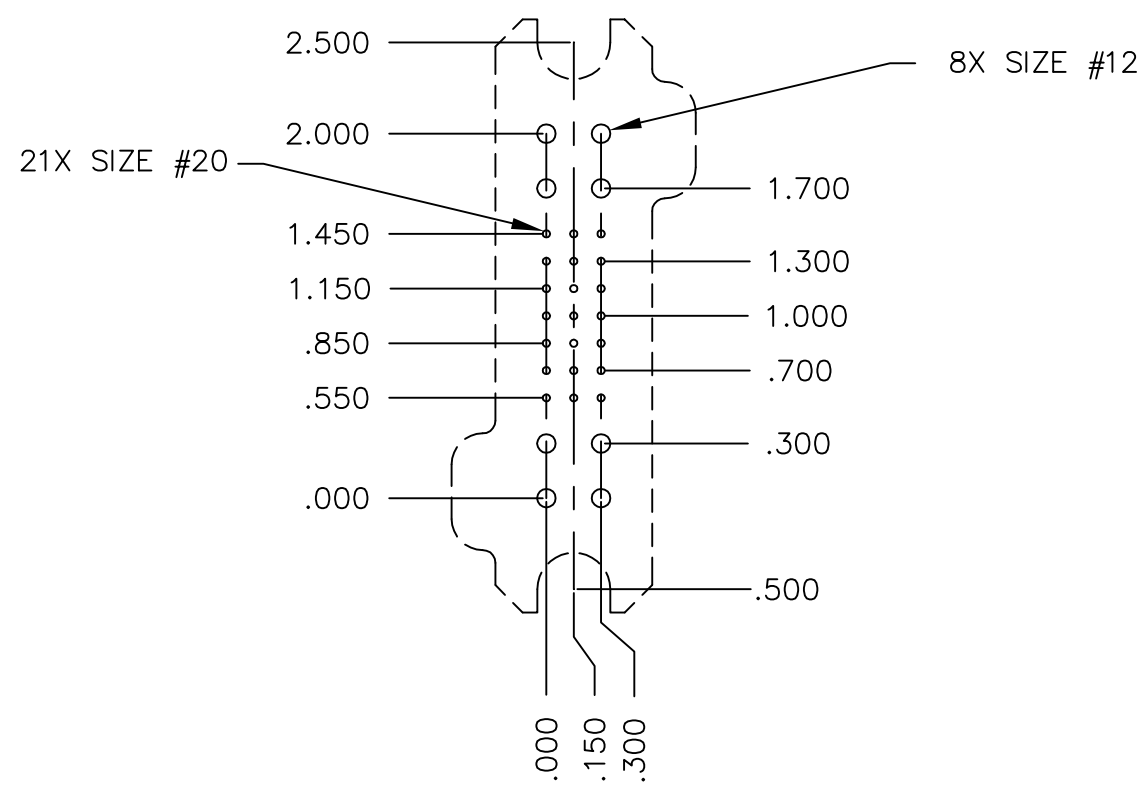
REVISIONS			
EC	REV	DESCRIPTION	DATE
		SEE SHEET 1	



INCH OR INCH (MM) MM  THIRD ANGLE PROJECTION UNLESS OTHERWISE SPECIFIED DIMENSIONS ARE IN INCHES (METRIC) TOLERANCES ANGLES $\pm .5^\circ$ DECIMALS .XXX $\pm .010$ (.25) .XX $\pm .02$ (.3)	DRAWN M. ALIM	DATE 12/01/05	 Tyco Electronics Corporation Menlo Park, Ca 94025 
	CHECKED	APPROVED	APPROVED D. CHAU 12/01/05
APPROVED M. ALIM 12/01/05	DCA APPROVED M. ALIM 12/01/05	ACAD FILE NUMBER C1766989A.DWG	SIZE DWG NUMBER B C= 1766989 REV. A
DWG SCALE 1=1			SH 2 OF 3

This drawing involves proprietary design rights of Tyco Electronics Corporation, and all design, manufacture, reproduction, use and sale rights regarding the same are expressly reserved. It is submitted for a specific purpose and the recipient by accepting this drawing, assumes custody and control and agrees to take reasonable precautions; (a) that this drawing will not be copied and reproduced, in whole or in part, or its contents revealed in any manner, or to any person except to meet the purpose for which it was delivered and (b) that any special features peculiar to this design will not be incorporated in other projects without the expressed written permission of Tyco Electronics Corporation.

REVISIONS			
EC	REV	DESCRIPTION	DATE
		SEE SHEET 1	



PCB FOOTPRINT, SOCKET SIDE  
(VIEWED FROM CONNECTOR MOUNTING SIDE)

- RECOMMENDED PRINTED CIRCUIT BOARD HOLE FOR SIZE #12 PCB TAIL  
 FINISHED HOLE:  $\phi.102$  [2.591]  $+0.002$  [.051]/ $-0.003$  [.076]  
 DRILLED HOLE:  $\phi.1065$  [2.705]  $\pm 0.0005$  [.0127]  
 COPPER PLATE: .0010 [.025] MINIMUM (PER SURFACE)  
 TIN PLATE: .0003 [.008] MINIMUM (PER SURFACE)
- RECOMMENDED PRINTED CIRCUIT BOARD HOLE FOR SIZE #20 PCB TAIL  
 FINISHED HOLE:  $\phi.040$  [1.016]  $\pm 0.003$  [.076]  
 DRILLED HOLE:  $\phi.0453$  [1.152]  $\pm 0.0005$  [.013]  
 COPPER PLATE: .0010 [.025] MINIMUM (PER SURFACE)  
 TIN PLATE: .0003 [.008] MINIMUM (PER SURFACE)

INCH OR INCH (MM)  THIRD ANGLE PROJECTION UNLESS OTHERWISE SPECIFIED DIMENSIONS ARE IN INCHES (METRIC) TOLERANCES ANGLES $\pm .5^\circ$ DECIMALS .XXX $\pm .010$ (.25) .XX $\pm .02$ (.3)	DRAWN M. ALIM	DATE 12/01/05	 Tyco Electronics Corporation Menlo Park, Ca 94025 
	CHECKED		
	APPROVED		SIZE B
	APPROVED D. CHAU	12/01/05	DWG NUMBER C= 1766989
	DCA APPROVED M. ALIM	12/01/05	REV. A
	ACAD FILE NUMBER C1766989A.DWG		DWG SCALE 1=1 SH 3 OF 3

# Mouser Electronics

Authorized Distributor

Click to View Pricing, Inventory, Delivery & Lifecycle Information:

[TE Connectivity:](#)

[1766989-1](#)