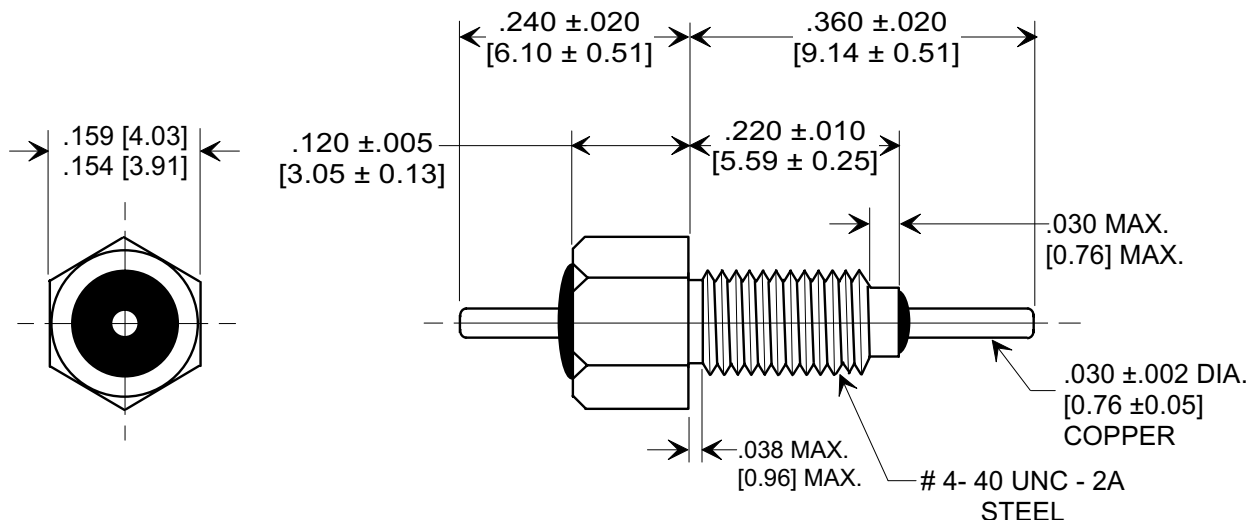
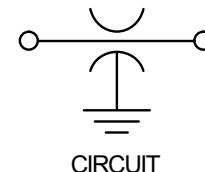
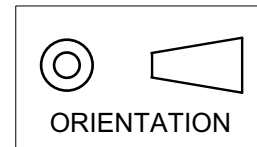


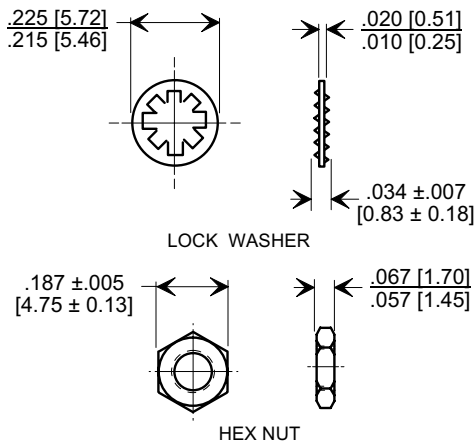
# MARKETING SALES DRAWING

Electrical Testing  
per Tusonix standard  
test plans and Mil-Std-202  
Test Methods.

**DIMENSIONS IN INCHES - DO NOT SCALE THIS DRAWING**  
**DIMENSIONS IN METRIC - [ ]**



### MOUNTING HARDWARE



### NOTES:

1. TUSONIX STANDARD PART NUMBER: 4400-030.  
TUSONIX RoHS COMPLIANT PART NUMBER: 4400-030 LF.  
CUSTOMER MUST SPECIFY STANDARD OR RoHS PART NUMBER WHEN ORDERING.
2. LEAD, BUSHING, AND MOUNTING HARDWARE: SILVER PLATED.
3. PART MARKING: TRADEMARK AND VARIATION NUMBER ON HEX FLATS. STANDARD PART: BLACK INK. RoHS PART: GREEN INK.
4. OPERATING TEMPERATURE RANGE : -55°C TO +125°C.
5. MAX. RECOMMENDED SOLDERING TEMPERATURE: 260°C.
6. SUPPLIED WITH HEX NUT AND INTERNAL TOOTH LOCK WASHER.
7. MAX. RECOMMENDED MOUNTING TORQUE - 2.0 lb.-in. [.226 Nm].

| CAP.(pf) | TOLERANCE | DC WORKING VOLTAGE |       | I.R. MIN. @ 100 (VDC.) | DWV (VDC) | DC CURRENT (AMPS) | MIN. NO LOAD INSERTION LOSS (dB) @ 25°C PER MIL-STD-220 |        |         |       |        |
|----------|-----------|--------------------|-------|------------------------|-----------|-------------------|---|--------|---------|-------|--------|
|          |           | 85°C               | 125°C |                        |           |                   | 1 MHz   | 10 MHz | 100 MHz | 1 GHz | 10 GHz |
| 100      | GMV       | 300                | 200   | 10 G Ω                 | 500       | 10                | ----  | ----   | 3       | 20    | 28     |

X-2015 Rev-0

|   |  |  |  |                 |
|---|--|--|--|-----------------|
| <b>REVISION RECORD</b><br>Original Release<br>C.O. <b>20011102-1-02</b><br>VARS 035,036,037 & 1MHz<br>COLUMN ADDED. L.E. 1-07-90<br><b>5591</b><br>RDN TO COMP FMT & ADDED METRIC. S.M. 11-08-01<br><b>20011102-1-02</b><br>REVISED DWG. DRAWING MADE FOR EACH VAR. S.M. 11-19-02<br><b>20021113-1-01</b><br>ADDED AND REVISED NOTES. S.M. 12-14-05<br><b>20051122-2-14</b> | --TOLERANCES--<br>Unless Otherwise Specified |  | Title<br><b>BUSHING STYLE EMI FILTER</b> |                 |
|   | DECIMAL ± NOTED                              |  | Drawn S.M. 11-08-01 Scale 5 X            |                 |
|   | ANGLES ±                                     |  | Approved B.Mc. 11-08-01                  |                 |
|   | <b>TUSONIX</b><br>TUCSON, ARIZONA            |  | <b>A</b>                                 | <b>4400-030</b> |

# Mouser Electronics

Authorized Distributor

Click to View Pricing, Inventory, Delivery & Lifecycle Information:

[Tusonix / CTS:](#)

[4400-030LF](#)