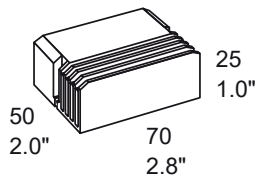




MELCHER™
The Power Partners.

PSA/PSR Series Positive Switching Regulator



The PSA/PSR Series of positive switching regulators are designed as power supplies for electronic systems when no input-to-output isolation is required. Their major advantages include a high level of efficiency, high reliability, low output ripple, and excellent dynamic response. Models with input voltages up to 144 V are especially designed for secondary-switched and battery-driven mobile applications. The regulators are suitable for railway applications according to EN 50155 and EN 50121.

The case design allows for operation up to 71 °C. The PSA/PSR Series are designed for wall or chassis mounting with faston connections or with solder pins for insertion into a PCB.

Various options are available to adapt the regulators to different applications.

Features

- RoHS lead-free-solder and lead-solder-exempted products are available
- 5 year warranty for RoHS compliant products with an extended temperature range
- Input voltage up to 144 VDC
- Single output of 5 to 48 VDC
- No input-to-output isolation
- High efficiency up to 95%
- Extremely wide input voltage range
- Low input-to-output differential voltage
- Very good dynamic properties
- Input undervoltage lockout
- Output voltage adjustment and inhibit function
- Continuously no-load and short-circuit proof
- All boards are coated with a protective lacquer
- Boards or chassis mountable

Safety-approved to the latest edition of IEC/EN 60950-1 and UL/CSA 60950-1



Table of Contents

| | |
|-----------------------------|----|
| Description..... | 1 |
| Model Selection..... | 2 |
| Functional Description..... | 3 |
| Electrical Input Data..... | 4 |
| Electrical Output Data..... | 6 |
| Auxiliary Functions..... | 10 |

| | |
|---|----|
| Electromagnetic Compatibility (EMC)..... | 11 |
| Immunity to Environmental Conditions..... | 12 |
| Mechanical Data..... | 13 |
| Safety and Installation Instructions..... | 14 |
| Description of Options..... | 15 |
| Accessories..... | 16 |

Model Selection

Table 1: Model Selection

| Output voltage $V_{o,nom}$ [V] | Output current $I_{o,nom}$ [A] | Operating input voltage range V_i [V] | Nom. input voltage $V_{o,nom}$ [V] | Efficiency ² | | Type designation | Options |
|-----------------------------------|-----------------------------------|--|---------------------------------------|-------------------------|------------------|------------------|--------------------------|
| | | | | η_{min} [%] | η_{max} [%] | | |
| 5 | 2 | 8 - 80 | 40 | 71.5 | 74 | PSR52-7 | Y |
| 5 | 3 | 8 - 80 | 40 | 77 | 79 | PSR53-9G | -7, i, P, R, Y, non-G |
| 5 | 4 | 7 - 40 | 20 | 82 | 83 | PSR54-9iG | -7, P, R, Y, non-G |
| 5 | 5 | 7 - 35 | 20 | 81 | 83 | PSA55-9iG | -7, R, Y, non-G |
| 5.1 | 2 | 8 - 80 | 20 | 75 | - | PSA5A2-2 | iRY ³ |
| 5.1 | 5 | 7 - 35 | 20 | 83 | - | PSA5A5-2 | -7, iRY ³ |
| 12 | 1.5 | 18 - 144 ¹ | 60 | 86 | 87 | PSA121.5-9iRG | -7, Y, non-G |
| 12 | 2.5 | 15 - 80 | 40 | 86 | 87 | PSR122.5-9iG | -7, P, R, Y, non-G |
| 12 | 3 | 15 - 40 | 20 | 89 | - | PSA123-2 | iRY ³ |
| 15 | 1.5 | 22 - 144 ¹ | 60 | 86 | 87 | PSA151.5-9iRG | -7, Y, non-G |
| 15 | 2.5 | 19 - 80 | 40 | 88 | 89 | PSR152.5-9G | -7, P, R, Y, non-G |
| 15 | 3 | 19 - 40 | 30 | 90 | - | PSA153-2 | iRY ³ |
| 24 | 1.5 | 31 - 144 ¹ | 60 | 92 | 93 | PSA241.5-9iRG | -7, Y, non-G |
| 24 | 2 | 29 - 80 | 50 | 91 | 92 | PSR242-9iG | -7, P, R, Y, non-G |
| 24 | 2.5 | 29 - 60 | 40 | 93 | - | PSA242.5-2G | iRY ³ , non-G |
| 36 | 1.2 | 44 - 144 ¹ | 80 | 93 | 95 | PSA361-9iRG | -7, Y, non-G |
| 36 | 2 | 42 - 80 | 60 | 92 | 94 | PSR362-9iRG | -7, Y, non-G |
| 48 | 1 | 58 - 144 ¹ | 80 | 93 | 95 | PSA481-9iRG | -7, Y, non-G |

¹ Surges up to 156 V for 2 s; see *Electrical Input Data*

² Efficiency at $V_{i,nom}$ and $I_{o,nom}$

³ Options iRY in a package

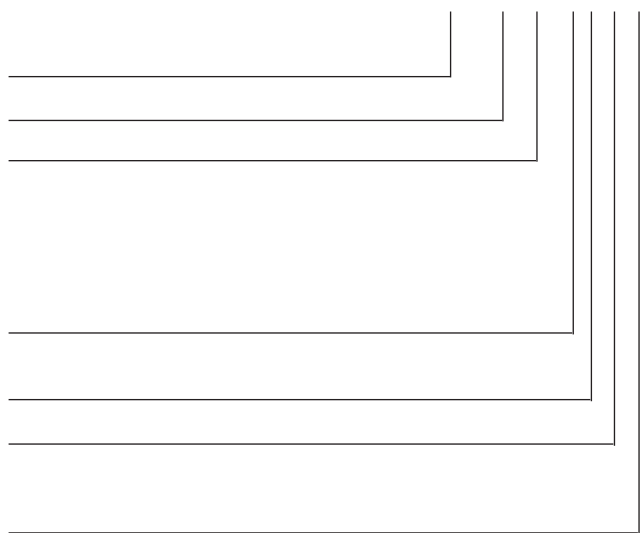
NFND: Not for new designs. Preferred for new designs.

Note: The output voltage V_o is adjusted to 108% of $V_{o,nom}$ for all models with option P or R, if they don't have option Y in addition.

Part Number Description

PSA 12 1.5 -9 i R G

- Positive switching regulator in case A01 PSA or PSR
- Nominal output voltage in Volt 5 to 48
- Nominal output current in Ampere 1 to 5
- Operational ambient temperature range T_A
 - 10 to 50 °C -2
 - 25 to 50 °C (customer-specific models) -5
 - 25 to 71 °C (option) -7
 - 40 to 71 °C -9
 - other (customer-specific models) 0
- Inhibit input (standard for all -7 and -9 models) i
- Control input for output voltage adjustment¹ R
- Potentiometer¹ (option, NFND) P
- RoHS-compliant for all 6 substances G



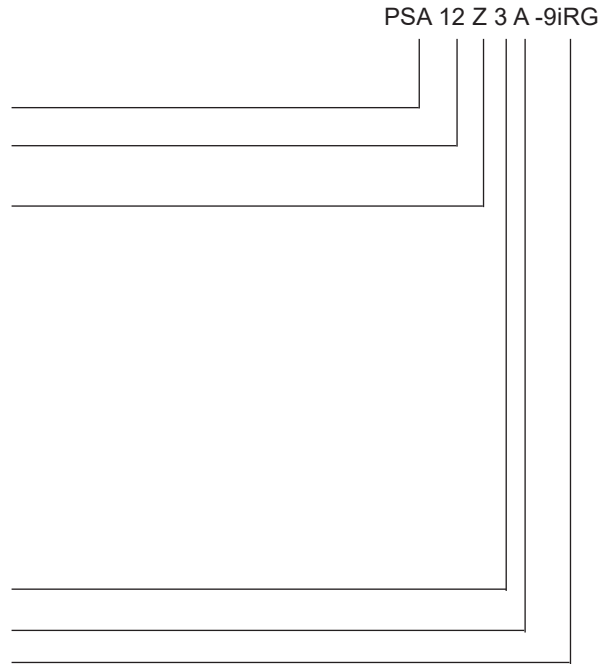
¹ Option P excludes feature R.

Note: The sequence of options must follow the order above.

Example: PSA121.5-9iRG designates a positive switching regulator with an output 12 V, 1.5 A, ambient temperature -40 to 71 °C, inhibit input, output voltage adjust by R-pin, RoHS-compliant for all 6 substances.

Customer-Specific Models

| | |
|--|-----------|
| Positive switching regulator in case A01 | PSA |
| Nominal output voltage in Volt (without decimals)..... | 12 |
| Decimal places: | |
| 0.0 V..... | Z |
| 0.1 V..... | A |
| 0.15 V..... | B |
| 0.2 V..... | C |
| 0.25 V..... | D |
| 0.3 V..... | E |
| 0.4 V..... | F |
| 0.5 V..... | G |
| 0.6 V..... | H |
| 0.7 V..... | J |
| 0.8 V..... | K |
| 0.9 V..... | L |
| other..... | Y |
| Output current in Amperes | 3 |
| Identification character | A, B, ... |
| Temperature range and options | -9iRG |



Product Marking

Type designation, applicable safety approval marks, warnings, pin allocation, patent nos., and company logo.

Input voltage range, nominal output voltage and current, pin allocation of auxiliary functions and options, and protection degree. Identification of LED and the optional potentiometer.

Label with input voltage range, nominal output voltage and current, protection degree, batch no., serial no., and data code including production site, version (modification status), date of production.

Functional Description

The switching regulators use the buck converter topology. The input is not electrically isolated from the output. During the on period of the switching transistor, current is transferred to the output, and energy is stored in the output choke. During the off period, this energy forces the current to continue flowing through the output, to the load, and back through the freewheeling diode. Regulation is accomplished by varying the duty cycle (on/off ratio) of the main switch. The regulator starts operating only when the input voltage exceeds the trigger level of the UVL (undervoltage lockout).

These regulators are ideal for a wide range of applications, where input to output isolation is not necessary or is already provided by an external front end (e.g., a transformer with rectifier). To optimize customers' needs, additional options and accessories are available.

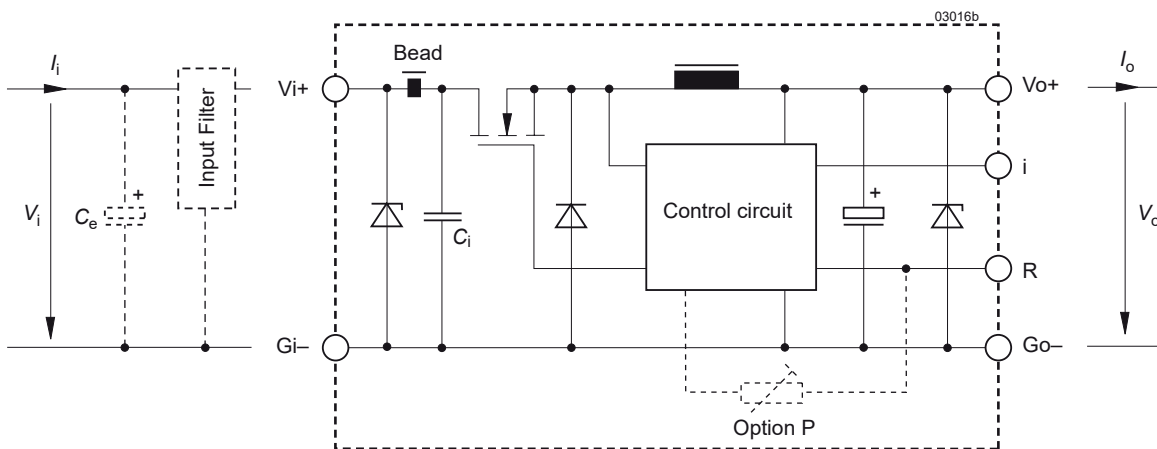


Fig. 1
Block diagram. The resistance of the input circuit

Electrical Input Data

General Conditions: $T_A = 25\text{ °C}$, unless T_C is specified

Table 2a: Input data (-2 models)

| Model | | Conditions | PSA55 | | | PSA5A5 | | | PSR54 | | | PSA5A2 | | | Unit | |
|---------------------|--------------------------------|--|-------|-----|----------------|--------|-----|-----|-------|-----|----------------|--------|-----|-----|-------|-----|
| Characteristics | | | min | typ | max | min | typ | max | min | typ | max | min | typ | max | | |
| V_i | Operating input voltage | $I_o = 0 - I_{o,nom}$ $T_{C,min} - T_{C,max}$ | 7 | | 35 | 7 | | 35 | 7 | | 40 | 7 | | 40 | V | |
| $\Delta V_{io,min}$ | Min. diff. voltage $V_i - V_o$ | | | | 2 | | | 1.9 | | | | 2 | | | | 2.9 |
| $V_{i,UVL}$ | Undervoltage lockout | | 6.3 | | 6.6 | 6.3 | | 6.4 | 6.3 | | 6.5 | 7.3 | | 7.6 | | |
| I_o | No-load input current | $I_o = 0, V_{i,min} - V_{i,max}$ | | | 45 | | | 50 | | | 45 | | | 50 | mA | |
| $I_{in,p}$ | Inrush peak current | $V_{i,nom}$ | | | 75 | | | 75 | | | 75 | | | 75 | A | |
| R_i | Input resistance | | | | 10 | | | 10 | | | 10 | | | 10 | mΩ | |
| C_i | Input capacitance | | | | 6.8 | | | 6.8 | | | 6.8 | | | 6.8 | μF | |
| $V_{i,RFI}$ | EN 55011, 0.15 - 30 MHz | $V_{i,nom}, I_{o,nom}$ | | | A ¹ | | | --- | | | A ¹ | | | --- | Class | |

Table 2b: Input data

| Model | | Conditions | PSA123 | | | PSA153 | | | PSA242.5 | | | Unit |
|---------------------|--------------------------------|--|--------|-----|-----|--------|-----|-----|----------|-----|------|-------|
| Characteristics | | | min | typ | max | min | typ | max | min | typ | max | |
| V_i | Operating input voltage | $I_o = 0 - I_{o,nom}$ $T_{C,min} - T_{C,max}$ | 15 | | 40 | 19 | | 40 | 29 | | 60 | V |
| $\Delta V_{io,min}$ | Min. diff. voltage $V_i - V_o$ | | | | 3 | | | 4 | | | 5 | |
| $V_{i,UVL}$ | Undervoltage lockout | | 7.3 | | 8.0 | 7.3 | | 9.0 | 12 | | 13.7 | |
| I_o | No-load input current | $I_o = 0, V_{i,min} - V_{i,max}$ | | | 50 | | | 50 | | | 50 | mA |
| $I_{in,p}$ | Inrush peak current | $V_{i,nom}$ | | | 75 | | | 150 | | | 150 | A |
| R_i | Input resistance | | | | 10 | | | 10 | | | 10 | mΩ |
| C_i | Input capacitance | | | | 6.8 | | | 6.8 | | | 6.8 | μF |
| $V_{i,RFI}$ | EN 55011, 0.15 - 30 MHz | $V_{i,nom}, I_{o,nom}$ | | | --- | | | --- | | | --- | Class |

Table 2c: Input data

| Model | | Conditions | PSR52 | | | PSR53 | | | PSR122.5 | | | Unit |
|---------------------|--------------------------------|--|-------|-----|----------------|-------|-----|----------------|----------|-----|----------------|-------|
| Characteristics | | | min | typ | max | min | typ | max | min | typ | max | |
| V_i | Operating input voltage | $I_o = 0 - I_{o,nom}$ $T_{C,min} - T_{C,max}$ | 8 | | 80 | 8 | | 80 | 15 | | 80 | V |
| $\Delta V_{io,min}$ | Min. diff. voltage $V_i - V_o$ | | | | 3 | | | 3 | | | 3 | |
| $V_{i,UVL}$ | Undervoltage lockout | | 7.3 | | 7.6 | 7.3 | | 7.6 | 7.3 | | 8 | |
| I_o | No-load input current | $I_o = 0, V_{i,min} - V_{i,max}$ | | | 40 | | | 40 | | | 35 | mA |
| $I_{in,p}$ | Inrush peak current | $V_{i,nom}$ | | | 150 | | | 150 | | | 150 | A |
| R_i | Input resistance | | | | 10 | | | 10 | | | 10 | mΩ |
| C_i | Input capacitance | | | | 6.8 | | | 6.8 | | | 6.8 | μF |
| $V_{i,RFI}$ | EN 55011, 0.15 - 30 MHz | $V_{i,nom}, I_{o,nom}$ | | | A ² | | | A ² | | | A ² | Class |

¹ With $C_o = 470\text{ μF} / 40\text{ V}$ and input filter FP38; see *Accessories*.

² With $C_o = 470\text{ μF} / 100\text{ V}$ and input filter FP80; see *Accessories*.

Table 2d: Input data. General Conditions as per Table 2a

| Model | | | PSR152.5 | | | PSR242 | | | PSR362 | | | PSA121.5 | | | Unit | |
|---------------------|--------------------------------|--|----------|-----|----------------|--------|------|----------------|--------|------|----------------|----------|-----|------------------|-------|---|
| Characteristics | | Conditions | min | typ | max | min | typ | max | min | typ | max | min | typ | max | | |
| V_i | Operating input voltage | $I_o = 0 - I_{o,nom}$ $T_{C,min} - T_{C,max}$ | 19 | | 80 | 29 | | 80 | 42 | | 80 | 18 | | 144 ¹ | V | |
| $\Delta V_{io,min}$ | Min. diff. voltage $V_i - V_o$ | | | | 3 | | | 4 | | | | 5 | | | | 6 |
| $V_{i,UVL}$ | Undervoltage lockout | | 7.3 | 9.0 | | 12 | 13.7 | | 19 | 20.5 | | | 12 | 12.5 | | |
| I_{i0} | No-load input current | $I_o = 0, V_{i,min} - V_{i,max}$ | | | 35 | | | 35 | | | 40 | | | 20 | mA | |
| I_{inrp} | Inrush peak current | $V_{i,nom}$ | | | 150 | | | 150 | | | 150 | | | 150 | A | |
| R_i | Input resistance | | | | 10 | | | 10 | | | 10 | | | 10 | mΩ | |
| C_i | Input capacitance | | | | 6.8 | | | 6.8 | | | 6.8 | | | 2.2 | μF | |
| $V_{i,RFI}$ | EN 55011, 0.15 - 30 MHz | $V_{i,nom}, I_{o,nom}$ | | | A ² | | | A ² | | | A ² | | | A ³ | Class | |

Table 2e: Input data. General Conditions as per table 2a

| Model | | | PSA151.5 | | | PSA241.5 | | | PSA361 | | | PSA481 | | | Unit | |
|---------------------|--------------------------------|--|----------|------|------------------|----------|-----|------------------|--------|-----|------------------|--------|-----|------------------|-------|----|
| Characteristics | | Conditions | min | typ | max | min | typ | max | min | typ | max | min | typ | max | | |
| V_i | Operating input voltage | $I_o = 0 - I_{o,nom}$ $T_{C,min} - T_{C,max}$ | 22 | | 144 ¹ | 31 | | 144 ¹ | 44 | | 144 ¹ | 58 | | 144 ¹ | V | |
| $\Delta V_{io,min}$ | Min. diff. voltage $V_i - V_o$ | | | | 7 | | | 7 | | | | 8 | | | | 10 |
| $V_{i,UVL}$ | Undervoltage lockout | | 18 | 18.5 | | 22 | 23 | | 31 | 32 | | | 44 | 45 | | |
| I_{i0} | No-load input current | $I_o = 0, V_{i,min} - V_{i,max}$ | | | 20 | | | 20 | | | 25 | | | 25 | mA | |
| I_{inrp} | Inrush peak current | $V_{i,nom}$ | | | 150 | | | 150 | | | 150 | | | 150 | A | |
| R_i | Input resistance | | | | 10 | | | 10 | | | 10 | | | 10 | mΩ | |
| C_i | Input capacitance | | | | 2.2 | | | 2.2 | | | 2.2 | | | 2.2 | μF | |
| $V_{i,RFI}$ | EN 55011, 0.15 - 30 MHz | $V_{i,nom}, I_{o,nom}$ | | | A ³ | | | A ³ | | | A ³ | | | A ³ | Class | |

¹ Surges up to 156 V for 2 s

² With $C_e = 470 \mu F / 100 V$ and input filter FP80; see *Accessories*

³ With $C_e = 2 \times 3.3 \mu F / 250 V$ MKT and input filter FP144; see *Accessories*

External Input Circuitry

The sum of the lengths of the supply lines to the source or to the nearest capacitor $\geq 100 \mu F$ (a + b) should not exceed 5 m. External input filter is recommended in order to prevent power line oscillations and reduce superimposed interference voltages.

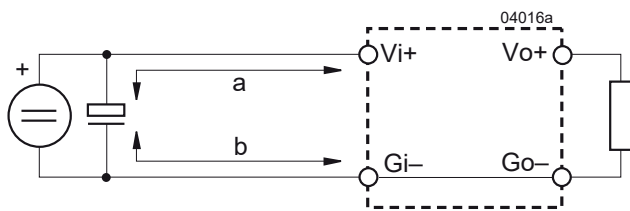


Fig. 2
Switching regulator with long supply lines.

Electrical Output Data

General conditions:

- $T_A = 25\text{ °C}$, unless T_C is specified
- R-input open (or V_o set to $V_{o\text{ nom}}$ with option P)

Table 3a: Output data

| Output | | | PSA55 | | | PSA5A5 | | | PSR54 | | | PSA5A2 | | | Unit |
|-----------------|--|---------------------|---|-----|-----|--------|------|-------|-------|-------|------|------------------|------|-----|------|
| Characteristics | | Conditions | min | typ | max | min | typ | max | min | typ | max | min | typ | max | |
| V_o | Output voltage ¹ | | $V_{i\text{ nom}}, I_{o\text{ nom}}$ | | | 4.97 | 5.03 | 5.05 | 5.15 | 4.97 | 5.03 | 5.05 | 5.15 | V | |
| I_o | Output current | | $V_{i\text{ min}} - V_{i\text{ max}}$ | | | 0 | 5.0 | 0 | 5.0 | 0 | 4.0 | 0 | 2.0 | A | |
| I_{oL} | Output current limitation | | $T_{C\text{ min}} - T_{C\text{ max}}$ | | | 5.0 | 6.5 | 5.0 | 6.5 | 4.0 | 5.2 | 2.0 | 2.6 | | |
| V_o | Output voltage noise | Switching frequency | $V_{i\text{ nom}}, I_{o\text{ nom}}$ IEC/EN 61204 | | | 20 | 50 | 70 | 15 | 40 | 40 | mV _{pp} | | | |
| | | Total | BW = 20 MHz | | | 24 | 70 | 100 | 19 | 60 | 60 | | | | |
| ΔV_{oV} | Static line regulation | | $V_{i\text{ min}} - V_{i\text{ max}}, I_{o\text{ nom}}$ | | | 30 | 40 | 40 | 30 | 40 | 40 | mV | | | |
| ΔV_{oI} | Static load regulation | | $V_{i\text{ nom}}, I_o = 0 - I_{o\text{ nom}}$ | | | 20 | 25 | 25 | 10 | 45 | 20 | | | | |
| V_{oD} | Dynamic load regulation | Voltage deviation | $V_{i\text{ nom}}$ $I_{o\text{ nom}} \leftrightarrow 1/3 I_{o\text{ nom}}$ | | | 250 | 300 | 200 | 300 | µs | | | | | |
| t_d | | Recovery time | IEC/EN 61204 | | | 40 | 100 | 40 | 100 | | | | | | |
| α_{V_o} | Temperature coefficient $\Delta V_o / \Delta T_C (T_{C\text{ min}} - T_{C\text{ max}})$ | | $V_{i\text{ min}} - V_{i\text{ max}}$ $I_o = 0 - I_{o\text{ nom}}$ | | | ±0.02 | | ±0.02 | | ±0.02 | | %/K | | | |

Table 3b: Output data

| Output | | | PSA123 | | | PSA153 | | | PSA242.5 | | | Unit | |
|-----------------|--|---------------------|---|-----|-----|--------|------|-------|------------------|-------|------|------|--|
| Characteristics | | Conditions | min | typ | max | min | typ | max | min | typ | max | | |
| V_o | Output voltage ¹ | | $V_{i\text{ nom}}, I_{o\text{ nom}}$ | | | 11.9 | 12.1 | 14.9 | 15.1 | 23.8 | 24.2 | V | |
| I_o | Output current | | $V_{i\text{ min}} - V_{i\text{ max}}$ | | | 0 | 3.0 | 0 | 3.0 | 0 | 2.5 | A | |
| I_{oL} | Output current limitation | | $T_{C\text{ min}} - T_{C\text{ max}}$ | | | 3.0 | 3.9 | 3.0 | 3.9 | 2.5 | 3.25 | | |
| V_o | Output voltage noise | Switching frequency | $V_{i\text{ nom}}, I_{o\text{ nom}}$ IEC/EN 61204 | | | 90 | 110 | 150 | mV _{pp} | | | | |
| | | Total | BW = 20 MHz | | | 110 | 150 | 170 | | | | | |
| ΔV_{oV} | Static line regulation | | $V_{i\text{ min}} - V_{i\text{ max}}, I_{o\text{ nom}}$ | | | 70 | 85 | 180 | mV | | | | |
| ΔV_{oI} | Static load regulation | | $V_{i\text{ nom}}, I_o = 0 - I_{o\text{ nom}}$ | | | 40 | 60 | 140 | | | | | |
| V_{oD} | Dynamic load regulation | Voltage deviation | $V_{i\text{ nom}}$ $I_{o\text{ nom}} \leftrightarrow 1/3 I_{o\text{ nom}}$ | | | 360 | 450 | 720 | µs | | | | |
| t_d | | Recovery time | IEC/EN 61204 | | | 120 | 120 | 160 | | | | | |
| α_{V_o} | Temperature coefficient $\Delta V_o / \Delta T_C (T_{C\text{ min}} - T_{C\text{ max}})$ | | $V_{i\text{ min}} - V_{i\text{ max}}$ $I_o = 0 - I_{o\text{ nom}}$ | | | ±0.02 | | ±0.02 | | ±0.02 | | %/K | |

¹ Models with option R, but without option Y, are adjusted to 108% of $V_{o\text{ nom}}$. Models with option P are preadjusted to 108% of $V_{o\text{ nom}}$.

Table 3c: Output data. General conditions as per table 3a

| Output | | | PSR52 | | | PSR53 | | | PSR122.5 | | | Unit | | | |
|-----------------|--|---------------------|--|-----|-----|-------|-----|------|----------|-----|------|-------|--|------|------------------|
| Characteristics | | Conditions | min | typ | max | min | typ | max | min | typ | max | | | | |
| V_o | Output voltage ¹ | | $V_{i\text{nom}}, I_{o\text{nom}}$ | | | 4.97 | | 5.03 | 4.97 | | 5.03 | 11.9 | | 12.1 | V |
| I_o | Output current | | $V_{i\text{min}} - V_{i\text{max}}$ | | | 0 | | 2.0 | 0 | | 3.0 | 0 | | 2.5 | A |
| I_{oL} | Output current limitation | | $T_{C\text{min}} - T_{C\text{max}}$ | | | 2.0 | | 2.6 | 3.0 | | 3.9 | 2.5 | | 3.25 | |
| V_o | Output voltage noise | Switching frequency | $V_{i\text{nom}}, I_{o\text{nom}}$ IEC/EN 61204 | | | 20 | | 40 | 20 | | 60 | 30 | | 70 | mV _{pp} |
| | | Total | BW = 20 MHz | | | 24 | | 60 | 24 | | 80 | 35 | | 90 | |
| ΔV_{oV} | Static line regulation | | $V_{i\text{min}} - V_{i\text{max}}, I_{o\text{nom}}$ | | | 30 | | 40 | 30 | | 45 | 30 | | 45 | mV |
| ΔV_{oI} | Static load regulation | | $V_{i\text{nom}}, I_o = 0 - I_{o\text{nom}}$ | | | 20 | | 25 | 20 | | 25 | | | 40 | |
| V_{od} | Dynamic load regulation | Voltage deviation | $V_{i\text{nom}}$ $I_{o\text{nom}} \leftrightarrow 1/3 I_{o\text{nom}}$ | | | 100 | | | 100 | | | 180 | | μs | |
| t_d | | Recovery time | IEC/EN 61204 | | | 50 | | | 50 | | | 60 | | | |
| α_{Vo} | Temperature coefficient $\Delta V_o / \Delta T_C (T_{C\text{min}} - T_{C\text{max}})$ | | $V_{i\text{min}} - V_{i\text{max}}$ $I_o = 0 - I_{o\text{nom}}$ | | | ±0.02 | | | ±0.02 | | | ±0.02 | | %/K | |

Table 3d: Output data. General conditions as per table 3a

| Output | | | PSR152.5 | | | PSR242 | | | PSR362 | | | PSA121.5 | | | Unit | | | |
|-----------------|--|---------------------|--|-----|-----|--------|-----|-------|--------|-----|-------|----------|-----|-------|-------|----|-------|------------------|
| Characteristics | | Conditions | min | typ | max | min | typ | max | min | typ | max | min | typ | max | | | | |
| V_o | Output voltage ¹ | | $V_{i\text{nom}}, I_{o\text{nom}}$ | | | 14.91 | | 15.09 | 23.86 | | 24.14 | 35.78 | | 36.22 | 11.93 | | 12.07 | V |
| I_o | Output current | | $V_{i\text{min}} - V_{i\text{max}}$ | | | 0 | | 2.5 | 0 | | 2.0 | 0 | | 2.0 | 0 | | 1.5 | A |
| I_{oL} | Output current limitation | | $T_{C\text{min}} - T_{C\text{max}}$ | | | 2.5 | | 3.25 | 2.0 | | 2.6 | 2.0 | | 2.6 | 1.5 | | 1.9 | |
| V_o | Output voltage noise | Switching frequency | $V_{i\text{nom}}, I_{o\text{nom}}$ IEC/EN 61204 | | | 40 | | 110 | 30 | | 150 | 80 | | 200 | 20 | | 40 | mV _{pp} |
| | | Total | BW = 20 MHz | | | 50 | | 150 | 40 | | 170 | 85 | | 220 | 24 | | 50 | |
| ΔV_{oV} | Static line regulation | | $V_{i\text{min}} - V_{i\text{max}}, I_{o\text{nom}}$ | | | 70 | | 85 | 60 | | 220 | 200 | | 250 | 20 | | 80 | mV |
| ΔV_{oI} | Static load regulation | | $V_{i\text{nom}}, I_o = 0 - I_{o\text{nom}}$ | | | 40 | | 50 | 90 | | 160 | 125 | | 160 | 20 | | 30 | |
| V_{od} | Dynamic load regulation | Voltage deviation | $V_{i\text{nom}}$ $I_{o\text{nom}} \leftrightarrow 1/3 I_{o\text{nom}}$ | | | 180 | | | 210 | | | 250 | | 50 | | μs | | |
| t_d | | Recovery time | IEC/EN 61204 | | | 60 | | | 80 | | | 100 | | 50 | | | | |
| α_{Vo} | Temperature coefficient $\Delta V_o / \Delta T_C (T_{C\text{min}} - T_{C\text{max}})$ | | $V_{i\text{min}} - V_{i\text{max}}$ $I_o = 0 - I_{o\text{nom}}$ | | | ±0.02 | | | ±0.02 | | | ±0.02 | | | ±0.02 | | %/K | |

Table 3e: Output data. General conditions as per table 3a

| Output | | | PSA151.5 | | | PSA241.5 | | | PSA361 | | | PSA481 | | | Unit | |
|-----------------|---|--|---|-------|------------|----------|-------|------------|--------|-------|------------|--------|-------|------------|------|------------------|
| Characteristics | | Conditions | min | typ | max | min | typ | max | min | typ | max | min | typ | max | | |
| V_o | Output voltage ¹ | $V_{i\text{nom}}, I_{o\text{nom}}$ | 14.91 | 15.09 | | 23.86 | 24.14 | | 35.78 | 36.22 | | 47.71 | 48.29 | V | | |
| I_o | Output current | $V_{i\text{min}} - V_{i\text{max}}$ | 0 | 1.5 | | 0 | 1.5 | | 0 | 1.2 | | 0 | 1.0 | A | | |
| I_{oL} | Output current limitation | $T_{C\text{min}} - T_{C\text{max}}$ | 1.5 | 1.9 | | 1.5 | 1.9 | | 1.2 | 1.5 | | 1.0 | 1.3 | | | |
| V_o | Output voltage noise | Switching frequency | $V_{i\text{nom}}, I_{o\text{nom}}$ | | | 25 | 50 | | 45 | 75 | | 45 | 80 | 50 | 75 | mV _{pp} |
| | | Total | IEC/EN 61204 | | | 29 | 60 | | 50 | 120 | | 50 | 120 | 55 | 120 | |
| ΔV_{oV} | Static line regulation | $V_{i\text{min}} - V_{i\text{max}}, I_{o\text{nom}}$ | 40 | 40 | | 40 | 80 | | 80 | 120 | | 90 | 120 | mV | | |
| ΔV_{oI} | Static load regulation | $V_{i\text{nom}}, I_o = 0 - I_{o\text{nom}}$ | 20 | 50 | | 30 | 40 | | 40 | 80 | | 60 | 100 | | | |
| V_{od} | Dynamic load regulation | Voltage deviation | $V_{i\text{nom}}$ | | | 50 | | | 50 | | | 200 | | 300 | | |
| t_d | | Recovery time | $I_{o\text{nom}} \leftrightarrow 1/3 I_{o\text{nom}}$ | | | 50 | | | 60 | | | 40 | | 100 | | μs |
| α_{Vo} | Temperature coefficient | $V_{i\text{min}} - V_{i\text{max}}$ | | | ± 0.02 | | | ± 0.02 | | | ± 0.02 | | | ± 0.02 | %/K | |
| | $\Delta V_o / \Delta T_C (T_{C\text{min}} - T_{C\text{max}})$ | $I_o = 0 - I_{o\text{nom}}$ | | | | | | | | | | | | | | |

¹ Models with option R, but without option Y, are adjusted to 108% of $V_{o\text{nom}}$. Models with option P are preadjusted to 108% of $V_{o\text{nom}}$.

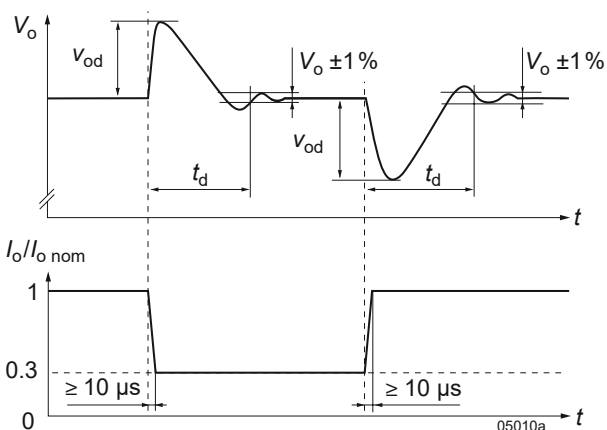


Fig. 3
Switching regulator with long supply lines.

Thermal Considerations

When a switching regulator is located in free, quasi-stationary air (convection cooling) at a temperature $T_A = 71\text{ }^\circ\text{C}$ and is operated at $I_{o,nom}$, the case temperature T_C will be about $95\text{ }^\circ\text{C}$ after the warm-up phase, measured at the measuring point of case temperature T_C ; see *Mechanical Data*.

Under practical operating conditions, T_A may exceed $71\text{ }^\circ\text{C}$, provided that additional measures (heat sink, fan etc.) are taken to ensure that T_C does not exceed $T_{C,max}$.

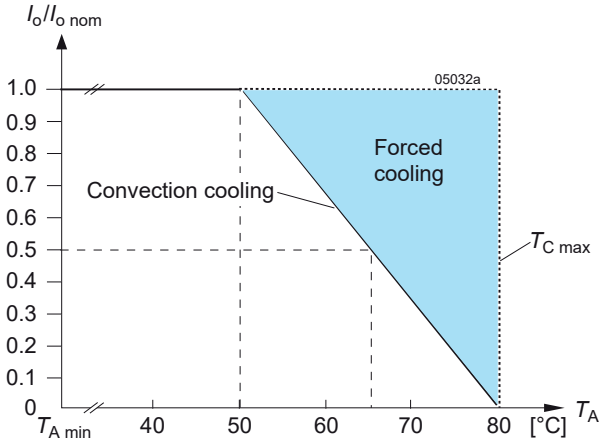


Fig. 4a
Output current versus temperature (models -2)

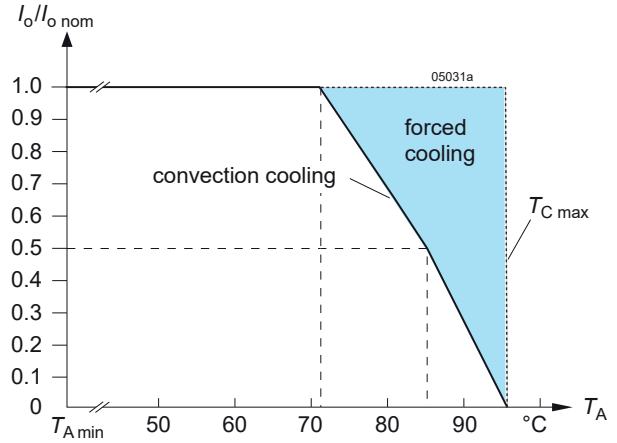


Fig. 4b
Output current versus temperature (models -7 and -9)

Output Protection and Short Circuit Behavior

A voltage suppressor diode, which in worst case conditions fails into a short circuit, protects the output against an internally generated overvoltage. Such an overvoltage could occur due to a failure of either the control circuit or the switching transistor. The output protection is not designed to withstand externally applied overvoltages.

A constant current limitation circuit holds the output current almost constant, when an overload or a short circuit is applied to the output. It acts self-protecting and recovers automatically after removal of the overload or short-circuit condition.

Parallel and Series Connection

Outputs of equal nominal voltages can be parallel-connected. However, the use of a single regulator with higher output power, is always the better solution.

In parallel-connected operation, one or several outputs may operate continuously at their current limit knee-point which will cause an increase of the heat generation. Consequently, the max. ambient temperature should be reduced by 10 K.

Outputs can be series-connected with any other regulator. In series-connection the maximum output current is limited by the lowest current limitation, but electrically separated source voltages are needed for each regulator.

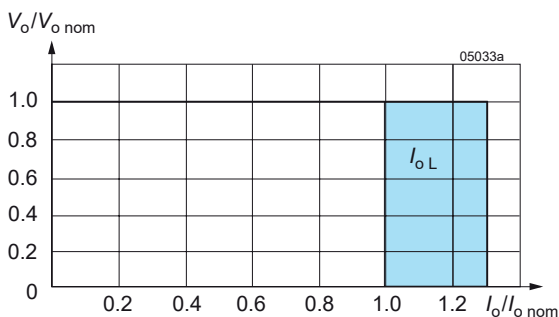


Fig. 5
Overload and short-circuit behavior V_o versus I_o

Auxiliary Functions

i Inhibit (Remote On / Off)

The inhibit input allows the switching regulator output to be disabled via a control signal. In systems with several converters, this feature can be used, for example, to control the activation sequence of the converters by a logic signal (TTL, C-MOS, etc.). No output voltage overshoot will occur at switch-on.

Note: With open i-pin, the output is enabled.

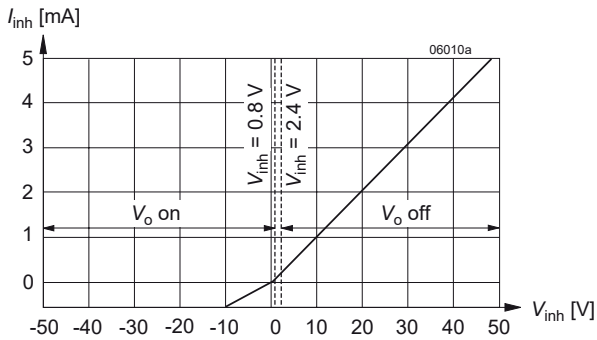


Fig. 6
Typical inhibit current I_{inh} versus inhibit voltage V_{inh}

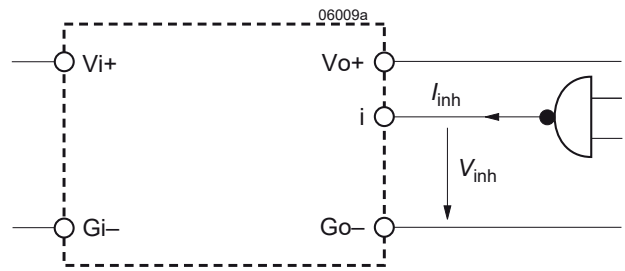


Fig. 7
Definition of I_{inh} and V_{inh}

Table 4: Inhibit characteristics

| Characteristics | | Conditions | min | typ | max | Unit |
|-----------------|------------------------------|---|---------------------------|------|------|------|
| V_{inh} | Inhibit input voltage | $V_o = \text{on}$ | $V_{i \min} - V_{i \max}$ | -10 | +0.8 | V |
| | | $V_o = \text{off}$ | $T_{C \min} - T_{C \max}$ | +2.4 | +50 | |
| t_r | Switch-on time | $V_i = V_{i \text{ nom}}$ | | 2 | | ms |
| t_f | Switch-off time | $R_L = V_{o \text{ nom}} / I_{o \text{ nom}}$ | | 4 | | |
| I_{inh} | Input current when inhibited | $V_i = V_{i \text{ nom}}$ | | 10 | | mA |

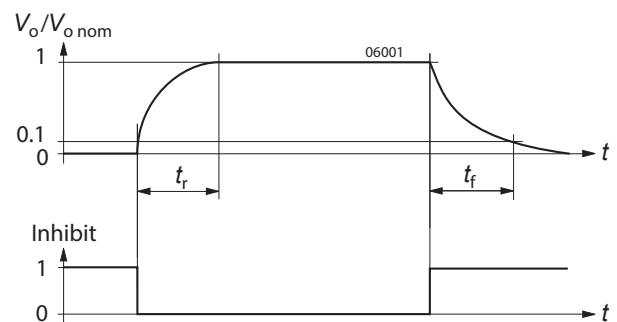


Fig. 8
Output response as a function of inhibit signal

LED Output Voltage Indicator

A yellow LED indicator is illuminated, when the output voltage is present (not for -2 models).

Electromagnetic Compatibility (EMC)

Electromagnetic Immunity

Table 8: Electromagnetic immunity type tests

| Phenomenon | Standard | Level | Coupling mode | Value applied | Waveform | Source imped. | Test procedure | In oper. | Perf. crit. ² | |
|---|------------------|----------------|---------------------------|----------------------------------|--|---------------|---|----------|--------------------------|-----------------|
| Voltage surge ³ | IEC 60571-1 | 3 | i/c, +i/-i | 800 V _p | 100 μs | 100 Ω | 1 positive and 1 negative surge per coupling mode | yes | B | |
| | | | | 1500 V _p | 50 μs | | | | | |
| | | | | 3000 V _p | 5 μs | | | | | |
| | | | | 4000 V _p | 1 μs | | | | | |
| | | | | 7000 V _p | 100 ns | | | | | |
| Electrostatic discharge ⁵ | IEC/EN 61000-4-2 | 3 ³ | contact discharge to case | 6000 V _p ³ | 1/50 ns | 330 Ω | 10 pos. & 10 neg. discharges | yes | B ⁵ | |
| | | 2 ⁴ | | 4000 V _p ⁴ | | | | | | |
| Electromagnetic field | IEC/EN 61000-4-3 | x | antenna | 20 V/m | AM 80% / 1 kHz | N/A | 80 – 1000 MHz | yes | A | |
| | | | | 20 V/m | | | | | | 800 – 1000 MHz |
| | | | | 10 V/m | | | | | | 1400 – 2000 MHz |
| | | | | 5 V/m | | | | | | 2000 – 2500 MHz |
| | | | | 3 V/m | | | | | | 5100 – 6000 MHz |
| Electrical fast transients / burst ⁵ | IEC/EN 61000-4-4 | 3 ³ | i/c, +i/-i | 2000 V _p | bursts of 5/50 ns; 5 kHz repet. rate; transients with 15 ms burst duration; 300 ms period | 50 Ω | 60 s positive 60 s negative transients per coupling mode | yes | A ⁵ | |
| | | 2 ⁴ | | 1000 V _p | | | | | | |
| Surges ⁵ | IEC/EN 61000-4-5 | 2 ³ | +i/-i | 1000 V _p | 1.2 / 50 μs | 2 Ω | 5 pos. & 5 neg. surges per coupling mode | yes | A ⁵ | |
| | | 2 | +i/-i | 1000 V _p | | | | | | 42 Ω |
| Conducted disturbances | IEC/EN 61000-4-6 | 3 ³ | i, o, signal wires | 10 VAC ³ | AM 80% / 1 kHz | 150 Ω | 0.15 – 80 MHz | yes | A | |
| | | 2 ⁴ | | 3 VAC ⁴ | | | | | | |

¹ i = input, o = output, c = case.

² A = Normal operation, no deviation from specifications, B = Normal operation, temporary loss of function or deviation from specs possible

³ Not applicable for -2 models

⁴ Valid for -2 models

⁵ With the filters and input caps as specified in the foot notes of table 2

Electromagnetic Emission

For emission levels refer to *Electrical Input Data*.

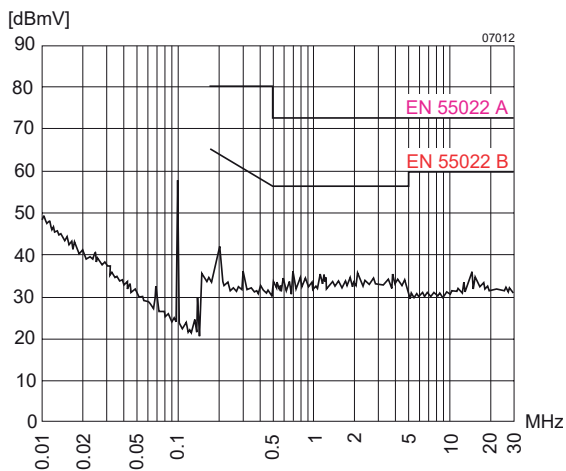


Fig. 9

Typical disturbance voltage (quasi-peak) at the input as per EN 55011, measured at $V_{i,nom}$, $I_{o,nom}$.

Immunity to Environmental Conditions

Table 6: Mechanical and climatic stress

| Test method | | Standard | Test Conditions | | Status |
|-------------|--|---|--------------------------------|---|-------------------------|
| Cab | Damp heat steady state | IEC/EN 60068-2-78 MIL-STD-810D section 507.2 | Temperature: | 40 ±2 °C | Regulator not operating |
| | | | Relative humidity: | 93 ±2/-3 % | |
| | | | Duration: | 56 days | |
| Ea | Shock (half-sinusoidal) | IEC/EN 60068-2-27 MIL-STD-810D section 516.3 | Acceleration amplitude: | 50 g _n = 490 m/s ² | Regulator operating |
| | | | Bump duration: | 11 ms | |
| | | | Number of bumps: | 18 (3 in each direction) | |
| Fc | Vibration (sinusoidal) | IEC/EN 60068-2-6 MIL-STD-810D section 514.3 | Acceleration amplitude: | 0.35 mm (10 – 60 Hz) | Regulator operating |
| | | | | 5 g _n = 49 m/s ² (60 - 2000 Hz) | |
| | | | Frequency (1 Oct/min): | 10 – 2000 Hz | |
| | | | Test duration: | 7.5 h (2.5 h in each axis) | |
| Fda | Random vibration wide band Reproducibility high | IEC/EN 60068-2-35 DIN 40046 part 23 | Acceleration spectral density: | 0.05 g _n ² /Hz | Regulator operating |
| | | | Frequency band: | 20 to 500 Hz | |
| | | | Acceleration magnitude: | 4.9 g _{n rms} | |
| | | | Test duration: | 3 h (1 h in each axis) | |
| Kb | Salt mist cyclic (sodium chloride NaCl solution) | IEC/EN 60068-2-52 | Concentration: | 5 % (30 °C) | Regulator not operating |
| | | | Duration: | 2 h per cycle | |
| | | | Storage: | 40 °C, 93% rel. humidity | |
| | | | Storage duration: | 22 h per cycle | |
| | | | Number of cycles: | 3 | |

Temperatures

Table 7: Temperature specifications, valid for air pressure of 800 to 1200 hPa (800 to 1200 mbar)

| Temperature | | | -2 | | | -7 (Option) | | | -9 (Option) | | | Unit |
|-----------------|----------------------------------|---------------------|------|-----|-----|-------------|-----|-----|-------------|-----|-----|------|
| Characteristics | Conditions | | min | typ | max | min | typ | max | min | typ | max | |
| T _A | Ambient temperature ¹ | Regulator operating | - 10 | | 50 | - 25 | | 71 | - 40 | | 71 | ° C |
| T _C | Case temperature | | - 10 | | 80 | - 25 | | 95 | - 40 | | 95 | |
| T _S | Storage temperature ¹ | Not operational | - 25 | | 100 | - 40 | | 100 | - 55 | | 85 | |

¹ See *Thermal Considerations*.

Reliability

Table 8: Typical MTBF and device hours

| MTBF Case temperature | Ground benign | Ground fixed | | Ground mobile | Device hours ¹ |
|-------------------------------|------------------------|------------------------|------------------------|------------------------|---------------------------|
| | T _c = 40 °C | T _c = 40 °C | T _c = 70 °C | T _c = 50 °C | |
| MTBF accord. to MIL-HDBK-217F | 789 000 h | 200 000 h | 104 000 h | 104 000 h | 5 100 000 h |

¹ Statistical values, based on an average of 4300 working hours per year and in general field use

Safety and Installation Instructions

Installation Instruction

Installation must strictly follow the national safety regulations in compliance with the enclosure, mounting, creepage, clearance, casualty, markings and segregation requirements of the end-use application.

Check for hazardous voltages before connecting.

The input and the output circuit are not separated, i.e. the negative path is internally interconnected.

Do not open the regulator !

Ensure that a regulator failure (e.g. by an internal short-circuit) does not result in a hazardous condition.

Cleaning Liquids

In order to avoid possible damage, any penetration of cleaning fluids must be prevented, since the power supplies are not hermetically sealed.

Protection Degree

The protection degree is IP 30 (IP 20, if equipped with option P). It applies only if the regulator is soldered to the mother board.

Standards and Approvals

All switching regulators have been approved according to the latest edition of IEC/EN 60950-1 and UL/CSA60950-1

The regulators have been evaluated for:

- Building in
- The use in a pollution degree 2 environment
- Connecting the input to a secondary circuit, which is subject to a maximum transient rating of 1500 V.

The switching regulators are subject to manufacturing surveillance in accordance with the above mentioned standards and with ISO 9001:2015.

Isolation

Electric strength test voltage between input connected with output against case: 1500 VDC, ≥ 1 s (for some PSA/PSR models only with version V103 or higher).

These tests are performed in the factory as routine test in accordance with EN 50514 and EN 60950.

Railway Application

The regulators have been developed observing the railway standards EN 50155 and EN 50121. All boards are coated with a protective lacquer.

Description of Options

-9 Extended Temperature Range

This option defines an extended temperature range as specified in table 7.

R Control (Output Voltage Adjust)

Note: With open R input, $V_o \approx V_{o\text{ nom}}$.

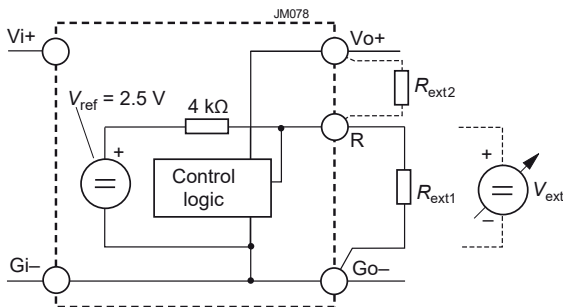


Fig. 11

Voltage adjustment via R-input

The output voltage V_o can either be adjusted with an external voltage source (V_{ext}) or with an external resistor (R_1 or R_2). The adjustment range is 0 – 108% of $V_{o\text{ nom}}$. The minimum differential voltage $\Delta V_{\text{io min}}$ between input and output (see *Electrical Input Data*) should be maintained.

a) $V_o = 0 - V_{o\text{ max}}$, using V_{ext} between pins R and Go-:

$$V_{\text{ext}} \approx 2.5\text{ V} \cdot \frac{V_o}{V_{o\text{ nom}}} \quad V_o \approx V_{o\text{ nom}} \cdot \frac{V_{\text{ext}}}{2.5\text{ V}}$$

Caution: To prevent damage, V_{ext} should not exceed 20 V, nor be negative.

b) $V_o = 0$ to $V_{o\text{ nom}}$, using R_{ext1} between pins R and Go-:

$$R_{\text{ext1}} \approx \frac{4000\ \Omega \cdot V_o}{V_{o\text{ nom}} - V_o} \quad V_o \approx \frac{V_{o\text{ nom}} \cdot R_{\text{ext1}}}{R_{\text{ext1}} + 4000\ \Omega}$$

c) $V_o = V_{o\text{ nom}}$ to $V_{o\text{ max}}$, using R_{ext2} between pins R and Go-:

$$R_{\text{ext2}} \approx \frac{4000\ \Omega \cdot V_o \cdot (V_{o\text{ nom}} - 2.5\text{ V})}{2.5\text{ V} \cdot (V_o - V_{o\text{ nom}})}$$

$$V_o \approx \frac{V_{o\text{ nom}} \cdot 2.5\text{ V} \cdot R_{\text{ext2}}}{2.5\text{ V} \cdot (R_{\text{ext2}} + 4000\ \Omega) - V_{o\text{ nom}} \cdot 4000\ \Omega}$$

Caution: To prevent damage, R_{ext2} should never be less than 47 kΩ.

Note: With option R, the output voltage V_o is adjusted to 108% of $V_{o\text{ nom}}$, if the regulator doesn't have option Y in addition.

P Potentiometer

Option P excludes R function; the R-input (pin 16) should be left open-circuit. The output voltage V_o can be adjusted in the range 90 – 108% of $V_{o\text{ nom}}$.

However, the minimum differential voltage $\Delta V_{\text{io min}}$ between input and output specified in *Electrical Input Data* must be observed.

Note: Option P is not recommended, if several regulators are operated in parallel connection.

Y Solder Pins

Models with rectangular pins 1.0 × 0.5 mm (length 6.5 mm). Such regulators can be fitted to PCB boards (through-plated holes with \varnothing 1.3 to 1.5 mm).

G RoHS Compliance

Models with G are RoHS-compliant for all six substances.

Accessories

A variety of electrical and mechanical accessories are available including:

- Filters and ring core chokes for ripple and interference reduction; see table 9.
- Tags and isolation pads for easy and safe PCB-mounting
- Adapters for chassis and DIN-rail mounting

Isolation Pads for PCB Mounting

In applications, where PCB mounting converters are placed on top of double sided boards, the use of an isolation pad is recommended. This fibre foil avoids short circuits and provide excellent protection against possible damage to tracks.

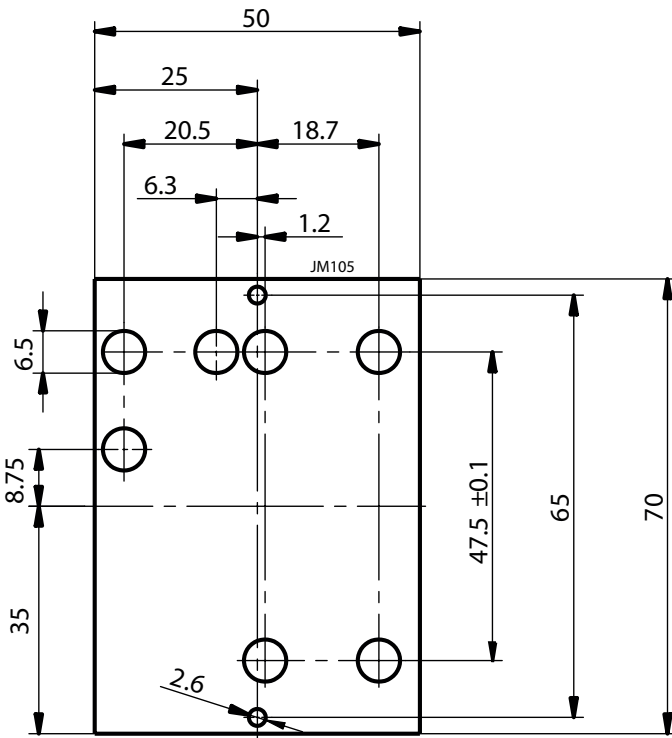


Fig. 12
Isolation pad HZZ01203-G (ISOLATIONA,A01); 0.3 mm thick

Input filters

Different input filters are available; see table 9.

Table 9: Input filters FP. $T_A = 25^\circ\text{C}$ unless otherwise specified

| Characteristics | | Conditions | FP 38 ² | | | FP 80 | | | FP 144 | | | Unit |
|-----------------|----------------------------|----------------------------------|--------------------|-----|-----|-------|-----|-----|--------|-----|-----|------|
| | | | min | typ | max | min | typ | max | min | typ | max | |
| I_{Fn} | Rated current ¹ | $L = 0.75 L_o$ | 4 | | | 4 | | | 2 | | | A |
| V_{Fn} | Rated voltage | $T_{C\min} - T_{C\max}$ | 5 | | 40 | 5 | | 80 | 15 | | 144 | VDC |
| R_F | Ohmic resistance | | 18 | 20 | 22 | 18 | 20 | 22 | 90 | 95 | 100 | mΩ |
| L_o | No load inductance | $I_L = 0, T_{C\min} - T_{C\max}$ | 30 | 34 | 38 | 30 | 34 | 38 | 88 | 100 | 112 | μH |
| T_A | Ambient temperature | $I_F = I_{Fn}$ | - 40 | | 80 | - 40 | | 80 | - 40 | | 95 | °C |
| T_C | Case temperature | | - 40 | | 92 | - 40 | | 92 | - 40 | | 98 | |
| T_s | Storage temperature | Not operational | - 40 | | 100 | - 40 | | 100 | - 55 | | 100 | |

¹ For currents $I_F > 4$ A the following derating takes place: $T_{A\max} = 100 - 1.3 \cdot I_F^2$ [°C], $T_{C\max} = 100 - 0.49 \cdot I_F^2$ [°C].

² FP 38 is obsolete.



Fig. 13
Different filters

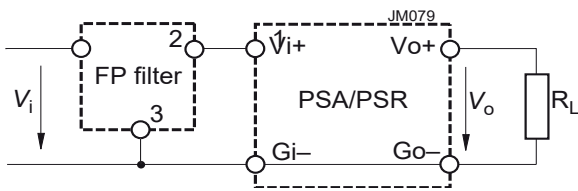


Fig. 14
Connection of the FP filter

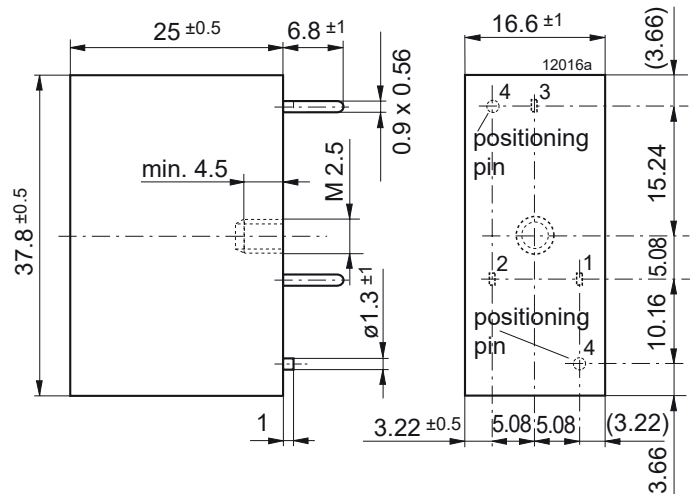


Fig. 15
Mechanical data of the FP filter. Weight approx. 30 g

Mounting Supports

Different mounting supports for DIN-rail and chassis mounting are described in the [Mounting Supports](#) data sheet on our web site. They also allow for fitting additional components.

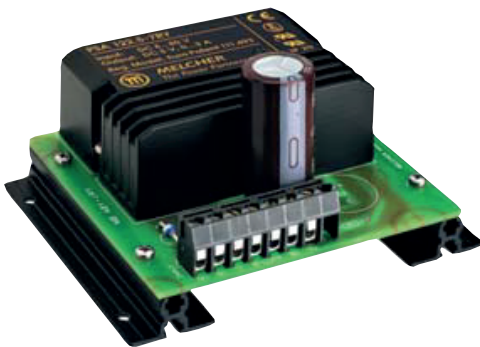


Fig. 16
Adapter for chassis mounting

For additional accessory product information, see the accessory data sheets listed with each product series at our web site.

NUCLEAR AND MEDICAL APPLICATIONS - These products are not designed or intended for use as critical components in life support systems, equipment used in hazardous environments, or nuclear control systems.

TECHNICAL REVISIONS - The appearance of products, including safety agency certifications pictured on labels, may change depending on the date manufactured. Specifications are subject to change without notice.