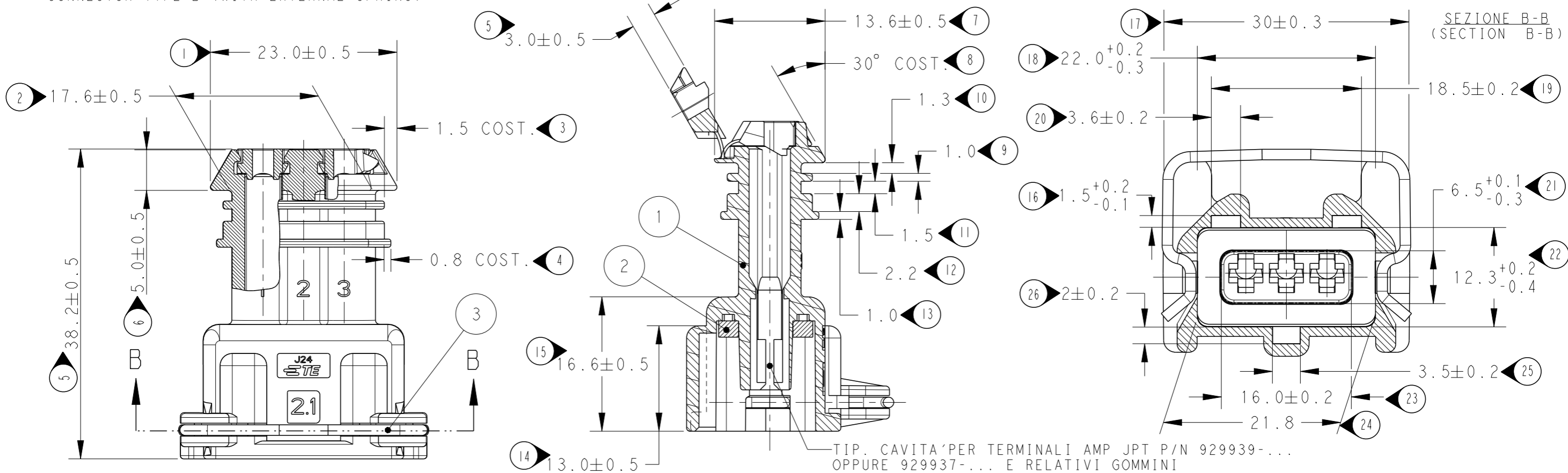


P	LTR	DESCRIPTION	DATE	DWN	APVD
P2		REVISED PER ECO-17-008827	29 JUN 2017	AP	MP

CONNECTOR TIPO A (CON MOLLA DI RITEGNO ESTERNA)  
CONNECTOR TYPE B (WITH EXTERNAL SPRING)

SECTION A-A

SEZIONE B-B  
(SECTION B-B)



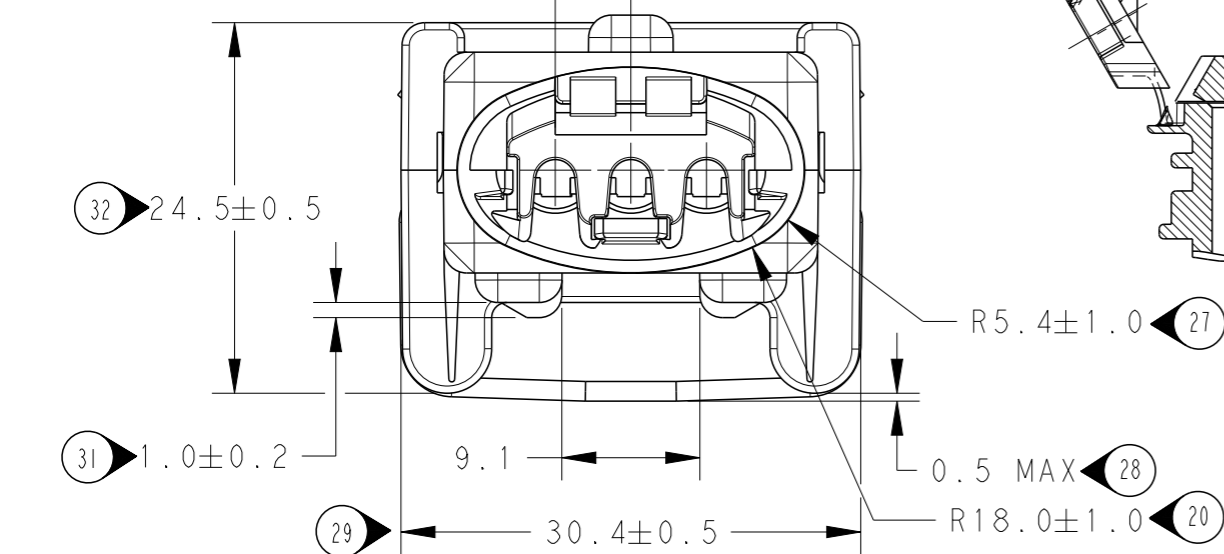
TIP. CAVITA' PER TERMINALI AMP JPT P/N 929939-...  
OPPURE 929937-... E RELATIVI GOMMINI  
AMP P/N 828904-1, 828905-1, 282536-1.  
TAPPO CAVITA' P/N 828906-2  
(TYP. CAV FOR JPT CONT. P/N 929939-...  
A/O 929937-... AND REL. SINGLE WIRE SEAL  
P/N 828904-1, 828905-1, 282536-1  
CAVITY PLUG P/N 828906-2)

DIAM (ISOLANTE) (INS. DIA. RANGE)	RANGE FILO (WIRE RANGE)
1.5-3.0 mm (RED. INS. CABLE)	0.5-2.5 mm <sup>2</sup>

33) PASSO 5.0±0.15 TIP  
(PITCH 5.0±0.15 TYP)

ASSE CONNETTORE  
(CONNECTOR CENTER LINE)

ASSE CAVITA'  
(CAVITY CENTER LINE)



NERO (BLACK)	2-282191-1 P1	1
<del>NERO (BLACK)</del>	<del>1-282191-1</del>	SUPERSEDED BY 282191-1
ROSSO (RED)	---	CUSTOMER DRAWING FOR REFERENCE ONLY
GIALLO (YELLOW)	---	
MARRONE (BROWN)	282191-6	3
BLU (BLUE)	282191-5	
VERDE (GREEN)	282191-4	2
NATURALE (NATUR)	282191-3	
GRIGIO (GREY)	282191-2	1
NERO (BLACK)	282191-1	

		ACCIAIO INOX (STAINLESS STEEL)	MOLLA (SPRING)
		GOMMA SILICONE (SILICONE RUBER)	GUARNIZIONE (RUBBER GASKET)
		PA 6.6	BLOCCHETTO (HOUSING)

THIS DRAWING IS A CONTROLLED DOCUMENT.

DIMENSIONS: mm	TOLERANCES UNLESS OTHERWISE SPECIFIED:
	0 PLC ±-
	1 PLC ±0.3
	2 PLC ±-
	3 PLC ±-
	4 PLC ±-
	ANGLES ±2°
MATERIAL	FINISH

DWN	9 NOV 90
CHK	E. CINI
CHK	C. TARTARI
APVD	13 OCT 92
PRODUCT SPEC	-
APPLICATION SPEC	-
WEIGHT	-
CUSTOMER DRAWING	-

**STE** TE Connectivity

NAME: 3 W. SPLASH PROOF CONN. ASS'Y WITH SECONDARY LOCK

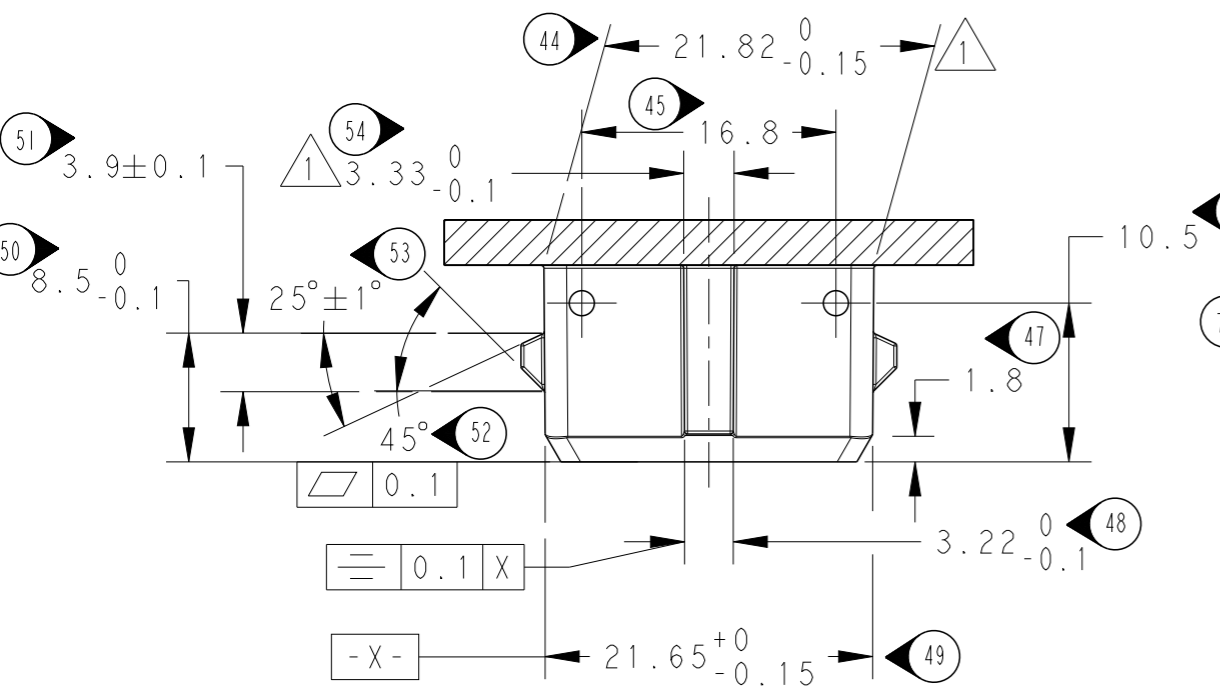
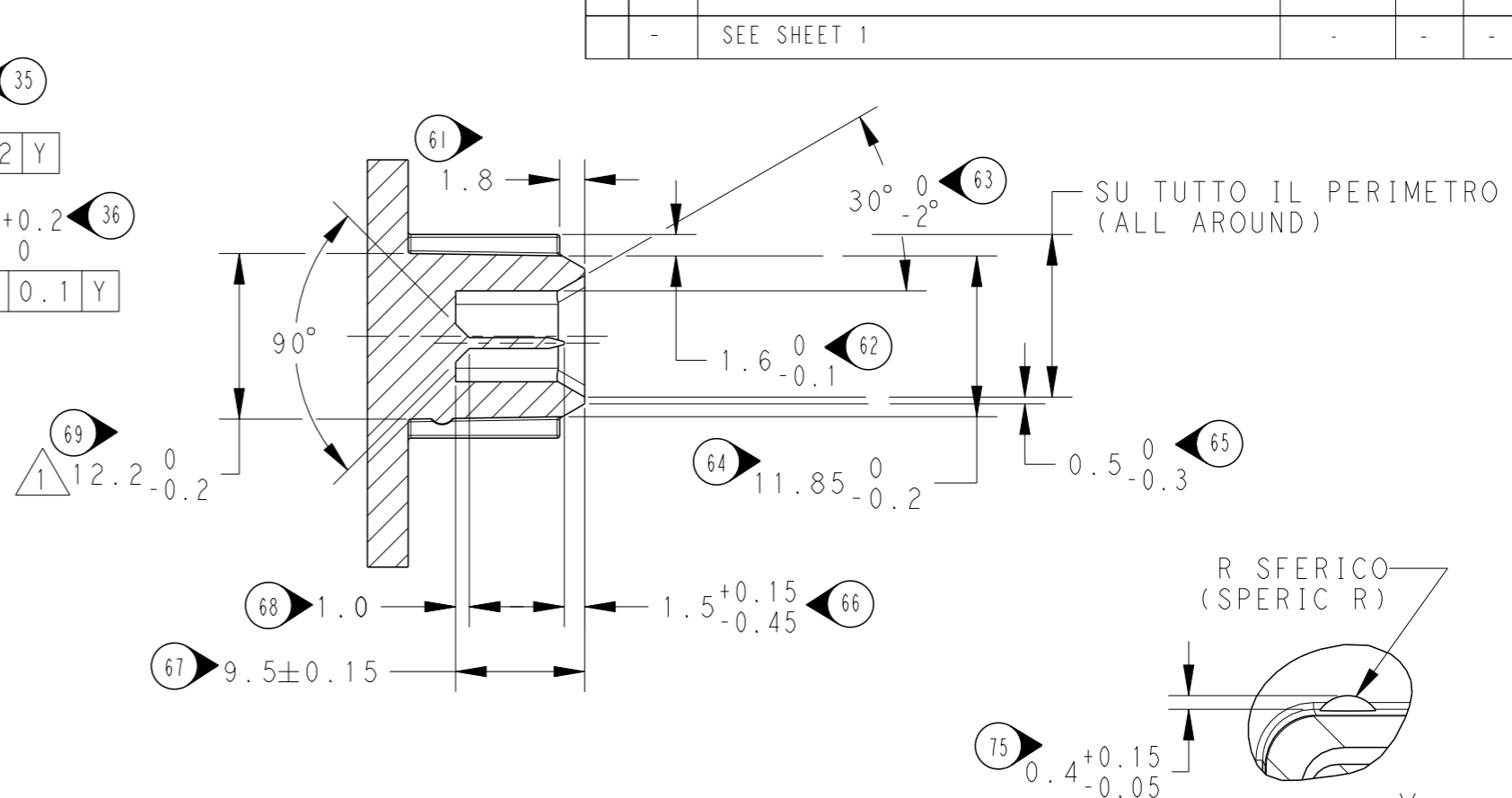
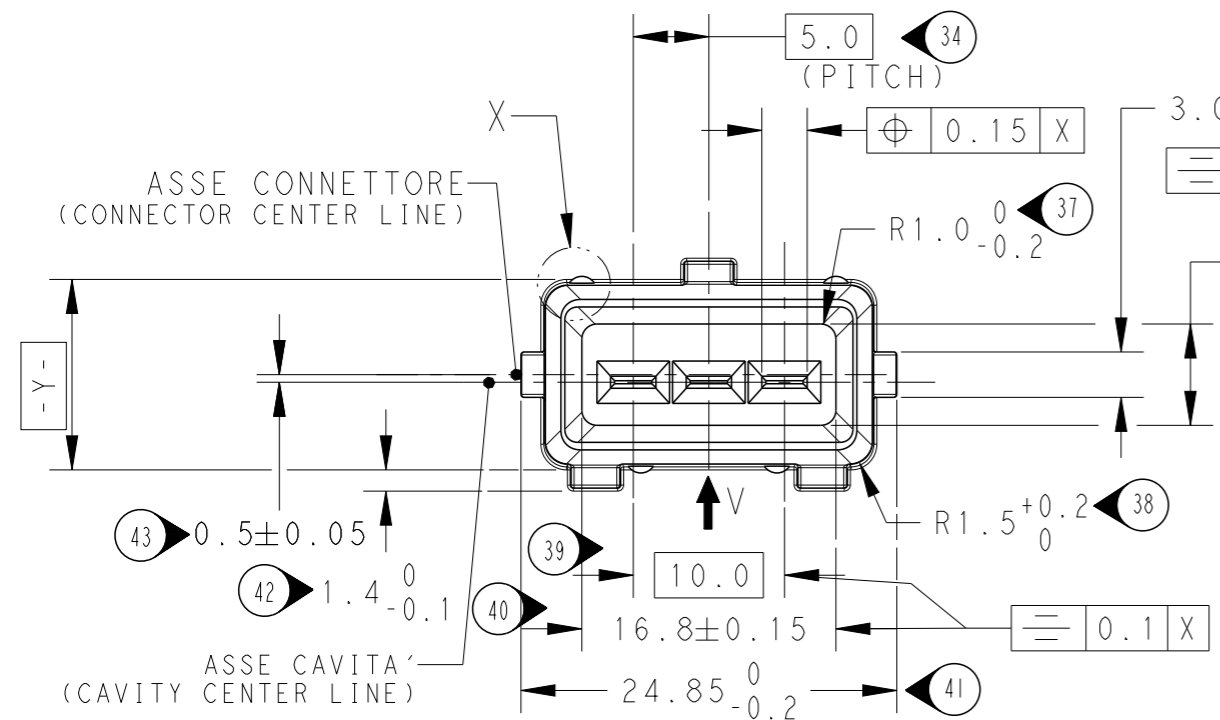
SIZE: A3 CAGE CODE: - DRAWING NO: C-282191 RESTRICTED TO: -

SCALE: 2:1 SHEET: 1 OF 2 REV: P2

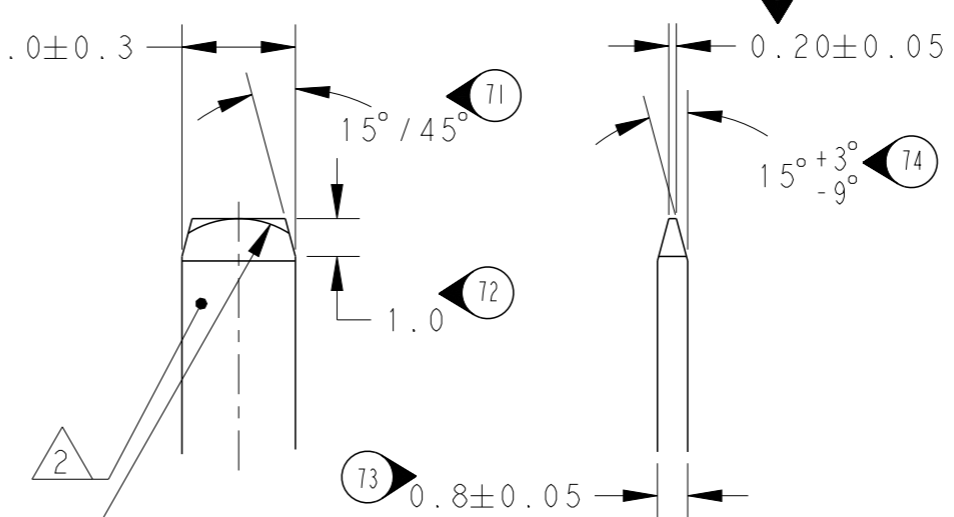
1) DIFFERISCE DAL ...-1 ESCLUSIVAMENTE PER IL PACKAGING  
(DIFFERS FROM ...-1 ONLY FOR PACKAGING DETAILS)

2) PER DIMENSIONI CONTROPARTE VEDERE FOGLIO 2  
(FOR COUNTERPART DIMENSIONS SEE SHEET 2)

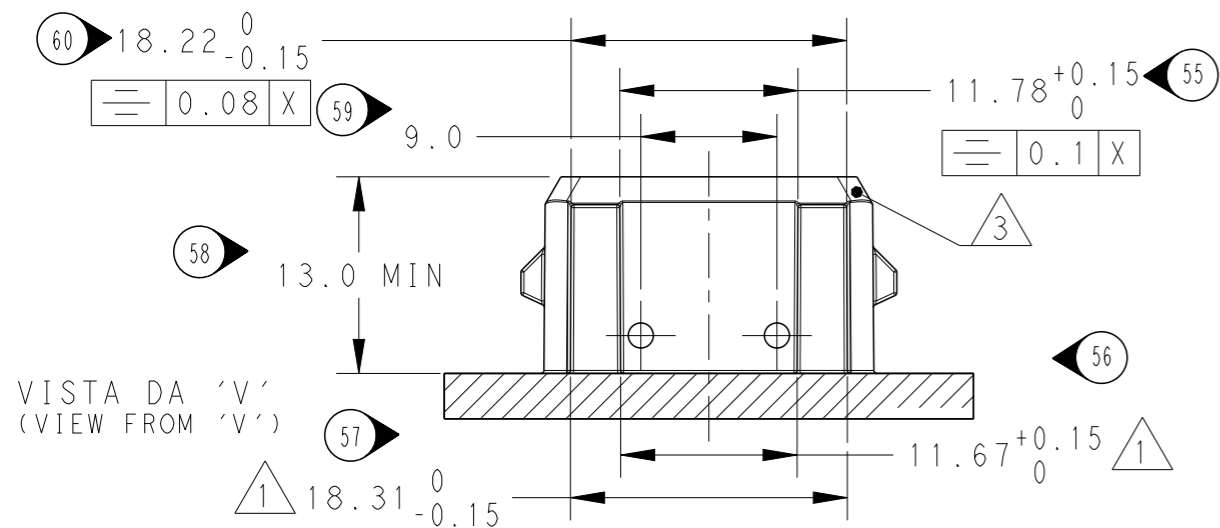
P	LTR	DESCRIPTION	DATE	DWN	APVD
-	-	SEE SHEET 1	-	-	-



DETT. LINGUETTA TAB-SCALA 5:1- (TAB DETAIL)




- 1 QUOTE APPLICABILI PER SFORMATURA PEZZO (DRAFT PERMITTED TO FACILITATE REMOVAL OF PART FROM THE MOULD)
- 2 MATERIALE LINGUETTE, LEGA DI RAME STAGNATA, ES. OTTONE STAGNATO. (TAB CONTACT MATERIAL, TIN PLATED COPPER ALLOY, E.G BRASS TIN PLATED)
- 3 MATERIALE BLOCCHETTO, TERMOPLASTICO CARICATO FIBRA VETRO. (HOUSING MATERIAL, THERMOPLASTIC, GLASS FIBER FILLED)



FORMA ALTERNATIVA PERMESSA CON RAGGIO (ALLOWED ALTERNATIVE PROFILE WITH RADIUS)

VISTA DA 'V' (VIEW FROM 'V')

THIS DRAWING IS A CONTROLLED DOCUMENT.		DWN	9 NOV 90		 TE Connectivity
		CHK	13 OCT 92		
		APVD	-		
		PRODUCT SPEC	-		
DIMENSIONS: mm		TOLERANCES UNLESS OTHERWISE SPECIFIED:		NAME	
		0 PLC ±-		3 W.SPLASH PROOF CONN.ASS'Y	
		1 PLC ±0.3		WITH SECONDARY LOCK	
		2 PLC ±-		SIZE	
		3 PLC ±-		A3	
		4 PLC ±-		CAGE CODE	
		ANGLES ±2°		-	
MATERIAL		FINISH		DRAWING NO	
-		-		C=282191	
				RESTRICTED TO	
				-	
		CUSTOMER DRAWING		SCALE	
				5:2	
				SHEET	
				2 OF 2	
				REV	
				P2	

# Mouser Electronics

Authorized Distributor

Click to View Pricing, Inventory, Delivery & Lifecycle Information:

[TE Connectivity:](#)

[282191-1](#)