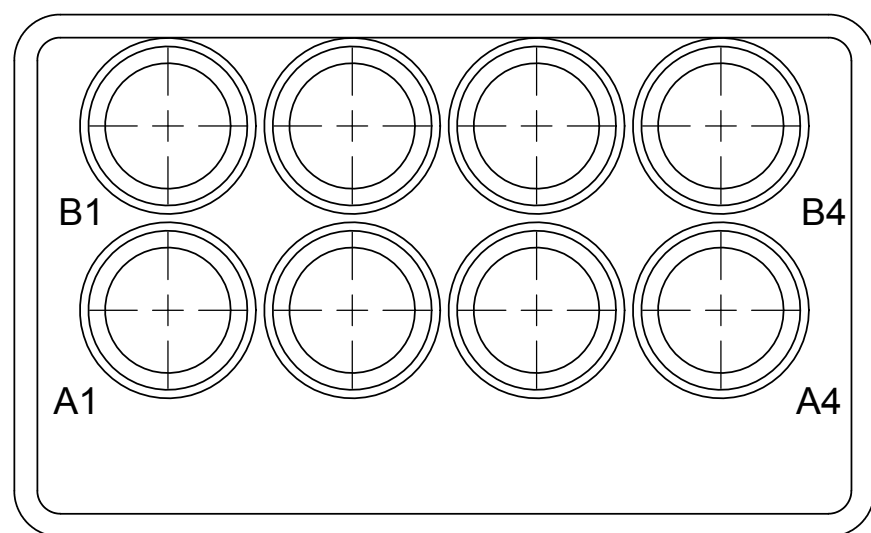
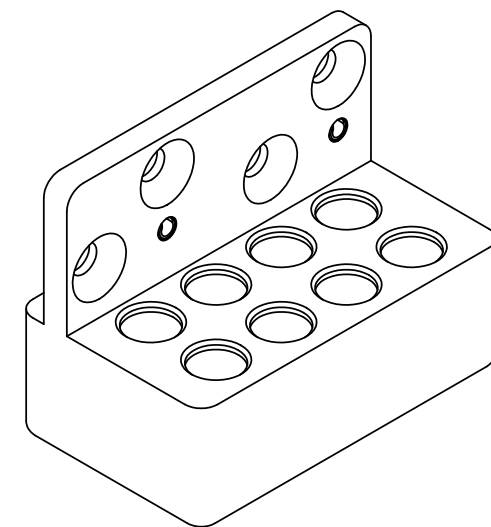
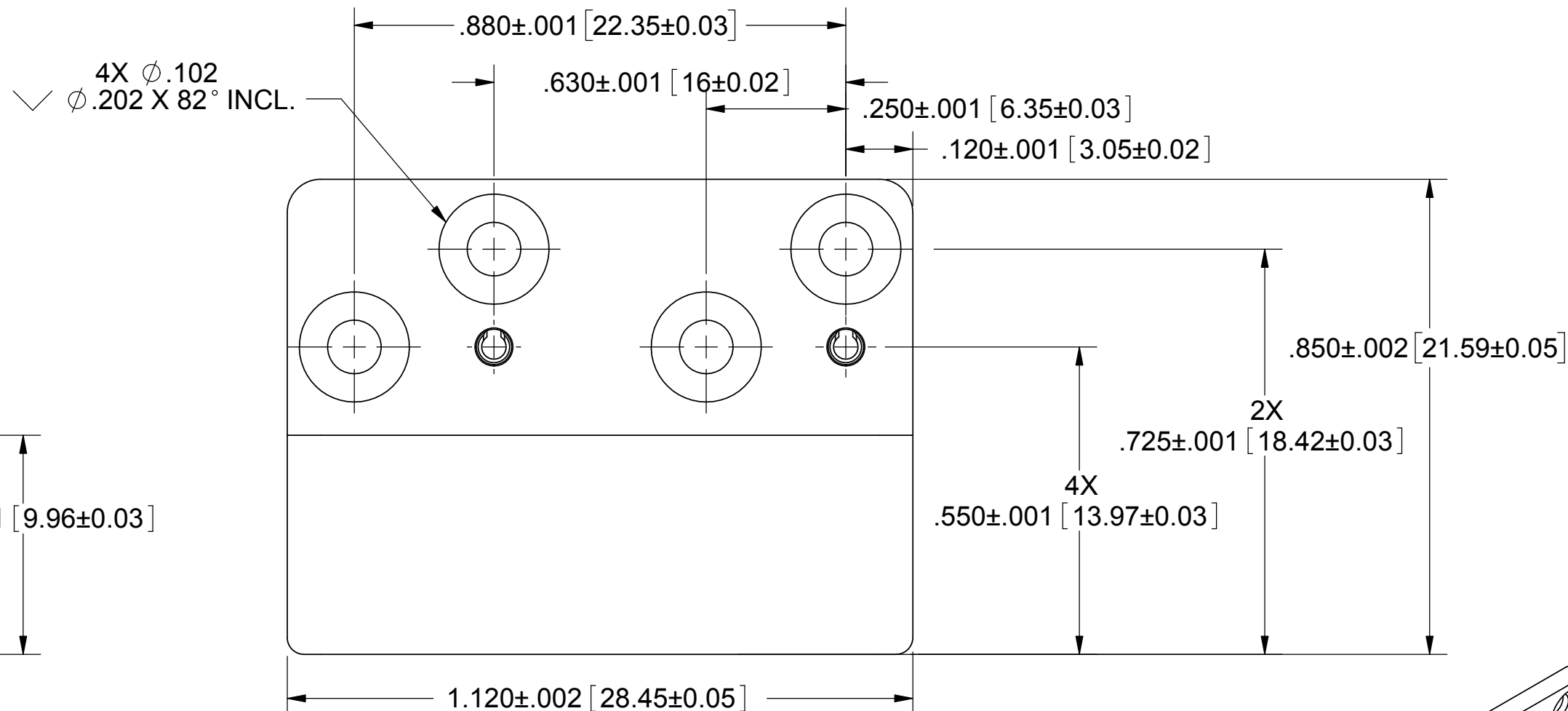
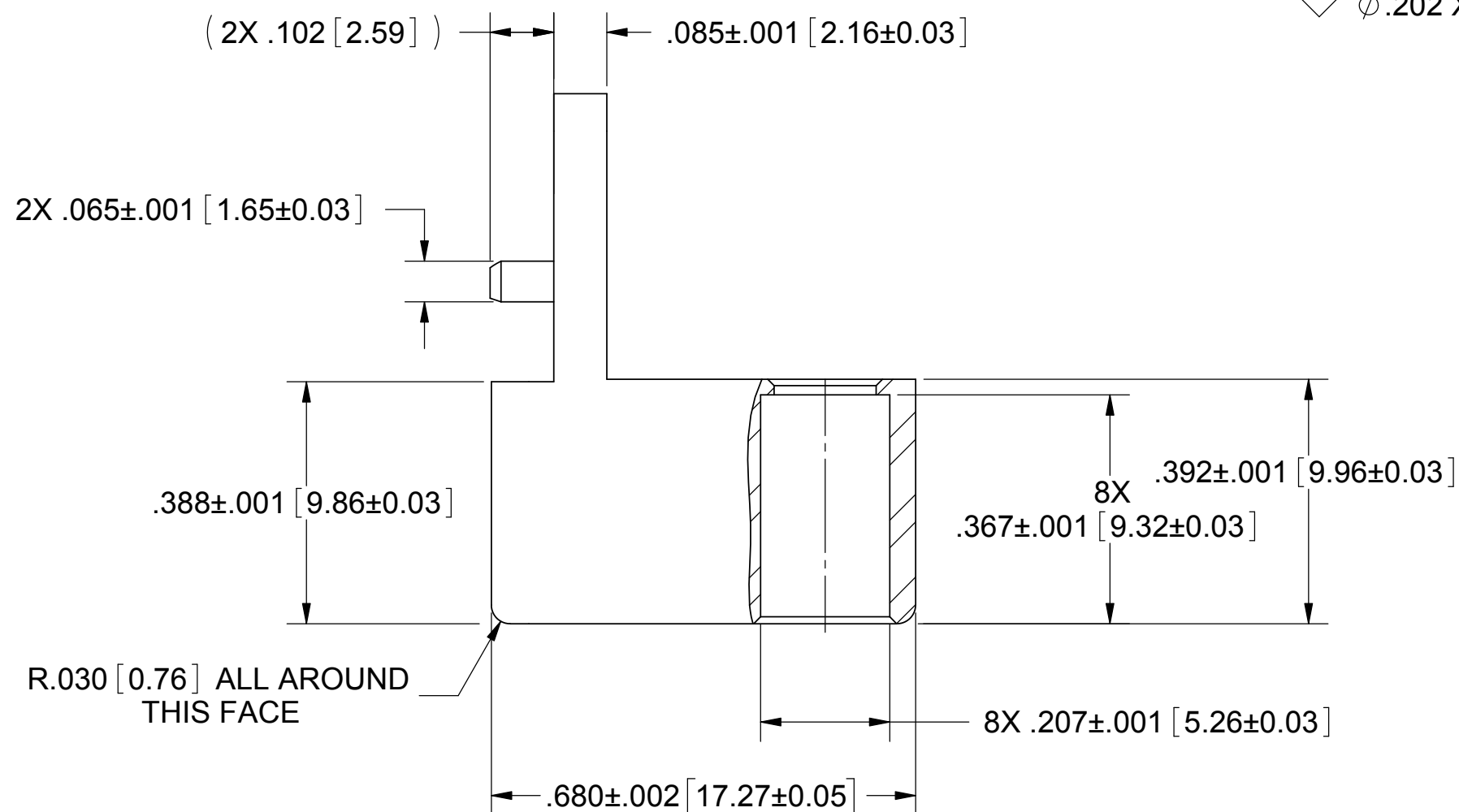
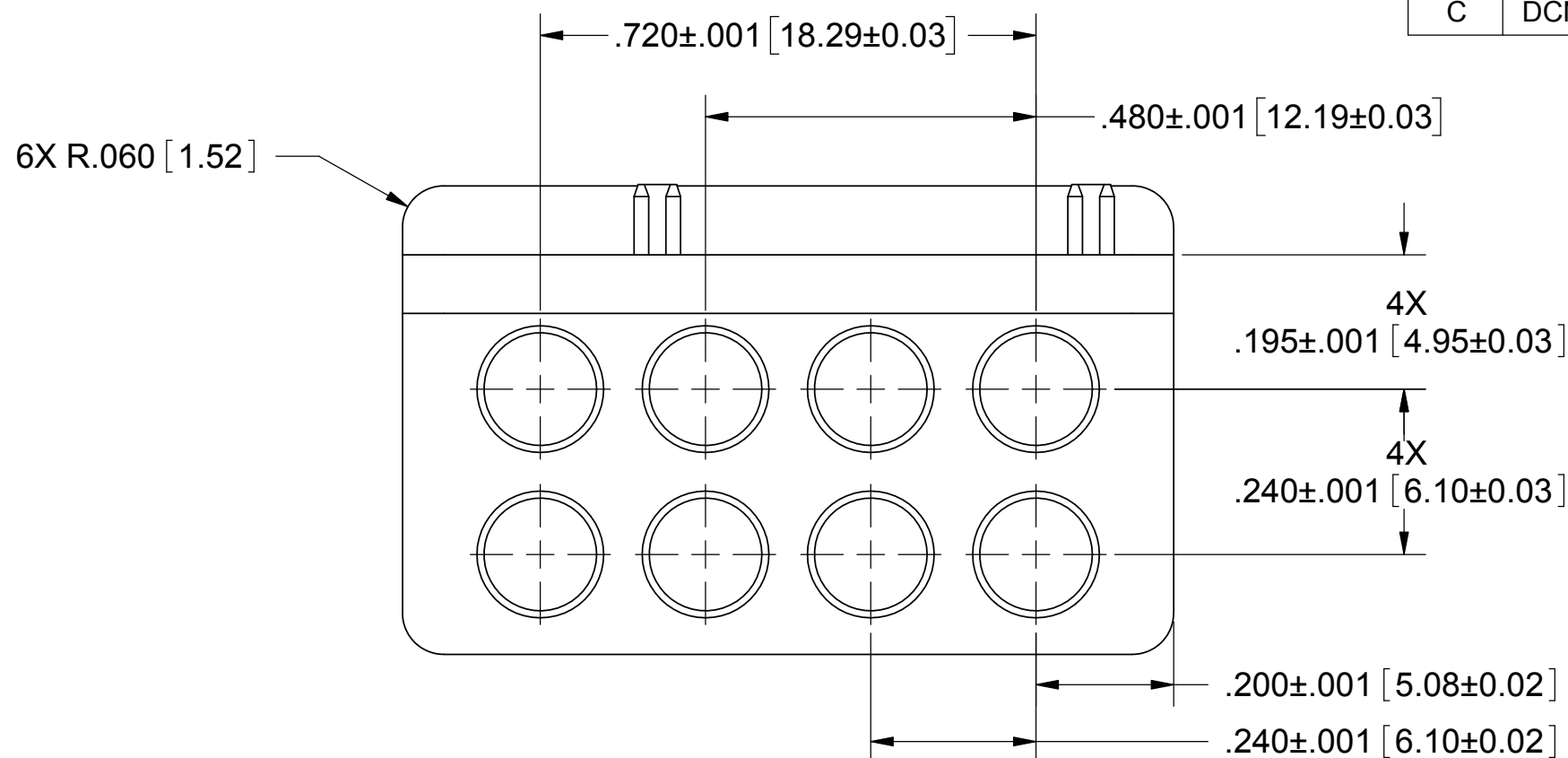


PRODUCT DATA DRAWING

REVISION HISTORY			
REV.	DESCRIPTION	DATE	APPROVED
B	REV. DCN 38885	2/29/12	STW
C	DCN 46743	08/17	DAL



CAVITY IDENTIFICATION



MATERIAL:
MODULE: STAINLESS STEEL PER AMS-5640, ALLOY UNS S30300, TYPE 1
SPRING PINS: STAINLESS STEEL PER ASTM A313, ALLOY UNS S30200, TYPE 302.
FINISH:
MODULE & SPRING PINS: PASSIVATED PER AMS-2700.

MATERIAL: SEE NOTES
FINISH: SEE NOTES
DO NOT SCALE DRAWING
PROPRIETARY
THE INFORMATION CONTAINED IN THIS DRAWING IS THE SOLE PROPERTY OF SV MICROWAVE, INC. ANY REPRODUCTION IN PART OR AS A WHOLE WITHOUT THE WRITTEN PERMISSION OF SV MICROWAVE, INC. IS PROHIBITED.

DIMENSIONS ARE IN INCHES
TOLERANCES:
 ANGULAR: ±1°
 ONE PLACE DECIMAL ±.030
 TWO PLACE DECIMAL ±.010
 THREE PLACE DECIMAL ±.005
 INTERPRET DIMENSIONS AND TOLERANCES PER ASME Y14.5M - 1994

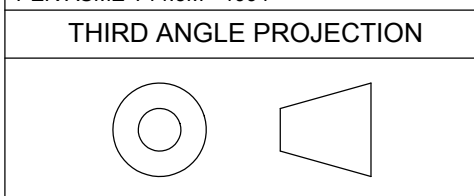
UNLESS OTHERWISE SPECIFIED:
 1. ALL DIMENSIONS ARE AFTER PLATING.
 2. BREAK CORNERS & EDGES R.005 MAX.
 3. CHAMFER 1ST AND LAST THREAD.
 4. SURFACE ROUGHNESS 63 PER MIL-STD-10.
 5. DIA'S ON COMMON CENTERS TO BE CONCENTRIC WITHIN .005 T.I.R.
 6. REMOVE ALL BURRS.

SV Microwave, Inc.®
 2400 Centrepark West Drive, Suite 100
 West Palm Beach, FL 33409

TITLE: MULTIPOINT MODULE 8 POS

SIZE	CAGE CODE	DWG. NO.
C	95077	SF9321-60013

SCALE: 4:1 SHEET 1 OF 1



THIRD ANGLE PROJECTION
DRAWN: JMC 12/13/10
CHECKED: STW 02/07/11
APPROVED: STW 02/07/11
E.M. SIMULATION: N/A

Mouser Electronics

Authorized Distributor

Click to View Pricing, Inventory, Delivery & Lifecycle Information:

[Amphenol:](#)

[SF9321-60013](#)