

THIS DRAWING IS UNPUBLISHED. RELEASED FOR PUBLICATION 20  
 © COPYRIGHT 20 BY - ALL RIGHTS RESERVED.

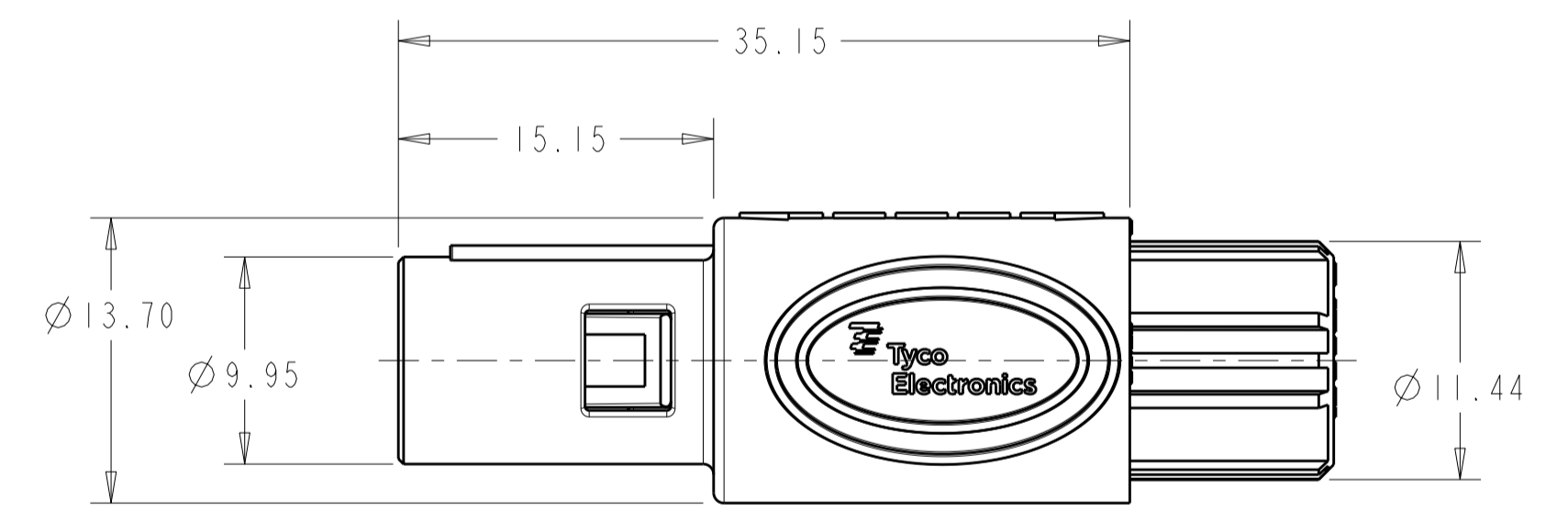
| LOC | DIST | REVISIONS   |                           |           |        |
|-----|------|-------------|---------------------------|-----------|--------|
| P   | LTR  | DESCRIPTION | DATE                      | DWN       | APVD   |
| AD  | 00   | B3          | REVISED PER ECO-11-005027 | 12MAR2011 | RK HMR |

1 MATERIAL:  
 CONTACT: BRASS  
 LATCH HOUSING, INSERT, COLLET, COLLET NUT:  
 UL 94V-0 RATED THERMOPLASTIC  
 COLOR:  
 COLLET AND INSERT: GRAY  
 LATCH HOUSING AND NUT: SEE TABLE

2 FINISH:  
 CONTACT, 0.75µm MIN. GOLD OVER NICKEL

3 SOLDER TERMINATION CONTACT, 22 AWG WIRE MAX.

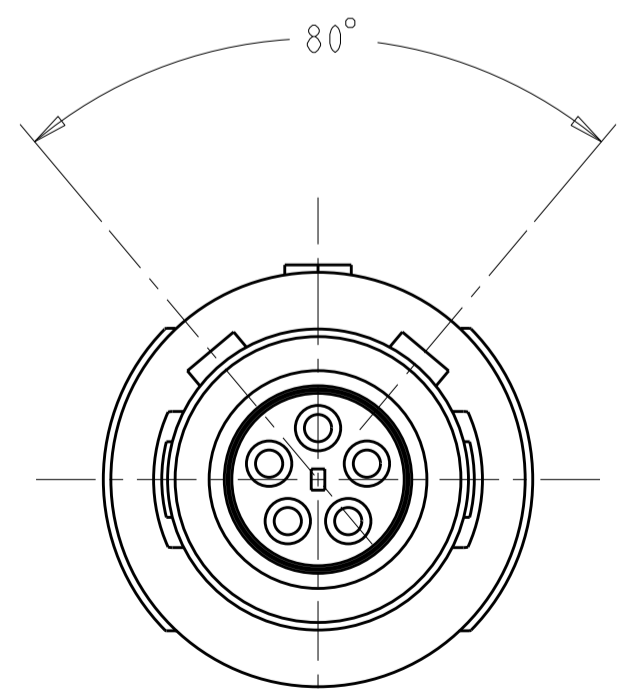
4. PRODUCT IS SUPPLIED UNASSEMBLED.



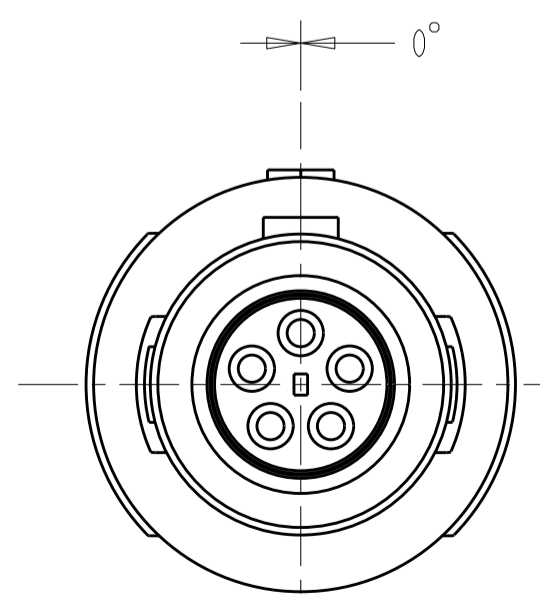
SCALE 3:1



INSERT SUB-ASSY  
 CIRCUIT DESIGNATION VIEW



80° KEYING  
 SCALE 4:1



0° KEYING  
 SCALE 4:1

SEE SHEET 2 FOR  
 PART NUMBER SELECTION  
 PART NUMBER

|   |  |                                 |  |                    |
|---|--|---------------------------------|--|--------------------|
| THIS DRAWING IS A CONTROLLED DOCUMENT.  |  | DWN<br>K. MILLER<br>09MAR2006   | TE Connectivity  |                    |
| DIMENSIONS:<br>mm   |  | CHK<br>L. BREKOSKY<br>09MAR2006 | NAME<br>5 POSITION, CABLE COLLET<br>STRAIGHT PLUG ASSEMBLY<br>0 AND 80 DEGREE KEYING |                    |
| TOLERANCES UNLESS OTHERWISE SPECIFIED:<br>0 PLC ±<br>1 PLC ±0.13<br>2 PLC ±0.08<br>3 PLC ±<br>4 PLC ±<br>ANGLES ±<br>FINISH ±1* |  | APVD<br>-                       | PRODUCT SPEC<br>108-2249   | RESTRICTED TO<br>- |
| MATERIAL<br>1   |  | APPLICATION SPEC<br>114-13184   | SIZE<br>A2   | CAGE CODE<br>00779 |
|   |  | WEIGHT<br>-                     | DRAWING NO<br>C-1877845  | SCALE<br>4:1       |
|   |  | CUSTOMER DRAWING                | SHEET<br>1   | OF<br>3            |
|   |  |                                 | REV<br>B3  |                    |

THIS DRAWING IS UNPUBLISHED. RELEASED FOR PUBLICATION 20  
 © COPYRIGHT 20 BY ALL RIGHTS RESERVED.

| LOC | DIST | REVISIONS |     |             |      |     |      |
|-----|------|-----------|-----|-------------|------|-----|------|
| AD  | 00   | P         | LTR | DESCRIPTION | DATE | DWN | APVD |
|     |      | -         |     | SEE SHEET 1 |      |     |      |

|             |                |                     |        |             |
|-------------|----------------|---------------------|--------|-------------|
| ∅ 2.7-∅ 3.9 | BLUE           | GRAY                | 80°    | 7-1877845-2 |
| ∅ 4.0-∅ 5.2 | BLUE           | GRAY                | 80°    | 7-1877845-1 |
| ∅ 5.3-∅ 6.5 | BLUE           | GRAY                | 80°    | 7-1877845-0 |
| ∅ 2.7-∅ 3.9 | BLUE           | GRAY                | 0°     | 6-1877845-9 |
| ∅ 4.0-∅ 5.2 | BLUE           | GRAY                | 0°     | 6-1877845-8 |
| ∅ 5.3-∅ 6.5 | BLUE           | GRAY                | 0°     | 6-1877845-7 |
| ∅ 2.7-∅ 3.9 | BLUE           | BLACK               | 80°    | 6-1877845-6 |
| ∅ 4.0-∅ 5.2 | BLUE           | BLACK               | 80°    | 6-1877845-5 |
| ∅ 5.3-∅ 6.5 | BLUE           | BLACK               | 80°    | 6-1877845-4 |
| ∅ 2.7-∅ 3.9 | BLUE           | BLACK               | 0°     | 6-1877845-3 |
| ∅ 4.0-∅ 5.2 | BLUE           | BLACK               | 0°     | 6-1877845-2 |
| ∅ 5.3-∅ 6.5 | BLUE           | BLACK               | 0°     | 6-1877845-1 |
| ∅ 2.7-∅ 3.9 | GREEN          | GRAY                | 80°    | 6-1877845-0 |
| ∅ 4.0-∅ 5.2 | GREEN          | GRAY                | 80°    | 5-1877845-9 |
| ∅ 5.3-∅ 6.5 | GREEN          | GRAY                | 80°    | 5-1877845-8 |
| ∅ 2.7-∅ 3.9 | GREEN          | GRAY                | 0°     | 5-1877845-7 |
| ∅ 4.0-∅ 5.2 | GREEN          | GRAY                | 0°     | 5-1877845-6 |
| ∅ 5.3-∅ 6.5 | GREEN          | GRAY                | 0°     | 5-1877845-5 |
| ∅ 2.7-∅ 3.9 | GREEN          | BLACK               | 80°    | 5-1877845-4 |
| ∅ 4.0-∅ 5.2 | GREEN          | BLACK               | 80°    | 5-1877845-3 |
| ∅ 5.3-∅ 6.5 | GREEN          | BLACK               | 80°    | 5-1877845-2 |
| ∅ 2.7-∅ 3.9 | GREEN          | BLACK               | 0°     | 5-1877845-1 |
| ∅ 4.0-∅ 5.2 | GREEN          | BLACK               | 0°     | 5-1877845-0 |
| ∅ 5.3-∅ 6.5 | GREEN          | BLACK               | 0°     | 4-1877845-9 |
| ∅ 2.7-∅ 3.9 | YELLOW         | GRAY                | 80°    | 4-1877845-8 |
| ∅ 4.0-∅ 5.2 | YELLOW         | GRAY                | 80°    | 4-1877845-7 |
| ∅ 5.3-∅ 6.5 | YELLOW         | GRAY                | 80°    | 4-1877845-6 |
| ∅ 2.7-∅ 3.9 | YELLOW         | GRAY                | 0°     | 4-1877845-5 |
| ∅ 4.0-∅ 5.2 | YELLOW         | GRAY                | 0°     | 4-1877845-4 |
| ∅ 5.3-∅ 6.5 | YELLOW         | GRAY                | 0°     | 4-1877845-3 |
| ∅ 2.7-∅ 3.9 | YELLOW         | BLACK               | 80°    | 4-1877845-2 |
| ∅ 4.0-∅ 5.2 | YELLOW         | BLACK               | 80°    | 4-1877845-1 |
| ∅ 5.3-∅ 6.5 | YELLOW         | BLACK               | 80°    | 4-1877845-0 |
| ∅ 2.7-∅ 3.9 | YELLOW         | BLACK               | 0°     | 3-1877845-9 |
| ∅ 4.0-∅ 5.2 | YELLOW         | BLACK               | 0°     | 3-1877845-8 |
| ∅ 5.3-∅ 6.5 | YELLOW         | BLACK               | 0°     | 3-1877845-7 |
| CABLE RANGE | BACK-NUT COLOR | LATCH HOUSING COLOR | KEYING | PART NO.    |

PART NUMBERS 37 THRU 72

|             |                |                     |        |             |
|-------------|----------------|---------------------|--------|-------------|
| ∅ 2.7-∅ 3.9 | WHITE          | GRAY                | 80°    | 3-1877845-6 |
| ∅ 4.0-∅ 5.2 | WHITE          | GRAY                | 80°    | 3-1877845-5 |
| ∅ 5.3-∅ 6.5 | WHITE          | GRAY                | 80°    | 3-1877845-4 |
| ∅ 2.7-∅ 3.9 | WHITE          | GRAY                | 0°     | 3-1877845-3 |
| ∅ 4.0-∅ 5.2 | WHITE          | GRAY                | 0°     | 3-1877845-2 |
| ∅ 5.3-∅ 6.5 | WHITE          | GRAY                | 0°     | 3-1877845-1 |
| ∅ 2.7-∅ 3.9 | WHITE          | BLACK               | 80°    | 3-1877845-0 |
| ∅ 4.0-∅ 5.2 | WHITE          | BLACK               | 80°    | 2-1877845-9 |
| ∅ 5.3-∅ 6.5 | WHITE          | BLACK               | 80°    | 2-1877845-8 |
| ∅ 2.7-∅ 3.9 | WHITE          | BLACK               | 0°     | 2-1877845-7 |
| ∅ 4.0-∅ 5.2 | WHITE          | BLACK               | 0°     | 2-1877845-6 |
| ∅ 5.3-∅ 6.5 | WHITE          | BLACK               | 0°     | 2-1877845-5 |
| ∅ 2.7-∅ 3.9 | RED            | GRAY                | 80°    | 2-1877845-4 |
| ∅ 4.0-∅ 5.2 | RED            | GRAY                | 80°    | 2-1877845-3 |
| ∅ 5.3-∅ 6.5 | RED            | GRAY                | 80°    | 2-1877845-2 |
| ∅ 2.7-∅ 3.9 | RED            | GRAY                | 0°     | 2-1877845-1 |
| ∅ 4.0-∅ 5.2 | RED            | GRAY                | 0°     | 2-1877845-0 |
| ∅ 5.3-∅ 6.5 | RED            | GRAY                | 0°     | 1-1877845-9 |
| ∅ 2.7-∅ 3.9 | RED            | BLACK               | 80°    | 1-1877845-8 |
| ∅ 4.0-∅ 5.2 | RED            | BLACK               | 80°    | 1-1877845-7 |
| ∅ 5.3-∅ 6.5 | RED            | BLACK               | 80°    | 1-1877845-6 |
| ∅ 2.7-∅ 3.9 | RED            | BLACK               | 0°     | 1-1877845-5 |
| ∅ 4.0-∅ 5.2 | RED            | BLACK               | 0°     | 1-1877845-4 |
| ∅ 5.3-∅ 6.5 | RED            | BLACK               | 0°     | 1-1877845-3 |
| ∅ 2.7-∅ 3.9 | GRAY           | GRAY                | 80°    | 1-1877845-2 |
| ∅ 4.0-∅ 5.2 | GRAY           | GRAY                | 80°    | 1-1877845-1 |
| ∅ 5.3-∅ 6.5 | GRAY           | GRAY                | 80°    | 1-1877845-0 |
| ∅ 2.7-∅ 3.9 | GRAY           | GRAY                | 0°     | 1877845-9   |
| ∅ 4.0-∅ 5.2 | GRAY           | GRAY                | 0°     | 1877845-8   |
| ∅ 5.3-∅ 6.5 | GRAY           | GRAY                | 0°     | 1877845-7   |
| ∅ 2.7-∅ 3.9 | BLACK          | BLACK               | 80°    | 1877845-6   |
| ∅ 4.0-∅ 5.2 | BLACK          | BLACK               | 80°    | 1877845-5   |
| ∅ 5.3-∅ 6.5 | BLACK          | BLACK               | 80°    | 1877845-4   |
| ∅ 2.7-∅ 3.9 | BLACK          | BLACK               | 0°     | 1877845-3   |
| ∅ 4.0-∅ 5.2 | BLACK          | BLACK               | 0°     | 1877845-2   |
| ∅ 5.3-∅ 6.5 | BLACK          | BLACK               | 0°     | 1877845-1   |
| CABLE RANGE | BACK-NUT COLOR | LATCH HOUSING COLOR | KEYING | PART NO.    |

PART NUMBERS 1 THRU 36

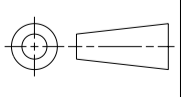
|  |  |   |   |  |  |
|--|--|---|---|--|--|
| THIS DRAWING IS A CONTROLLED DOCUMENT.   |  | DWN<br>K. MILLER<br>09MAR2006   |  TE Connectivity |  |  |
|  |  | CHK<br>L. BREKOSKY<br>09MAR2006   |   |  |  |
| DIMENSIONS:<br>mm<br> |  | TOLERANCES UNLESS OTHERWISE SPECIFIED:<br>0 PLC ±<br>1 PLC ±0.13<br>2 PLC ±0.08<br>3 PLC ±<br>4 PLC ±<br>ANGLES ±1°<br>FINISH |   | NAME<br>5 POSITION, CABLE COLLET<br>STRAIGHT PLUG ASSEMBLY<br>0 AND 80 DEGREE KEYING |  |
| MATERIAL   |  | PRODUCT SPEC<br>108-2249<br>APPLICATION SPEC<br>114-13184<br>WEIGHT<br>-  |   | SIZE<br>A2<br>CAGE CODE<br>00779<br>DRAWING NO<br>1877845<br>RESTRICTED TO<br>-      |  |
|  |  | CUSTOMER DRAWING  |   | SCALE 4:1<br>SHEET 2 OF 3<br>REV B3  |  |

THIS DRAWING IS UNPUBLISHED.      RELEASED FOR PUBLICATION      20

© COPYRIGHT 20      BY      ALL RIGHTS RESERVED.

| LOC | DIST | REVISIONS |     |             |      |     |      |
|-----|------|-----------|-----|-------------|------|-----|------|
|     |      | P         | LTR | DESCRIPTION | DATE | DWN | APVD |
| AD  | 00   | -         |     | SEE SHEET 1 | -    | -   | -    |
|     |      |           |     |             |      |     |      |
|     |      |           |     |             |      |     |      |

|                                |                |                     |        |             |
|--------------------------------|----------------|---------------------|--------|-------------|
| Ø 2.7-Ø 3.9                    | BLACK          | GRAY                | 80°    | 8-1877845-4 |
| Ø 4.0-Ø 5.2                    | BLACK          | GRAY                | 80°    | 8-1877845-3 |
| Ø 5.3-Ø 6.5                    | BLACK          | GRAY                | 80°    | 8-1877845-2 |
| Ø 2.7-Ø 3.9                    | BLACK          | GRAY                | 0°     | 8-1877845-1 |
| Ø 4.0-Ø 5.2                    | BLACK          | GRAY                | 0°     | 8-1877845-0 |
| Ø 5.3-Ø 6.5                    | BLACK          | GRAY                | 0°     | 7-1877845-9 |
| Ø 2.7-Ø 3.9                    | GRAY           | BLACK               | 80°    | 7-1877845-8 |
| Ø 4.0-Ø 5.2                    | GRAY           | BLACK               | 80°    | 7-1877845-7 |
| Ø 5.3-Ø 6.5                    | GRAY           | BLACK               | 80°    | 7-1877845-6 |
| Ø 2.7-Ø 3.9                    | GRAY           | BLACK               | 0°     | 7-1877845-5 |
| Ø 4.0-Ø 5.2                    | GRAY           | BLACK               | 0°     | 7-1877845-4 |
| Ø 5.3-Ø 6.5                    | GRAY           | BLACK               | 0°     | 7-1877845-3 |
| CABLE RANGE                    | BACK-NUT COLOR | LATCH HOUSING COLOR | KEYING | PART NO.    |
| <b>PART NUMBERS 73 THRU 84</b> |                |                     |        |             |

|   |  |                                 |  |                    |
|---|--|---------------------------------|--|--------------------|
| THIS DRAWING IS A CONTROLLED DOCUMENT.  |  | DWN<br>K. MILLER<br>09MAR2006   | <b>STE</b> TE Connectivity   |                    |
|   |  | CHK<br>L. BREKOSKY<br>09MAR2006 |  |                    |
| DIMENSIONS:<br>mm   | TOLERANCES UNLESS OTHERWISE SPECIFIED:   | APVD<br>-                       | NAME<br>5 POSITION, CABLE COLLET<br>STRAIGHT PLUG ASSEMBLY<br>0 AND 80 DEGREE KEYING |                    |
|  | 0 PLC ±-<br>1 PLC ±0.13<br>2 PLC ±0.08<br>3 PLC ±-<br>4 PLC ±-<br>ANGLES ±1°<br>FINISH | PRODUCT SPEC<br>108-2249        | SIZE<br>A2   | CAGE CODE<br>00779 |
| MATERIAL<br>-   |  | APPLICATION SPEC<br>114-13184   | DRAWING NO<br>1877845  | RESTRICTED TO<br>- |
|   |  | WEIGHT<br>-                     | SCALE 4:1      SHEET 3 OF 3      REV B3  |                    |
|   |  | CUSTOMER DRAWING                |  |                    |

# Mouser Electronics

Authorized Distributor

Click to View Pricing, Inventory, Delivery & Lifecycle Information:

[TE Connectivity:](#)

[4-1877845-5](#)