

A

B

C

D

A

B

C

D

PRODUCT NO. *92789-XXXX	STAND OFF DIM "M"(mm)	HDR SOLDER TAIL	HOLD DOWN	Q'TY	GUIDE ASSY 92791-XXXX	HDR ASSY 92140-XXXX	DIM "P" (mm)	HDR COLOR	SHEET NO.	MOUNT STYLE TO PCB
000	0	R/A	NONE		001	000	2.8	BLACK	NO.2	TOP MOUNT 92789-0XXX 
000H	0	R/A	93925-001	4	001H	000H	2.8	BLACK		
001	0	SMT STAGGERED	NONE		001	001	—#	BLACK		
001H	0	SMT STAGGERED	93925-001	4	001H	001H	—#	BLACK		
002	0	SMT IN LINE	NONE		001	002	—#	BLACK		
002H	0	SMT IN LINE	93925-001	4	001H	002H	—#	BLACK		
020	2 (NO LOCATOR)	R/A	NONE		021	040	2.5	BLACK	NO.3	
040	4	R/A	NONE		041	010	2.8	BLACK		
040H	4	R/A	93925-003	4	041H	010H	2.8	BLACK		
050	5	R/A	NONE		051	020	2.8	BLACK		
050H	5	R/A	93925-004	4	051H	020H	2.8	BLACK	NO.4	BOTTOM MOUNT 92789-5XXX 
500	0	R/A	NONE		001	500	2.8	NATURAL		
500H	0	R/A	93925-001	4	001H	500H	2.8	NATURAL		
501	0	SMT STAGGERED	NONE		001	501	—#	NATURAL		
501H	0	SMT STAGGERED	93925-001	4	001H	501H	—#	NATURAL		
502	0	SMT IN LINE	NONE		001	502	—#	NATURAL		
502H	0	SMT IN LINE	93925-001	4	001H	502H	—#	NATURAL	NO.5	
520	2 (NO LOCATOR)	R/A	NONE		021	540	2.5	NATURAL		
540	4	R/A	NONE		041	510	2.8	NATURAL		
550	5	R/A	NONE		051	520	2.8	NATURAL		
550H	5	R/A	93925-004	4	051	520H	2.8	NATURAL		

NOTE
 ① OPTIONAL HOLD DOWN (-XXXH) CAN BE SELECTED FOR ONLY 0mm STAND OFF (-XXXH) VARIATION.
 ② SMT STAGGERED & IN LINE (-XX1X & -XX2X) ARE ASSIGNED TO ONLY 0mm STAND OFF (-X0XX) VARIATION.

3. ASSY PROCESS
 3.1 TO MOUNT PART ④, ON PWB WITH SCREW (S1,S2) AND SOLDER.
 3.2 TO JOINT PART ④, INTO PART ④, THEN FIX PART ④ WITH 2 SCREWS (S3,S4).
 ④ MATERIAL

4.1 PART ④, (HEADER ASSY)
 HOUSING : HIGH TEMPERATURE THERMOPLASTIC UL94V-0
 PIN : COPPER ALLOY
 HOLD DOWN : COPPER ALLOY

4.2 PART ④, (GUIDE ASSY)
 GUIDE : HIGH TEMPERATURE THERMOPLASTIC UL94V-0
 PLATE : STAINLESS
 EMI CONTACT : COPPER ALLOY
 HOLD DOWN : COPPER ALLOY

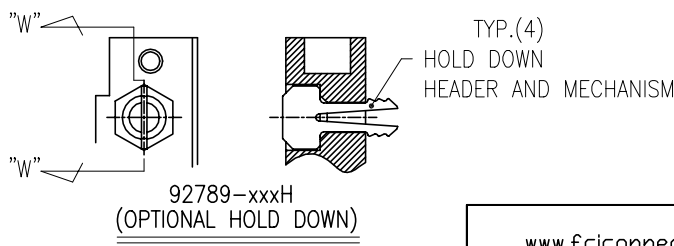
⑤ FINISH
 HDR PIN : *0.5μm MIN. Ni OVER ALL UNDER PLATING
 *0.076μm MIN. Au MIN. AT CONTACT AREA
 *2.5μm MIN. Sn-Pb SOLDER TAIL
 OR 2.5μm MIN. Sn (FOR -XXXXLF) SOLDER TAIL
 EMI CONTACT : PRE-PLATING
 *0.5μm MIN. Ni OVER ALL UNDER PLATING
 *0.5μm MIN. Au CONTACT AREA.
 HOLD DOWN : 2.5μm MIN. Sn OVER ALL.

6. DIM"L"

4.25±0.1	3.5±0.1	5.0±0.1
OTHERS	36.67	117.34 36.31.68

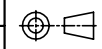
7. GENERAL TOLERANCE : ±0.3
 8. SEE SHEET 1,2. REGARDING COMPONENTS.
 9. THIS PRODUCT MEETS EUROPEAN UNION DIRECTIVES AND OTHER COUNTRY REGULATIONS AS DESCRIBED IN GS-22-008.
 10. PRODUCT SPEC: 110-263

* 92789-X X X X X X
 NOTE ①
 OPTIONAL LEAD FREE
 NONE : N □
 LF : YES
 NOTE ②
 OPTIONAL HOLD DOWN
 NONE : N □
 H : YES(SEE FIGURE OF -XXXH)
 NOTE ③
 HDR SOLDER TAIL
 0 : R/A
 1 : SMT STAGGERED
 2 : SMT IN LINE
 STAND OFF HEIGHT (DIM"M")
 0 : 0mm(NONE)
 2 : 2mm
 4 : 4mm
 5 : 5mm
 MOUNT STYLE TO PCB
 0 : TOP MOUNT
 5 : BOTTOM MOUNT



92789-xxxH
(OPTIONAL HOLD DOWN)

rev	ecn no	dr	date
J	J05-0215	MH	4/11/05
K	N05-0128	WB J	05/19/05
L	N07-0114	CM	05/14/07
M	N09-0381	SH	11/30/09
N	ELX-N-011350	ZK	04/06/12

www.fciconnect.com		surface	tolerance std	projection	MM
		TOLERANCES UNLESS OTHERWISE SPECIFIED			←→
Dr	M.Hasegawa 4/11/05	ANGULAR	0.X ± 0.3	size	Scale
Eng	M.Hasegawa 4/11/05	LINEAR	0.XX ± 0.15	ECN	
Chr		0' ± 2'	0.XXX ± 0.08	Spec ref	
Appr		Product family Header PCMCIA SANF			
FCI		title 68P LONG HEADER TYPE I / II / III (WITH EMI CLIP)		dwg no 92789	Rev. N
		catalog no CUSTOMER DRAWING		sheet 1 of 7	



Copyright FCI.

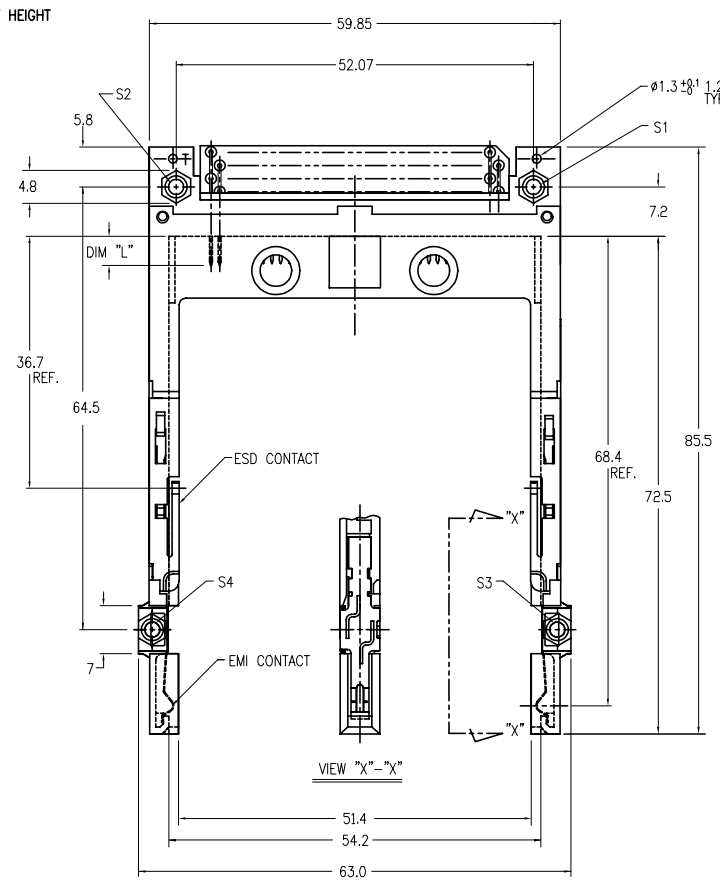
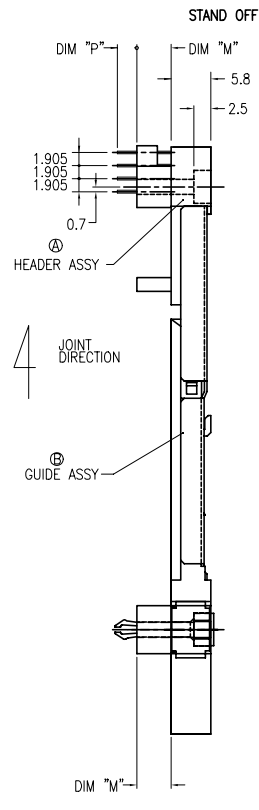
1

2

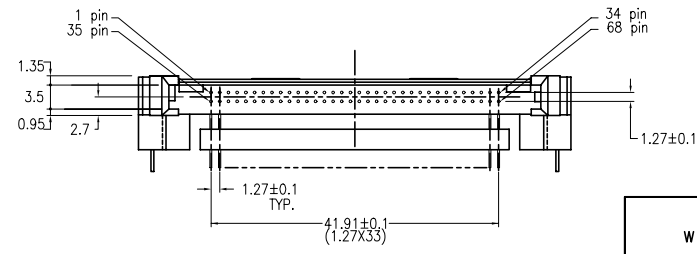
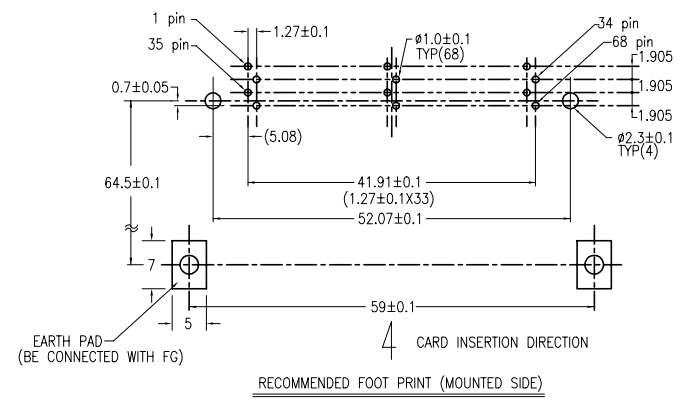
3

4

PRODUCT NO.
92789-020/020LF
92789-040/040LF
92789-040H/040HLF
92789-050/050LF
92789-050H/050HLF



VIEW "X"- "X"



Copyright FCI.

rev	ecn no	dr	date
N			

www.fciconnect.com		surface	tolerance std	projection	MM
		TOLERANCES UNLESS OTHERWISE SPECIFIED			Scale
Dr	M.Hasegawa/11/05	ANGULAR	0.X ±	size	
Eng	M.Hasegawa/11/05	LINEAR	0.XX ±	ECN	
Chr		0* ±	0.XXX ±	Spec ref	
Appr		Product family Header PCMCIA SANF			
		title	68P LONG HEADER TYPE I / II / III (WITH EMI CLIP)		Rev. N
		catalog no	CUSTOMER DRAWING		sheet 4 of 7
		dwg no	92789		

3

PDS: Rev :N

STATUS:Released

Printed: Sep 12, 2013

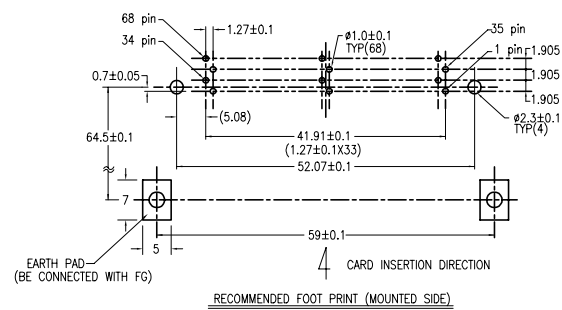
1

2

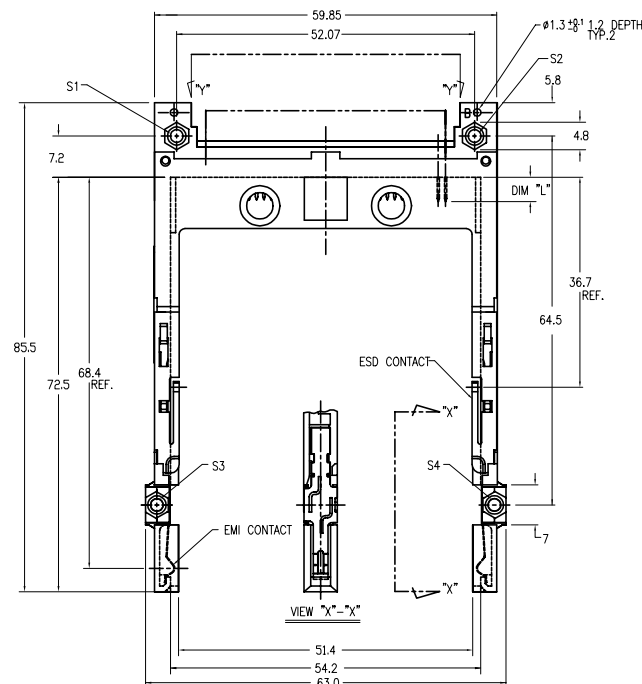
3

4

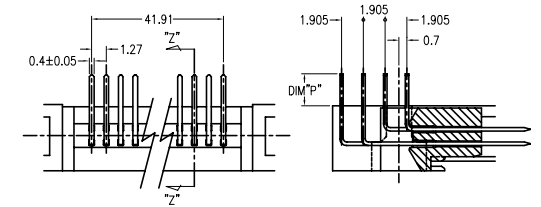
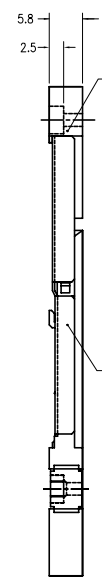
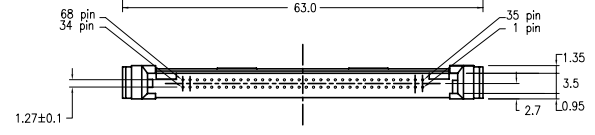
PRODUCT NO.
92789-500/500LF
92789-500H/500HLF
92789-501
92789-501H
92789-502
92789-502H



RECOMMENDED FOOT PRINT (MOUNTED SIDE)



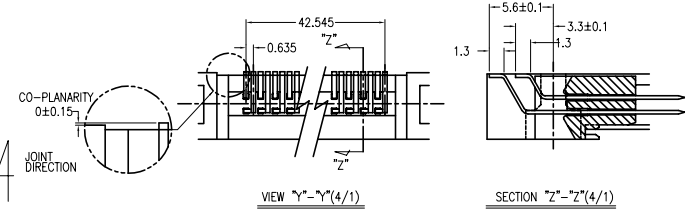
VIEW "X"- "X"



VIEW "Y"- "Y"(4/1)

SECTION "Z"- "Z"(4/1)

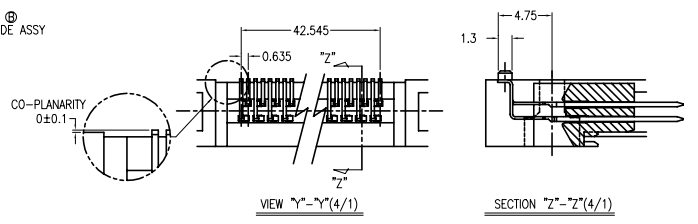
R/A (92789-500X)



VIEW "Y"- "Y"(4/1)

SECTION "Z"- "Z"(4/1)

SMT STAGGERED (92789-501X)



VIEW "Y"- "Y"(4/1)

SECTION "Z"- "Z"(4/1)

SMT IN LINE (92789-502X)



Copyright FCI

www.fciconnect.com		surface <input checked="" type="checkbox"/>	tolerance std	projection	MM
		TOLERANCES UNLESS OTHERWISE SPECIFIED			
Dr	M.Hasegawa/11/05	ANGULAR	0.X ±	size	Scale
Eng	M.Hasegawa/11/05	LINEAR	0.XX ±	ECN	
Chr		0 ±	0.XXX ±	Spec ref	
Appr		Product family Header PCMCIA SANF			
		title 68P LONG HEADER TYPE I / II / III (WITH EMI CLIP)		dwg no 92789	Rev. N
		catalog no CUSTOMER DRAWING		sheet 5 of 7	

rev	ecn no	dr	date
N			

3

PDS: Rev :N

STATUS:Released

Printed: Sep 12, 2013

Mouser Electronics

Authorized Distributor

Click to View Pricing, Inventory, Delivery & Lifecycle Information:

[FCI / Amphenol:](#)

[92789-040HLF](#) [92789-050HLF](#) [92789-000HLF](#) [92789-500HLF](#) [92789-502HLF](#) [92789-001HLF](#) [92789-002HLF](#)
[92789-550HLF](#) [92789-000LF](#) [92789-050LF](#) [92789-002](#) [92789-055LF](#) [92789-540HLF](#) [92789-002LF](#) [92789-040LF](#)
[92789-550LF](#) [92789-502LF](#) [10114832-050LF](#) [92789-000](#) [92789-050](#) [92789-050H](#)