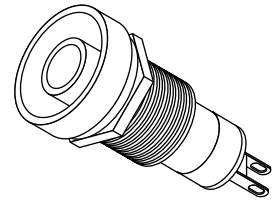
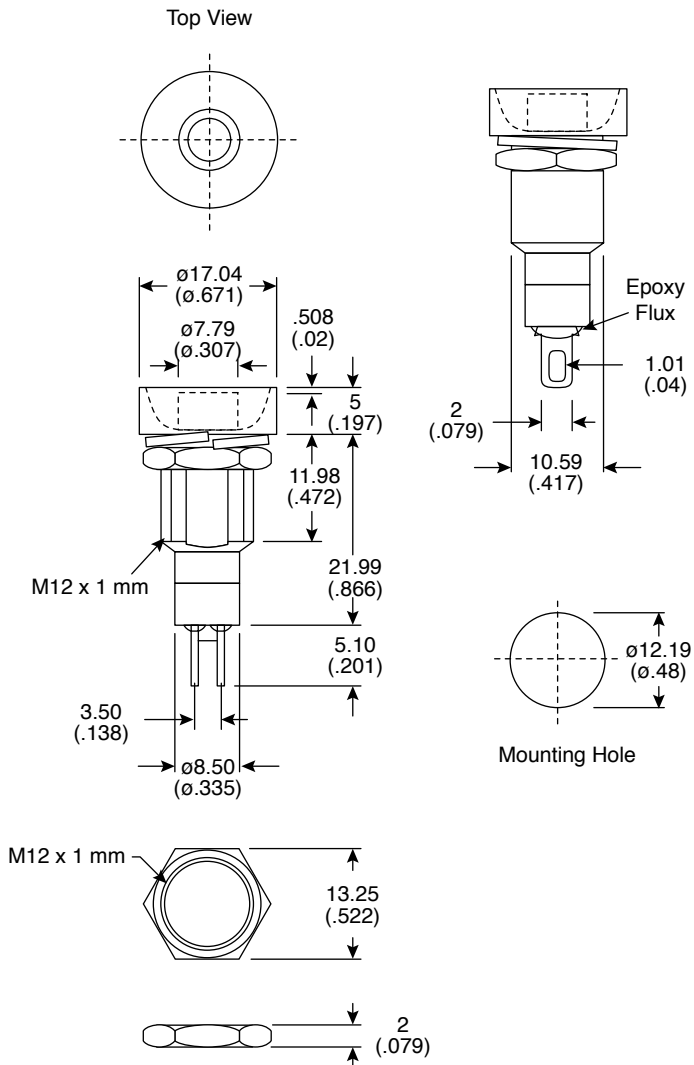
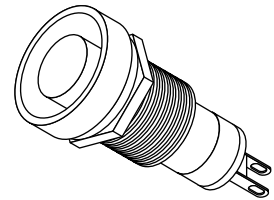


Dimensions: mm (In.)



Mouser Stock No.	Button Color	Frame Color	Circuit
107-1258-S	Silver	Black	Off-On
107-1258-R	Red	Black	Off-On
107-1258BU	Blue	Black	Off-On
107-1259-B	Black	Black	Off-(On)
107-1259-R	Red	Black	Off-(On)
107-1259-S	Silver	Black	Off-(On)



Mouser Stock No.	Button Color	Frame Color	Circuit
107-1261B	Black	Black	Off-On
107-1261R	Red	Black	Off-On
107-1262-R	Red	Black	Off-(On)
107-1262-B	Black	Black	Off-(On)

**Electrical Specifications:**

- Rating: 3A/125VAC
- Insulation resistance: 100M $\Omega$  500VDC
- Contact resistance: 20m $\Omega$  @ 2.5VDC 1A
- Dielectric Strength: 1000V for 1 minute

**Mechanical Specifications:**

- Type: SPST

**Guarded Pushbutton Switches**

107-1258 Series 107-1261 Series  
 107-1259 Series 107-1262 Series



# Mouser Electronics

Authorized Distributor

Click to View Pricing, Inventory, Delivery & Lifecycle Information:

## Mountain Switch:

[107-1259-B](#) [107-1259-R](#) [107-1259-S](#) [107-1261R](#) [107-1261B](#) [107-1258-S](#) [107-1258BU](#) [107-1258R](#) [107-1262-B](#)  
[107-1262-R](#)