

DRAWINGS MADE IN AMERICAN PROJECTION

LOC  
AD

PRINT DIST  
B 34

© 1964 BY AMP INCORPORATED. ALL RIGHTS RESERVED. AMP PRODUCTS COVERED BY PATENTS AND/OR PATENTS PENDING.

REVISIONS

LTR	DESCRIPTION	DATE	APPROVED
A	REVISED MATL. 2280	10-20-69	m.S. RHF
A1	ADDED -3 1010	7-18-75	am
B	REV PER 0310-0025-96	16 DEC 96	CS

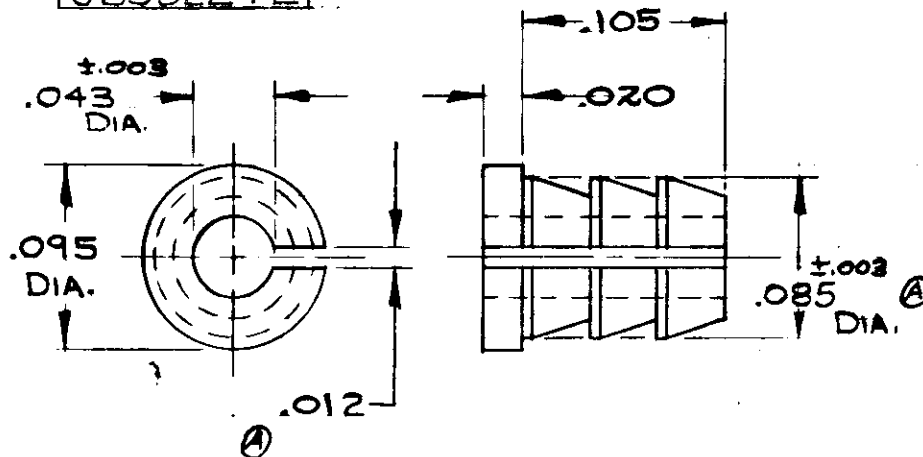
86280-1: 1. AS SHOWN.

86280-2: 1 SAME AS -1 EXCEPT:

.000030 GOLD OVER NICKEL

86280-3: 1 SAME AS -1 EXCEPT: FINISH IS .000300 MIN BRIGHT TIN OVER .000050 NICKEL

**OBSOLETE**



UNLESS OTHERWISE SPECIFIED DIMENSIONS ARE IN INCHES TOLERANCES ON: DECIMALS ±.005 ANGLES ±

CONTRACT NO.  
DR. *E.H. Frantz 8-6-69*  
CHK *J. Steide 8-6-69*  
APPD *W. Felt 8-6-69*  
REV *W. Felt 8-6-69*



AMP INCORPORATED  
HARRISBURG, PENNSYLVANIA

MATERIAL  
**BRASS**

NAME  
**BUSHING, GROUND**

Ⓐ

DSGN APPD  
OTHER APPD

SIZE **A** CODE IDENT NO. **00779** NUMBER **86280**

SCALE SHEET

# Mouser Electronics

Authorized Distributor

Click to View Pricing, Inventory, Delivery & Lifecycle Information:

[TE Connectivity:](#)

[86280-2](#)