

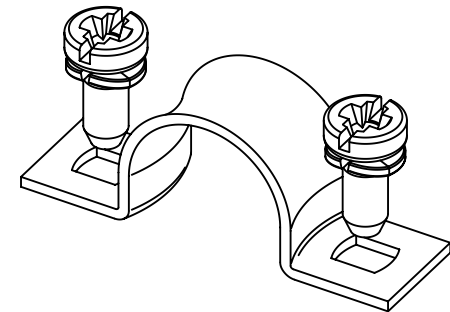
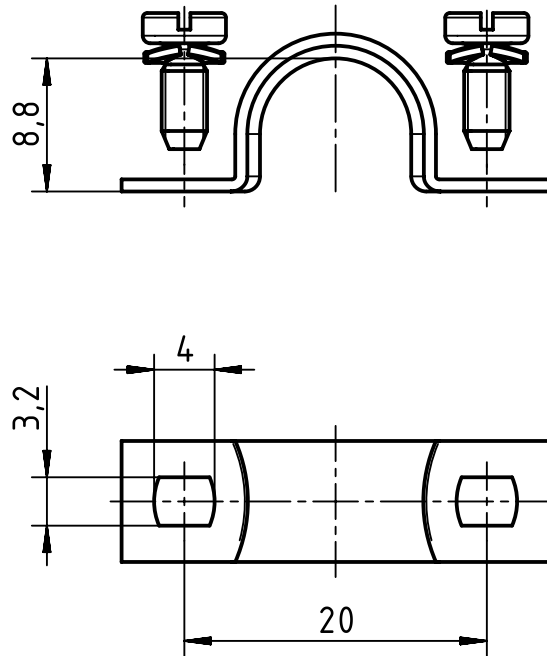
1 2 3 4 5 6

A


B

C

D



range of delivery: clamp, 2x M3 screws with washer

| | | | | | | | | | | |
|---|---|---|---------------------------|---------------------------|----------------------------|--------------------|------------------------|--------------------------|--|-------------|
|  | All rights reserved Department EL PD | All Dimensions in mm Original Size DIN A4 | | Scale 2:1 | Free size tol. | | Ref. Sub. | | | |
| | | HARTING Electric GmbH & Co. KG D-32339 Espelkamp | Created by RULLKOETTER | Inspected by SCHNIEDER | Standardisation RUETERA | Date 2014-11-24 | State Final Release | | Doc-Key / ECM-Nr. 100102222/UGD/005/B 500000082322 | |
| Title Clamp f. Shield Frames (Cable 10mm) | | | | | | | Type TB | Number 09 00 000 5342 | Rev. B | Page 1/1 |

Mouser Electronics

Authorized Distributor

Click to View Pricing, Inventory, Delivery & Lifecycle Information:

[HARTING:](#)

[09000005342](#)