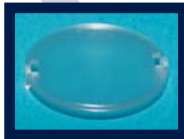


## CREE® ADHESIVE-BACKED LENS



### FEATURES / BENEFITS

- ▲ For CREE XR & XR-E series LEDs
- ▲ Available in spot, diffuser, wide, and oval lenses
- ▲ Integral self-adhesive pad
- ▲ Snap-on sub-lens
- ▲ Greater than 85% efficiency

### OPERATING CONDITIONS

- ▲ 85° C max acrylic temperature
- ▲ 105° C max adhesive temperature

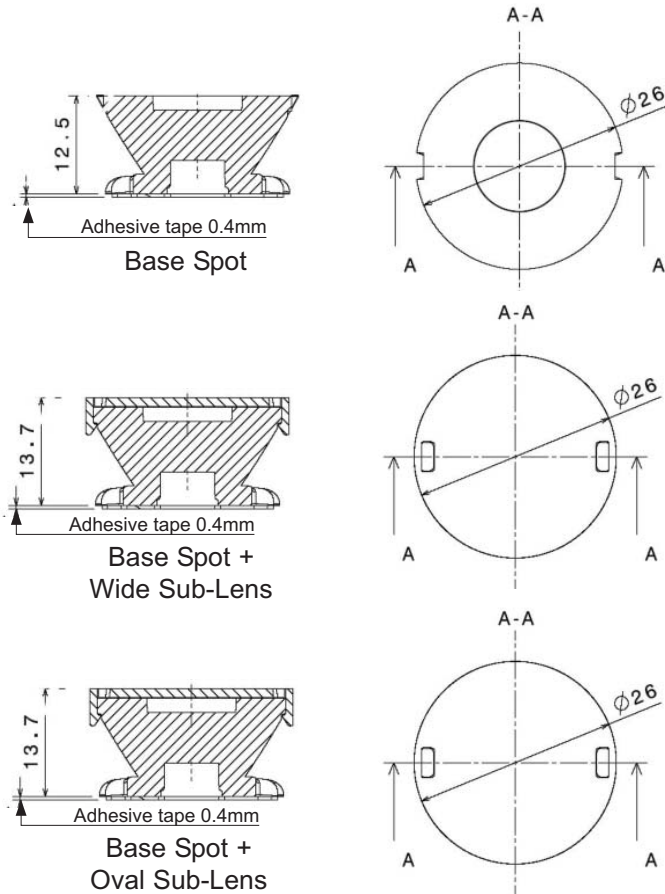
### MATERIALS/FINISH

- ▲ Optical grade PMMA acrylic

### ORDERING INFORMATION

BASE LENSES			
Dialight P/N	Reference P/N	Description	Degree*
OPTX1006	OPTX-1-006	OPTX Series Spot Base Module For CREE	6°
SUB-LENSES			
OPAA1DF	OPAA-1-DF	Diffuser Sub-Lens	8°
OPAA1WSL	OPAA-1-WSL	Wide Sub-Lens	18°
OPAA1OSL	OPAA-1-OSL	Oval Sub-Lens	8° X 25°
*All angles refer to half divergence			

### MECHANICAL DIMENSIONS



Dialight reserves the right to make changes at any time in order to supply the best product possible.  
The most current version of this document will always be available at:  
[www.dialight.com/Assets/Brochures\\_And\\_Catalogs/Illumination/MDEXLUMADBCREE.pdf](http://www.dialight.com/Assets/Brochures_And_Catalogs/Illumination/MDEXLUMADBCREE.pdf)

# Mouser Electronics

Authorized Distributor

Click to View Pricing, Inventory, Delivery & Lifecycle Information:

[Dialight:](#)

[OPTX-1-006](#)