

**CHEMINAX**

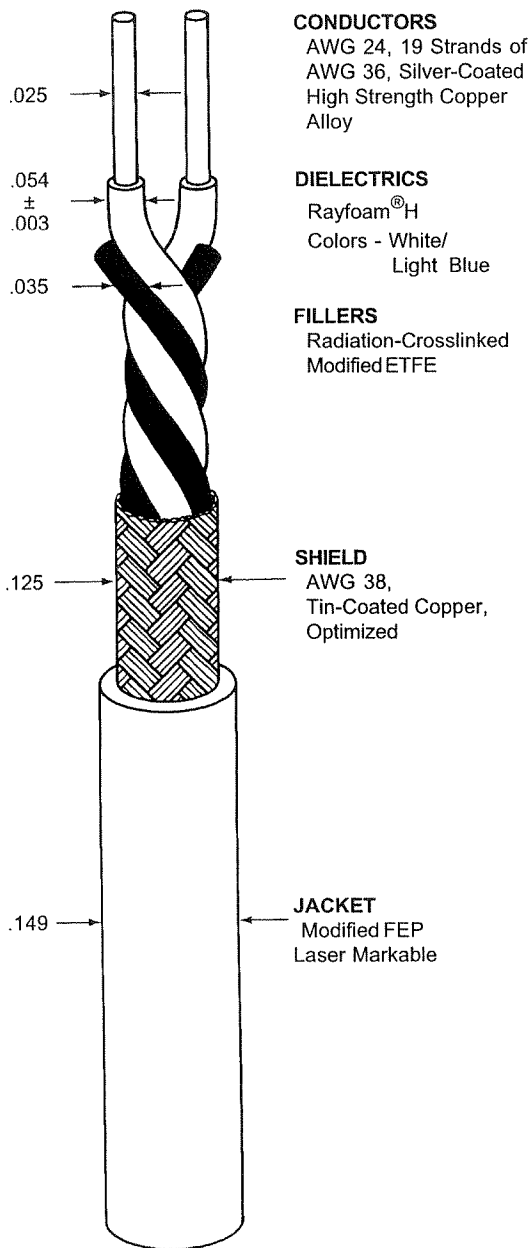
100 OHM, AWG 24, 19 STRANDS OF AWG 36, RADIO FREQUENCY,  
TWO CONDUCTOR CABLE

Date: 11-22-02  
Revision:

THIS SPECIFICATION SHEET FORMS A PART OF THE LATEST ISSUE OF RAYCHEM SPECIFICATION 1200.

**CONSTRUCTION DETAILS**

DIMENSIONS ARE NOMINAL VALUES IN INCHES UNLESS OTHERWISE DESIGNATED.



**CONDUCTORS**  
AWG 24, 19 Strands of  
AWG 36, Silver-Coated  
High Strength Copper  
Alloy

**DIELECTRICS**  
Rayfoam® H  
Colors - White/  
Light Blue

**FILLERS**  
Radiation-Crosslinked  
Modified ETFE

**SHIELD**  
AWG 38,  
Tin-Coated Copper,  
Optimized

**JACKET**  
Modified FEP  
Laser Markable

**ELECTRICAL CHARACTERISTICS**

CHARACTERISTIC IMPEDANCE	100 ± 7 ohms, Method C at 1 MHz
CAPACITANCE - MUTUAL	13.5 pF/ft. (nominal)
VELOCITY OF PROPAGATION	76% (nominal)
CAPACITANCE UNBALANCE	3% (nominal)
SURFACE TRANSFER IMPEDANCE	100 millohms/meter (maximum) (Per MIL-C-85485 at 30 MHz)

**ADDITIONAL REQUIREMENTS**

**ELECTRICAL**

CONDUCTOR RESISTANCE	26.5 ohms/1000 ft. (nominal)
INSULATION RESISTANCE	10,000 megohms (minimum) for 1000 ft.
JACKET FLAWS	
SPARK TEST	1.0 kV (rms)
IMPULSE TEST	6.0 kV (peak)
VOLTAGE WITHSTAND (DIELECTRIC)	1000 volts (rms) (minimum)

**ENVIRONMENTAL**

FLAMMABILITY	Method B
HEAT SHOCK	225°C
LOW TEMPERATURE- COLD BEND	-55°C/3.75 inch mandrel
VOLTAGE WITHSTAND (POST ENVIRONMENTAL)	1000 volts (rms) for 1 minute

**PHYSICAL**

INSULATION (DIELECTRIC) (Prior to Cabling)	
ELONGATION	50% (minimum)
TENSILE STRENGTH	600 lbf/in <sup>2</sup> (minimum)
JACKET	
ELONGATION	200% (minimum)
TENSILE STRENGTH	2000 lbf/in <sup>2</sup> (minimum)
JACKET THICKNESS	.012 inch (nominal)

WEIGHT 18.1 lbs/1000 ft. (nominal)

Outer jacket color will be natural and laser markable (designated by a "N(LM)" appended to the part number, e.g. 0024T0024-N(LM))

# Mouser Electronics

Authorized Distributor

Click to View Pricing, Inventory, Delivery & Lifecycle Information:

[TE Connectivity:](#)

[0024T0024-N\(LM\)](#)