

4

3

2

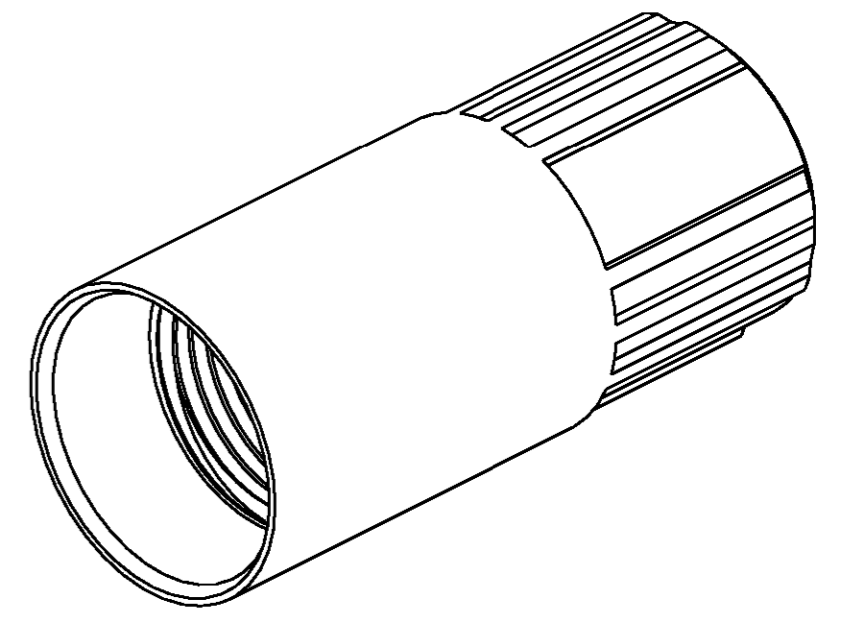
1

THIS DRAWING IS UNPUBLISHED. RELEASED FOR PUBLICATION 20

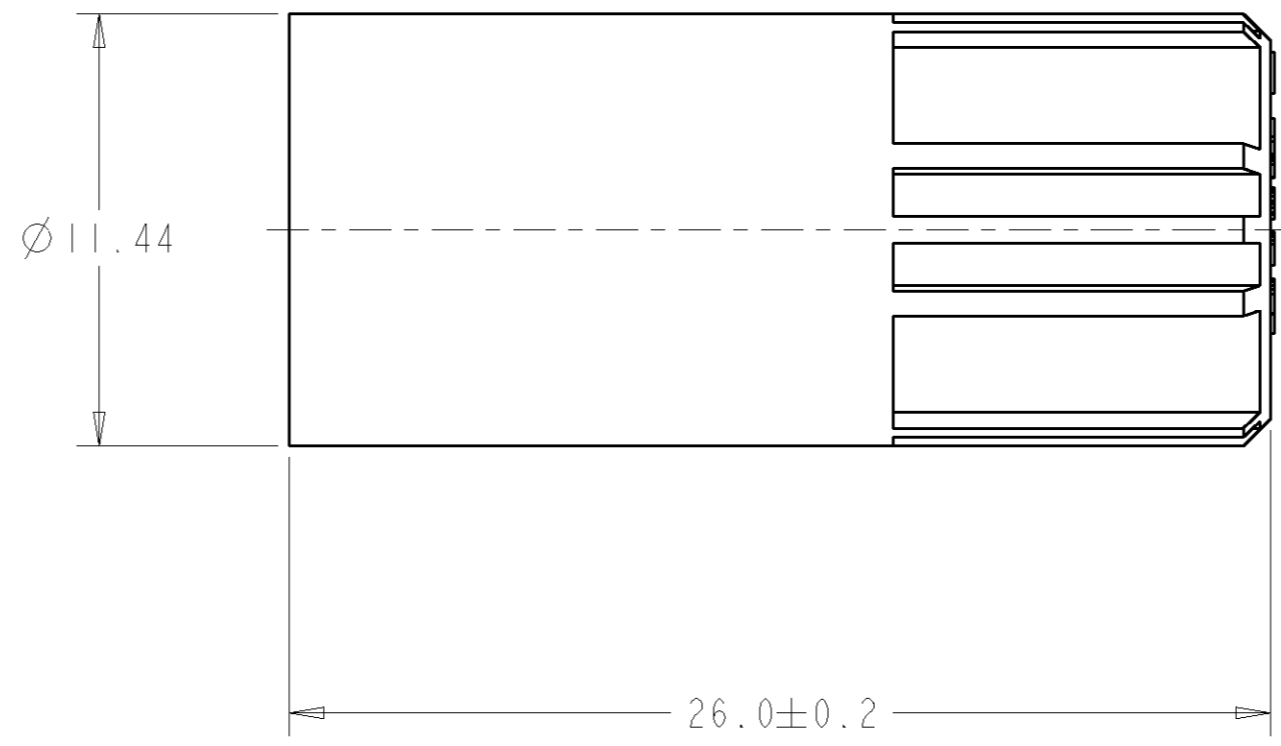
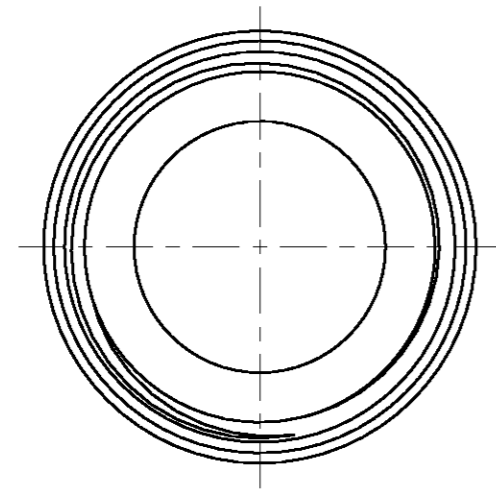
© COPYRIGHT 20 BY TYCO ELECTRONICS CORPORATION. ALL RIGHTS RESERVED.

LOC	DIST	REVISIONS					
		P	LTR	DESCRIPTION	DATE	DWN	APVD
AD	00		A	ECO-07-01031	14MAY2007	RB	DR

⚠ MATERIAL: THERMOPLASTIC, COLOR: SEE TABLE



SCALE 4:1



BLACK	1877841-7
GRAY	1877841-6
BLUE	1877841-5
GREEN	1877841-4
YELLOW	1877841-3
WHITE	1877841-2
RED	1877841-1
COLOR	PART NO.

<small>THIS DRAWING IS A CONTROLLED DOCUMENT FOR TYCO ELECTRONICS CORPORATION. IT IS SUBJECT TO CHANGE AND THE CONTROLLING ENGINEERING ORGANIZATION SHOULD BE CONTACTED FOR THE LATEST REVISION.</small>		DWN: 07DEC2006 RLK CHK: 14DEC2006 L. BREKOSKY APVD: -	Tyco Electronics Harrisburg, PA 17105-3608
DIMENSIONS: mm 	TOLERANCES UNLESS OTHERWISE SPECIFIED: 0 PLC ± 1 PLC ±0.13 2 PLC ±0.08 3 PLC ± 4 PLC ± ANGLES ±° FINISH	PRODUCT SPEC: - APPLICATION SPEC: - WEIGHT: -	NAME: COLLET, BACK-NUT SIZE: A2 CAGE CODE: 00779 DRAWING NO: 1877841 RESTRICTED TO: -
MATERIAL: -		CUSTOMER DRAWING SCALE 5:1 SHEET 1 OF 1 REV A	

Mouser Electronics

Authorized Distributor

Click to View Pricing, Inventory, Delivery & Lifecycle Information:

[TE Connectivity:](#)

[1877841-1](#)