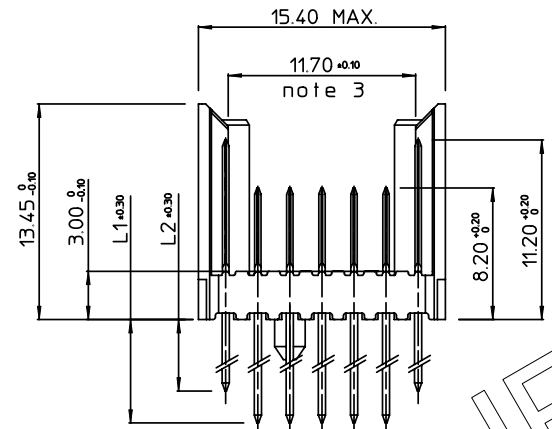
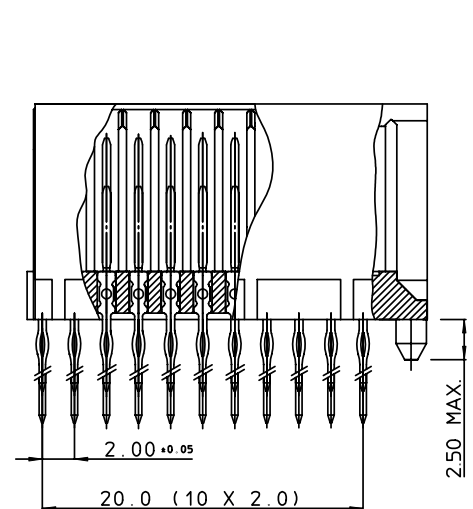


REV.	DATE	DESCRIPTION	BY	C'K'D'
A	2001-09-14	CONVERSION REVISION 05	KN	
B	2005-10-22	105-0196	ALEX B	BKP
C	2006-07-04	106-0096	VIVEK	BKP
05	2001-05-31	BEC 9,3525	R.M.	



PERFORMANCE CHARACTERISTICS

CURRENT RATING : 1.5 A AT 20°C (FULLY LOADED)
 1 A AT 70°C (FULLY LOADED)

RATED VOLTAGE : 500 V AC (CONT / CONT)

OPERATING TEMPERATURE : -55°C TO 125°C

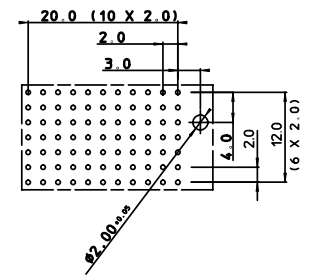
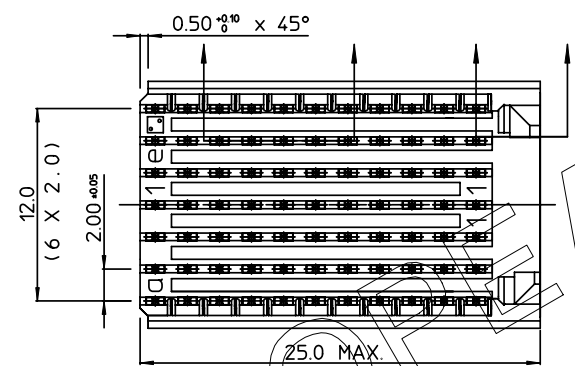
CONTACT RESISTANCE : 20 mΩ MAX

INSERTION FORCE : 0.75 N MAX / CONT

EXTRACTION FORCE : 0.15 N MIN / CONT

INSULATION RESISTANCE : 10⁴ MΩ MIN

CAT	NR.	L1 ±0.3	L2 ±0.3	DESCRIPTION
HM2P09PD5111----		3.7	3.7	SHORT PRESS-FIT
HM2P09PC5111----		4.5	4.5	SHORT PRESS-FIT
HM2P09PK5111----		13	4.5	REAR PLUG-UP: LEVEL 1
HM2P09PM5111----		14.5	4.5	REAR PLUG-UP: LEVEL 2
HM2P09PN5111----		16	4.5	REAR PLUG-UP: LEVEL 3
HM2P09PT5111----		13	4.5	WIRE WRAP



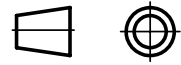
LAY-OUT
P.C.B. - HOLE

NOTES

- *HM2P09P#5111---*
 PERFORMANCE LEVEL INDICATOR (REFER DWG No. BS,C ,201844,003)
 LEAD FREE INDICATOR : LF=LEAD FREE (DIGIT 15&16)
- THIS PRODUCT IS CSA APPROVED.
 THIS PRODUCT IS UL RECOGNIZED.
- MEASURED AT THE BOTTOM.
- FOR RECOMMENDED PTH DIMENSIONS REFER DRAWING : BS,A ,201572,001
- THE PRODUCT (LF) MEETS EUROPEAN UNION DIRECTIVES AND OTHER COUNTRY REGULATIONS AS DESCRIBED IN GS-22-008

MALE SIGNAL STRAIGHT PRESS-FIT-TO-BOARD CONNECTOR				
EXTENSION MODULE (WIDE BODY)				
1DEC ±0,2	APPR.	DATE	SIGN.	MILLIPACS 2 / TYPE C / SHIELDED
2DEC ±0,1	DRAFT	1994-05-17	W.Panis	CAT. No. HM2P09P#5111----
ANGLES ±1°	CHECKED			
WE RESERVE THE RIGHT TO CHANGE DIMENSIONS OR REQUIREMENTS WITHOUT PRIOR NOTICE.	PROD. MGR.			FCJ www.fciconnect.com
	PR. ENG. MGR.			
ALL DIMENSIONS IN MM	PR. MGT. MGR.			SCALE 3/1

REFERENCES



Mouser Electronics

Authorized Distributor

Click to View Pricing, Inventory, Delivery & Lifecycle Information:

[FCI / Amphenol:](#)

[HM2P09PD5111N9LF](#) [HM2P09PK5111GFLF](#) [HM2P09PK5111GF](#) [HM2P09PD5111N9](#) [HM2P09PC5111N9LF](#)
[HM2P09PM5111GFLF](#) [HM2P09PZ5111N9](#) [HM2P09PZ5111N9LF](#) [HM2P09PC5111N9](#) [HM2P09PM5111GF](#)
[HM2P09PN5111GF](#)