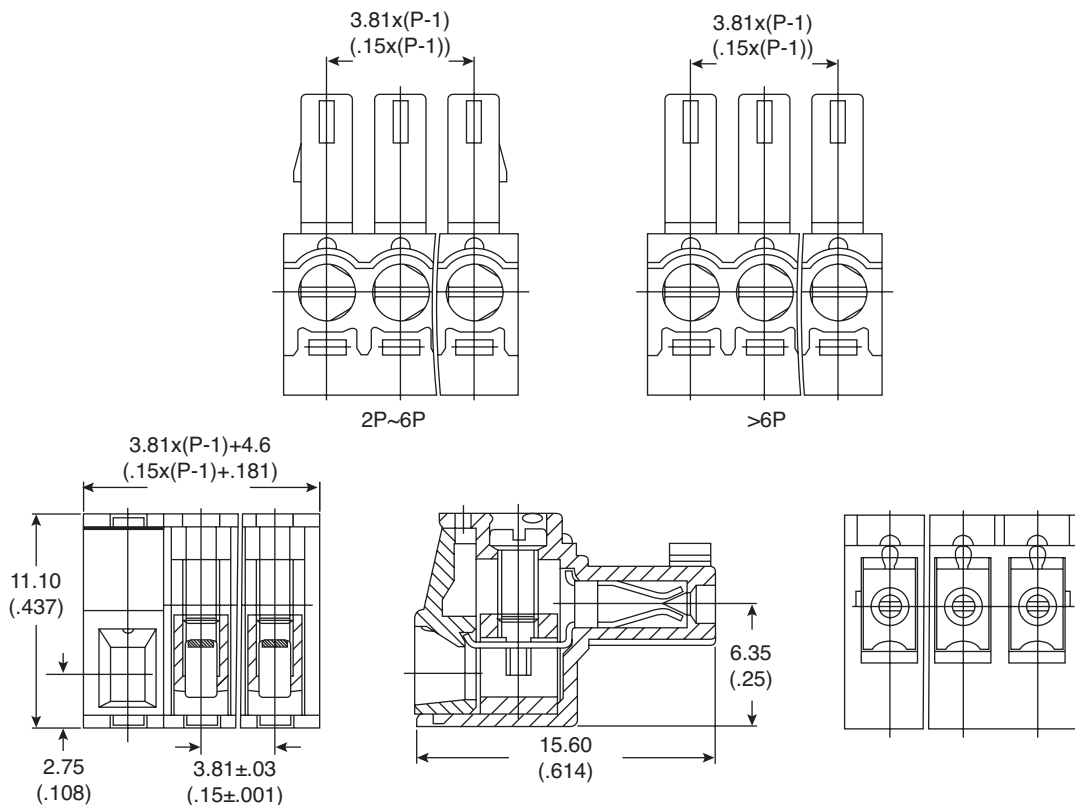


# Terminal Block Plugs



158-P02EC381VP-E, 158-P03EC381VP-E, 158-P04EC381VP-E, 158-P05EC381VP-E,  
158-P06EC381VP-E, 158-P07EC381VP-E, 158-P08EC381VP-E, 158-P09EC381VP-E,  
158-P10EC381VP-E, 158-P11EC381VP-E, 158-P12EC381VP-E

Terminal Block Plugs



Dimensions: mm (in.)

ELECTRICAL SPECIFICATIONS	
<b>Rating:</b>	300V 8A
<b>Pitch:</b>	3.81 mm
<b>Insulation withstands voltage:</b>	AC 1000V/Min
<b>Insulation resistance:</b>	1000MΩ or more at DC500V
<b>Temperature range:</b>	-40°C~ +120°C
<b>Screw torque value:</b>	2kg-cm(MAX)
<b>Electric wire:</b>	22~16 AWG

MATERIAL SPECIFICATIONS	
<b>Clamp:</b>	bronze
<b>Screw1:</b>	steel, M2/Zn plated
<b>End cover:</b>	PBT, green
<b>Wire cage:</b>	hard brass M2/Ni plated
<b>Housing:</b>	PBT, green
RoHS Compliant	

Date Last Revised: 3-7-07

Available from Mouser Electronics  
1-800-346-6873 / [www.mouser.com](http://www.mouser.com)

KC-301018

Specifications are subject to change without notice. No liability or warranty implied by this information. Environmental compliance based on producer documentation.

158-P02EC381VP-E, 158-P03EC381VP-E, 158-P04EC381VP-E, 158-P05EC381VP-E,  
158-P06EC381VP-E, 158-P07EC381VP-E, 158-P08EC381VP-E, 158-P09EC381VP-E,  
158-P10EC381VP-E, 158-P11EC381VP-E, 158-P12EC381VP-E

# Mouser Electronics

Authorized Distributor

Click to View Pricing, Inventory, Delivery & Lifecycle Information:

[Kobiconn:](#)

[158-P04EC381VP-E](#) [158-P05EC381VP-E](#) [158-P11EC381VP-E](#) [158-P08EC381VP-E](#) [158-P03EC381VP-E](#) [158-P07EC381VP-E](#) [158-P12EC381VP-E](#) [158-P10EC381VP-E](#) [158-P02EC381VP-E](#) [158-P06EC381VP-E](#) [158-P09EC381VP-E](#)