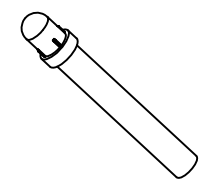
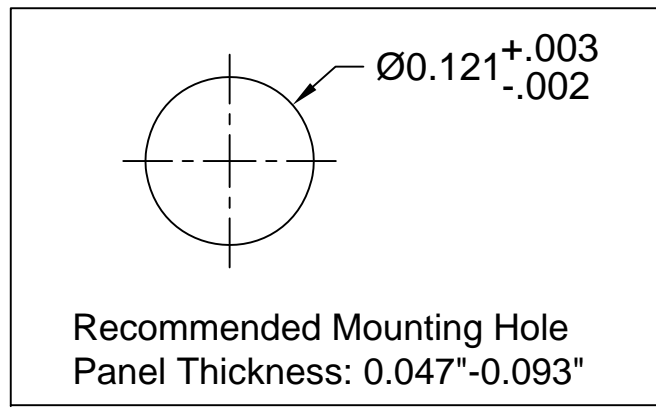
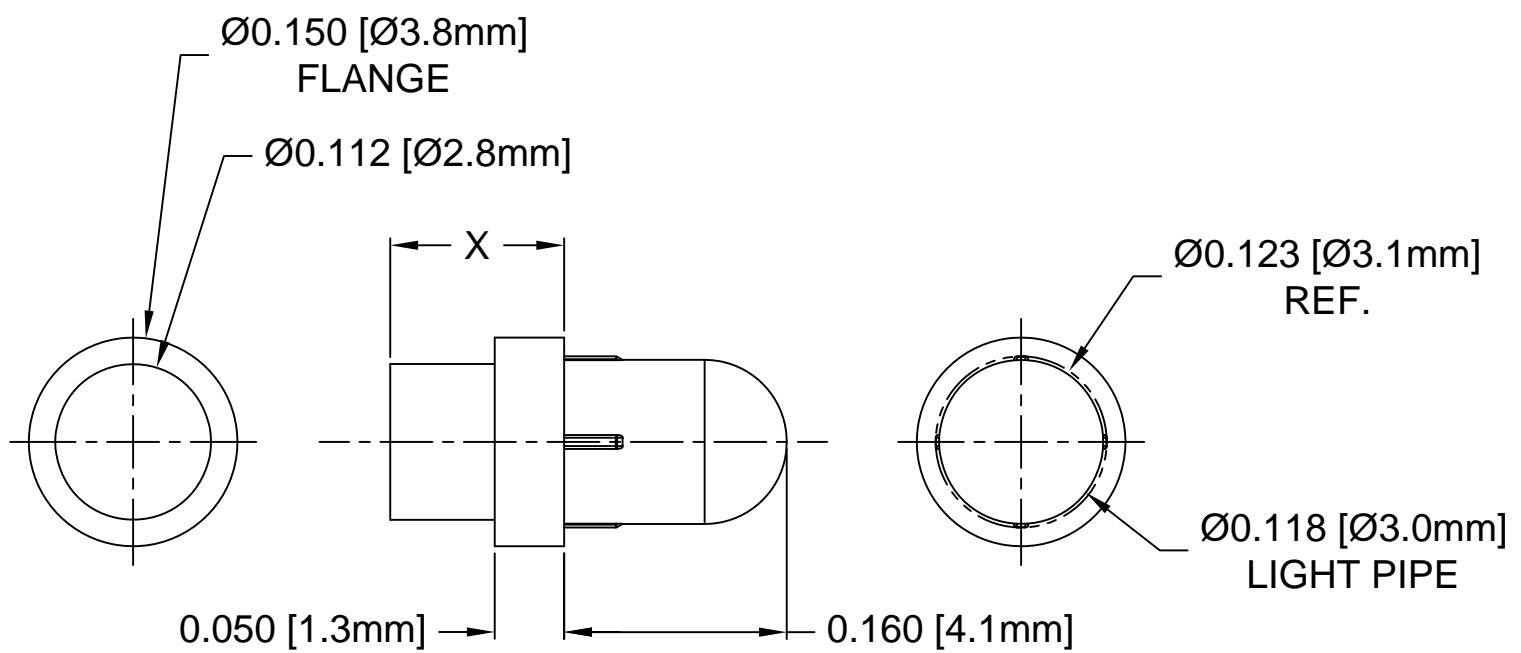

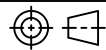


| Part No. | X = Body Length |
|-----------|------------------|
| PLP1-100 | 0.100 (2.5mm) |
| PLP1-125 | 0.125 (3.2mm) |
| PLP1-175 | 0.175 (4.4mm) |
| PLP1-188 | 0.188 (4.8mm) |
| PLP1-200 | 0.200 (5.1mm) |
| PLP1-250 | 0.250 (6.4mm) |
| PLP1-313 | 0.313 (7.9mm) |
| PLP1-350 | 0.350 (8.9mm) |
| PLP1-375 | 0.375 (9.5mm) |
| PLP1-460 | 0.460 (11.7mm) |
| PLP1-500 | 0.500 (12.7mm) |
| PLP1-625 | 0.625 (15.9mm) |
| PLP1-750 | 0.750 (19.0mm) |
| PLP1-3MM | 3mm (0.118") |
| PLP1-4MM | 4mm (0.157") |
| PLP1-5MM | 5mm (0.197") |
| PLP1-6MM | 6mm (0.236") |
| PLP1-7MM | 7mm (0.276") |
| PLP1-8MM | 8mm (0.315") |
| PLP1-9MM | 9mm (0.354") |
| PLP1-10MM | 10mm (0.394") |

| REV. | DESCRIPTION | DATE | APPROVED |
|------|---|----------|----------|
| M | Added .175" and .200" Lengths To Offering List. | 02/27/14 | J. C. |
| P | Added Panel Thicknes. | 05/01/15 | J. C. |
| Q | Added .100", .188", .313" Lengths to Offering List. | 05/27/15 | J. C. |
| R | Added Metric Lengths to Offering List. | 07/15/15 | J. C. |
| T | Added Color Options, Sheet #2. | 02/02/16 | J. C. |



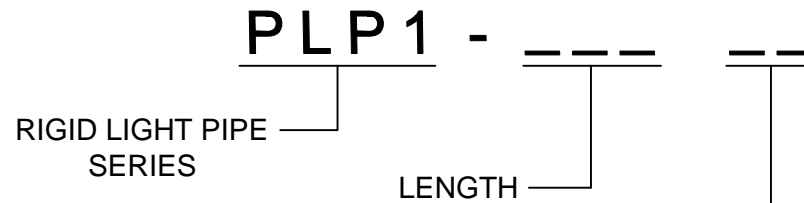
2. MATERIAL: POLYCARBONATE, 94V-0, CLEAR.
1. GENERAL SPECIFICATIONS: BIVAR MOLDED COMPONENT SPECIFICATION BV00-E101 and BSMC-1001.

| | | | |
|---|--------------------------|---|-----------------------|
| STANDARD TOLERANCE (UNLESS OTHERWISE SPECIFIED) | |  4 THOMAS, IRVINE, CA. 92618 TEL: (949) 951-8808 FAX: (949) 951-3974 | |
| DECIMALS | ANGULAR | | |
| .X ± .1 | X° ± 1° |  TITLE: PRESS-FIT, PANEL MOUNT, LIGHT PIPE, ROUND TOP | |
| .XX ± .01 | | | |
| .XXX ± .005 | | | |
| DESIGNED: Michael Chen | DATE: 01/16/02 | PART NO: PLP1-XXX | REVISION: T |
| CHECKED: E. M. Muldoon | DATE: 04/26/02 | CAGE CODE : 32559 | SHEET # 1 OF 2 |
| CAD GENERATED DOCUMENT. DO NOT MEASURE DRAWING. | | | |

OTHER AVAILABLE COLORS

* SEE TABLE FOR ORDERING INFORMATION

| REV. | DESCRIPTION | DATE | APPROVED |
|------|--------------|------|----------|
| | SEE SHEET #1 | | |
| | | | |
| | | | |
| | | | |



| COLOR | Order Code |
|--------|------------|
| BLUE | BE |
| BLACK | BK |
| GREEN | GN |
| GRAY | GY |
| RED | RD |
| YELLOW | YW |

NOTE: LEAVE ORDER CODE BLANK IF NO COLOR IS DESIRED.

3. PARTS ARE DYED TO COLOR UPON REQUEST.

| | | | |
|--|--|--|--|
| STANDARD TOLERANCE (UNLESS OTHERWISE SPECIFIED) <u>DECIMALS</u> <u>ANGULAR</u> | | BIVAR [®] 4 THOMAS, IRVINE, CA. 92618 TEL: (949) 951-8808 FAX: (949) 951-3974 | |
| DESIGNED: K. Aukshunas | | DATE: 01/22/16 | |
| | | | |
| CHECKED: J. Chiang | | DATE: 01/22/16 | |
| PART NO: PLP1-XXX | | REVISION: T | |
| CAGE CODE : 32559 | | SHEET # 2 OF 2 | |
| CAD GENERATED DOCUMENT. DO NOT MEASURE DRAWING. | | | |

Mouser Electronics

Authorized Distributor

Click to View Pricing, Inventory, Delivery & Lifecycle Information:

BIVAR:

[PLP1-125](#) [PLP1-250](#) [PLP1-375](#) [PLP1-500](#) [PLP1-625](#) [PLP1-750](#) [PLP1-625-F](#) [PLP1-125 BE](#) [PLP1-125 GN](#) [PLP1-125 GY](#) [PLP1-125 RD](#) [PLP1-125 YW](#) [PLP1-175](#) [PLP1-200](#) [PLP1-250 BE](#) [PLP1-250 GN](#) [PLP1-250 RD](#) [PLP1-250 YW](#) [PLP1-350](#) [PLP1-350 BE](#) [PLP1-350 GN](#) [PLP1-350 RD](#) [PLP1-350 YW](#) [PLP1-375 BE](#) [PLP1-375 GN](#) [PLP1-375 RD](#) [PLP1-375 YW](#) [PLP1-460](#) [PLP1-500 BE](#) [PLP1-500 GN](#) [PLP1-500 RD](#) [PLP1-500 YW](#) [PLP1-625 BE](#) [PLP1-625 GN](#) [PLP1-625 RD](#) [PLP1-625 YW](#) [PLP1-750 BE](#) [PLP1-750 GN](#) [PLP1-750 RD](#) [PLP1-750 YW](#)