

VSC8221

Single Port 10/100/1000BASE-T PHY with 1.25 Gbps SerDes for SFPs / GBICs

The VSC8221 is the smallest, lowest power Gigabit Ethernet over copper PHY available and is ideal for SFP/GBIC and Media Converter applications. It is the only triple speed copper SFP PHY to meet the stringent MSA power consumption requirement of <1 W for the entire module. Its integrated switching regulator enables it to be powered by a single 3.3 V power supply, reducing board space requirements and system cost.

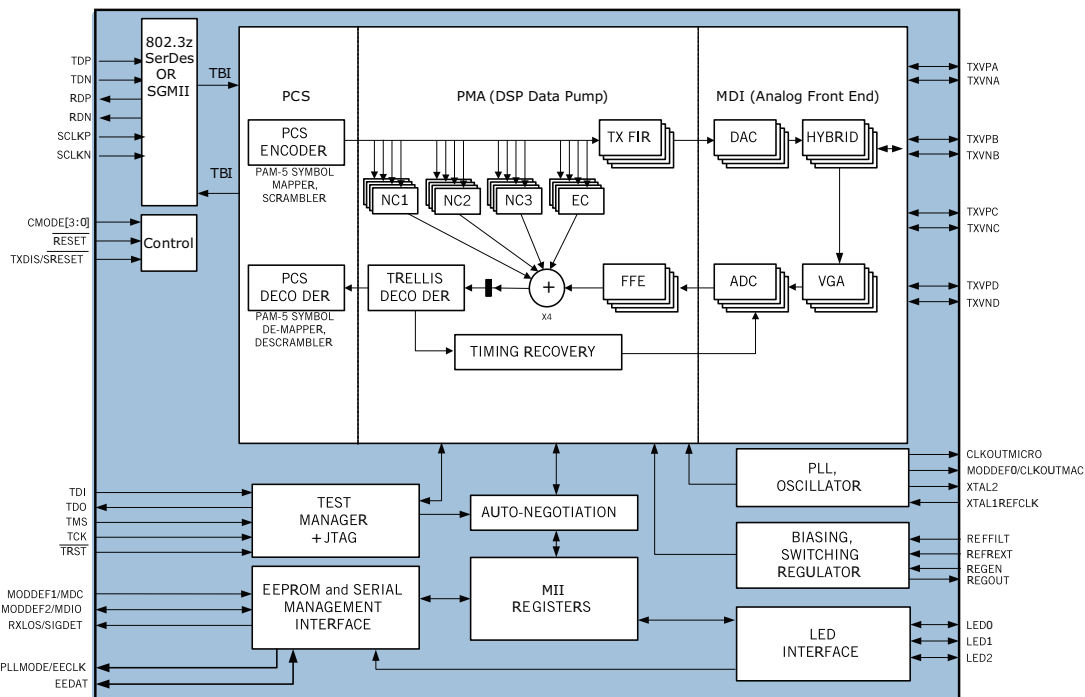
Microsemi's mixed signal and DSP architecture yields robust performance, supporting both full and half duplex 10BASE-T, 100BASE-TX, and 1000BASE-T over >140 m of Category 5, unshielded twisted pair (UTP) cable, with industry leading tolerance to NEXT, FEXT, Echo, and system noise.

Applications

- Triple Speed Copper SFP/GBIC modules
- Media converters

Specifications

- Steady state power consumption (1000BASE-T) including SerDes
- Power consumption in ActiPHY™ power down mode
- Cable link length supported in 1000BASE-T & 100BASE-TX modes
- SerDes, SGMII interface data rate
- DC power supply voltage range
- Crystal parallel resonant frequency (± 100 ppm tolerance)



Microsemi makes no warranty, representation, or guarantee regarding the information contained herein or the suitability of its products and services for any particular purpose, nor does Microsemi assume any liability whatsoever arising out of the application or use of any product or circuit. The products sold hereunder and any other products sold by Microsemi have been subject to limited testing and should not be used in conjunction with mission-critical equipment or applications. Any performance specifications are believed to be reliable but are not verified, and Buyer must conduct and complete all performance and other testing of the products, alone and together with, or installed in, any end-products. Buyer shall not rely on any data and performance specifications or parameters provided by Microsemi. It is the Buyer's responsibility to independently determine suitability of any products and to test and verify the same. The information provided by Microsemi hereunder is provided "as is, where is" and with all faults, and the entire risk associated with such information is entirely with the Buyer. Microsemi does not grant, explicitly or implicitly, to any party any patent rights, licenses, or any other IP rights, whether with regard to such information itself or anything described by such information. Information provided in this document is proprietary to Microsemi, and Microsemi reserves the right to make any changes to the information in this document or to any products and services at any time without notice.

VSC8221

Single Port 10/100/1000BASE-T PHY with 1.25 Gbps SerDes for SFPs / GBICs

Features

- Very low power consumption at < 700 mW
- Single 3.3 V power supply with on-chip regulator
- Patented, low EMI line driver with integrated line side termination resistors
- Supports PICMG 2.16 and 3.0 Ethernet backplanes at approximately 500 mW
- High performance 1.25 Gbps SerDes supports SGMII and SerDes to CAT-5 interfaces
- Compliant with IEEE 802.3 (10BASE-T, 100BASE-TX, 1000BASE-T, 1000BASE-X) and SFP MSA specifications
- Full suite of BIST, MAC, far-end, and connector loopback modes
- Over 150 m of Category 5 reach with industry's highest noise tolerance
- VeriPHY™ cable diagnostics software suite
- Automatic detection and correction of cable pair swaps, pair skew and pair polarity, along with auto MDI/MDI-X crossover function
- Several flexible power management modes
- Manufactured in advanced 0.13 μm , 3.3 V/1.2 V digital CMOS process

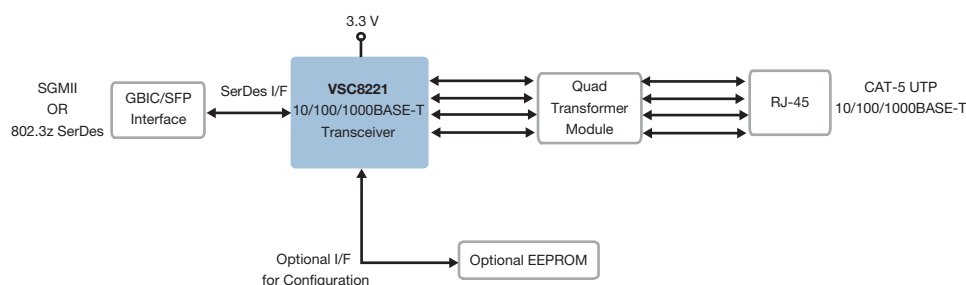
Benefits

- Only Gigabit Ethernet PHY that enables copper SFP designers to meet the stringent MSA power consumption specification of < 1 W

- Eliminates external regulators, reducing system costs
- Removed 12 passive components, reducing PCB area and cost by 50%
- Lowest power mode reduces power supply costs
- Connects to serial MACs or optical modules and can be used to design copper SFP/GBIC modules and 100BASE-FX modules
- Ensures seamless deployment throughout copper and optical networks with industry's highest tolerance to noise and substandard cabling infrastructures
- Simplifies comprehensive in-system test to ensure the highest product quality
- Ensures trouble-free deployment in real world Ethernet networks
- Enables network manufacturers to simplify deployment and improve network management capabilities of gigabit Ethernet links
- Compatible with 1st generation 1000BASE-T PHYs, minimizing common interoperability problems
- Reduces power consumption and system costs
- Most cost effective technology eliminates more expensive analog process variants

Related Products

Visit www.microsemi.com for information about other related products.



Microsemi Corporate Headquarters
 One Enterprise, Aliso Viejo, CA 92656 USA
 Within the USA: +1 (800) 713-4113
 Outside the USA: +1 (949) 380-6100
 Sales: +1 (949) 380-6136
 Fax: +1 (949) 215-4996
 email: sales.support@microsemi.com
www.microsemi.com

Microsemi Corporation (Nasdaq: MSCC) offers a comprehensive portfolio of semiconductor and system solutions for communications, defense and security, aerospace, and industrial markets. Products include high-performance and radiation-hardened analog mixed-signal integrated circuits, FPGAs, SoCs, and ASICs; power management products; timing and synchronization devices and precise time solutions; voice processing devices; RF solutions; discrete components; enterprise storage and communications solutions, security technologies, and scalable anti-tamper products; Ethernet solutions; Power-over-Ethernet ICs and midspans; custom design capabilities and services. Microsemi is headquartered in Aliso Viejo, California, and has approximately 4,800 employees worldwide. Learn more at www.microsemi.com.

Mouser Electronics

Authorized Distributor

Click to View Pricing, Inventory, Delivery & Lifecycle Information:

[Microchip:](#)

[VSC8221XHH](#)