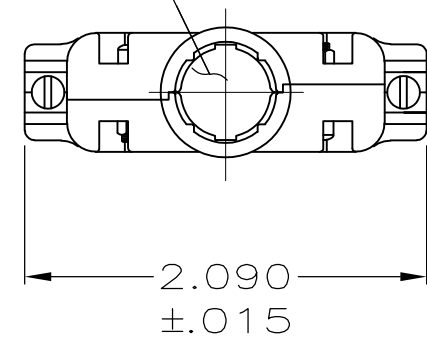


THIS DRAWING IS UNPUBLISHED. RELEASED FOR PUBLICATION
 © COPYRIGHT - By - ALL RIGHTS RESERVED.

LOC	DIST	REVISIONS					
		P	LTR	DESCRIPTION	DATE	DWN	APVD
GP	00	P		REVISED PER ECO-11-004835	11MAR11	RK	HMR

OPENING FOR CABLE
 (SEE DASH NO. FOR DIA.)



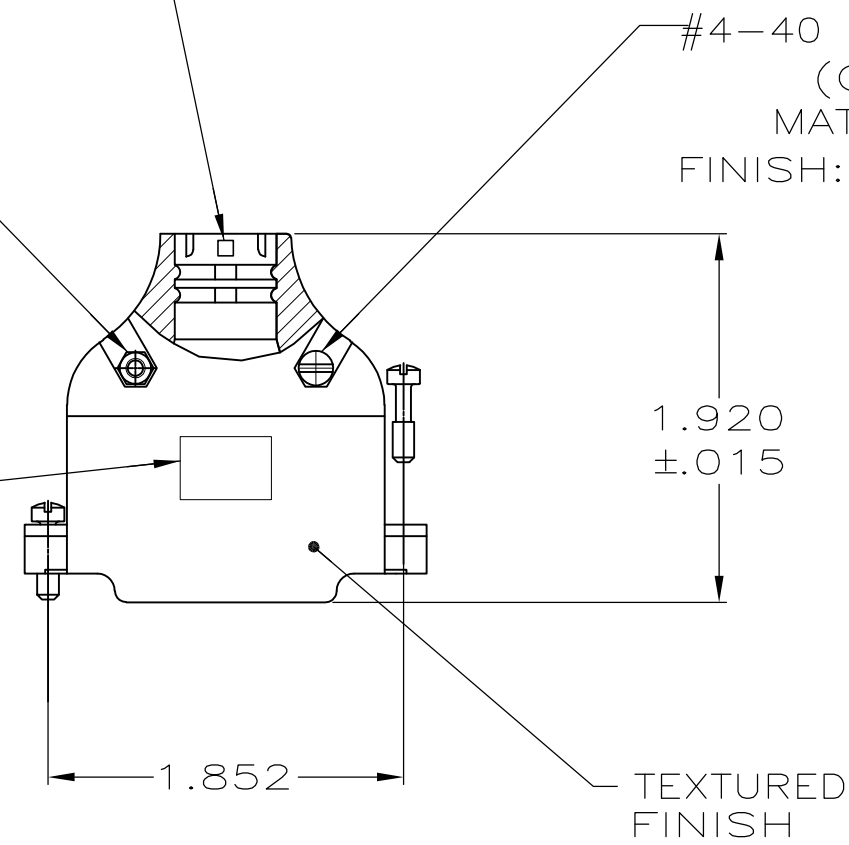
- PARTS PACKAGED UNASSEMBLED, AS A UNIT KIT.
- ZINC PLATED .000200-.000400 THICK, CLEAR CHROMATE COATING.

SIZE IDENTIFICATION LETTER
 MOLDED IN APPROXIMATE AREA
 SHOWN, SEE TABLE

#4-40 HEX NUT
 (QTY. 2)
 MATL: CARBON STEEL
 FINISH: Δ_2

#4-40 FIL HD SCREW
 (QTY. 2)
 MATL: STEEL
 FINISH: Δ_2

AMP LOGO



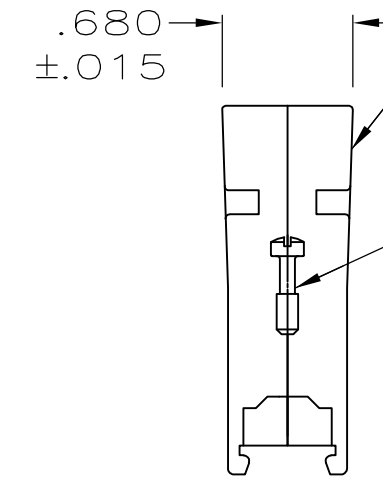
TEXTURED
 FINISH

CABLE CLAMP HALF
 (QTY. 2)
 MATL: ZINC ALLOY
 FINISH: NICKEL OVER COPPER

.680
 ±.015

#4-40 MOUNTING SCREW
 (QTY. 2)
 MATL: CARBON STEEL
 FINISH: Δ_2

.620
 ±.015



D	.280	5745173-5
G	.350	5745173-4
K	.430	5745173-3
M	.480	5745173-2
P	.530	5745173-1
NECK SIZE IDENT	MAX CABLE DIA	PART NUMBER

THIS DRAWING IS A CONTROLLED DOCUMENT.		DWN	12AUG05	 TE Connectivity
DIMENSIONS: INCHES		CHK	12AUG05	
TOLERANCES UNLESS OTHERWISE SPECIFIED:		APVD	12AUG05	
0 PLC ± - 1 PLC ± - 2 PLC ± - 3 PLC ± .005 4 PLC ± - ANGLES ± -		NAME	M. WALMSLEY	
MATERIAL SEE CALLOUTS		FINISH SEE CALLOUTS		PRODUCT SPEC APPLICATION SPEC WEIGHT -
CUSTOMER DRAWING				SIZE A2 CAGE CODE 00779 DRAWING NO. C-5745173 RESTRICTED TO - SCALE 1:1 SHEET 1 of 1 REV P

Mouser Electronics

Authorized Distributor

Click to View Pricing, Inventory, Delivery & Lifecycle Information:

[TE Connectivity:](#)

[5745173-4](#)