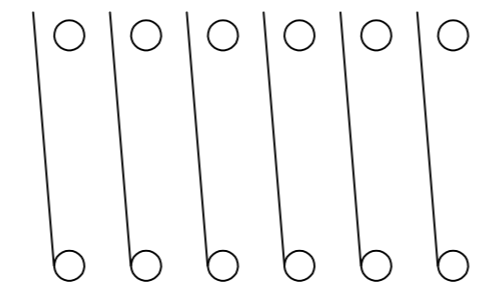
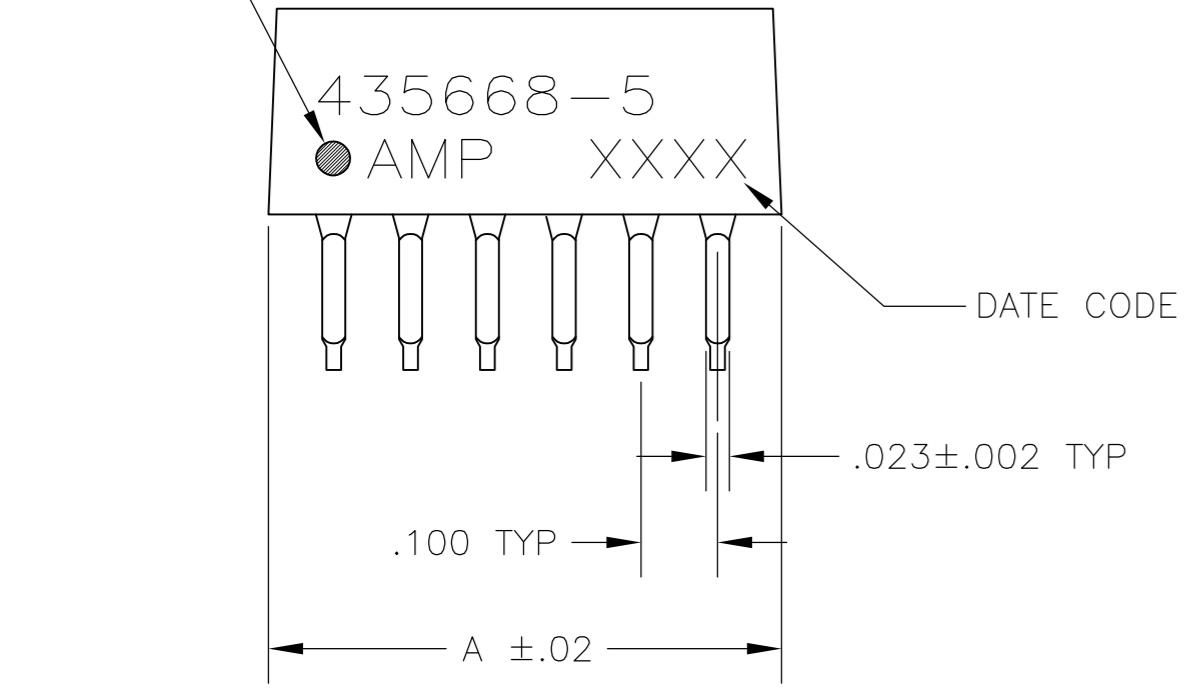
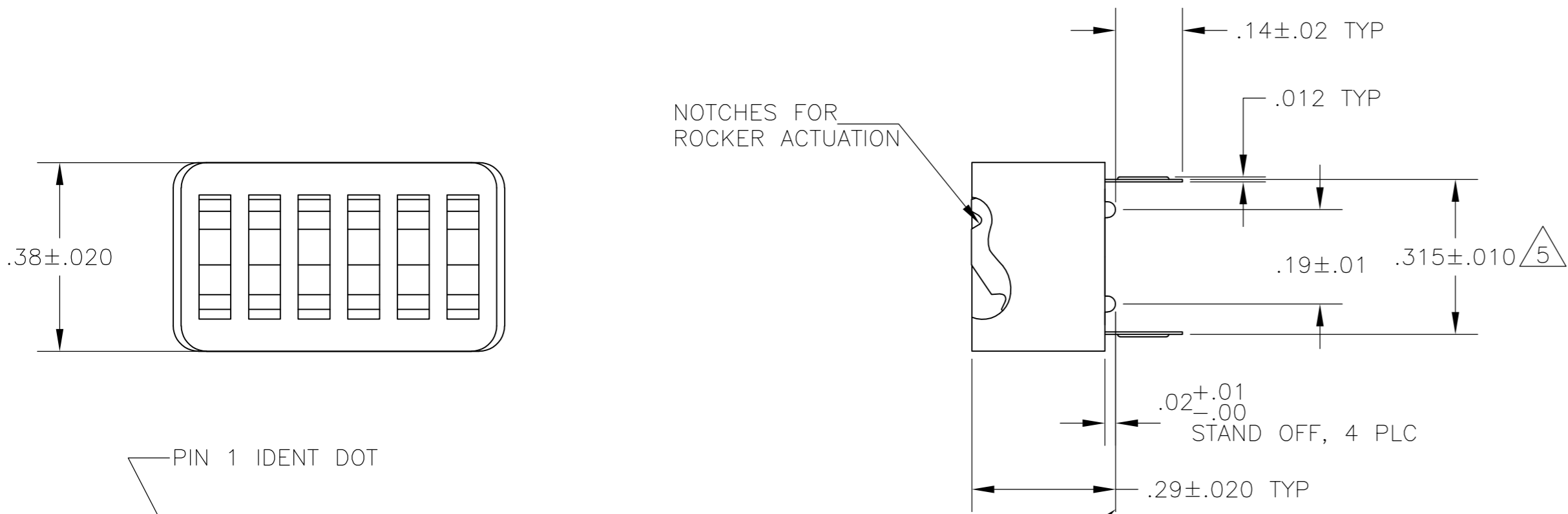


THIS DRAWING IS UNPUBLISHED. RELEASED FOR PUBLICATION  
 © COPYRIGHT - By - ALL RIGHTS RESERVED.

LOC		DIST		REVISIONS			
P	LTR	DESCRIPTION	DATE	DWN	APVD		
AD	00	AM2	REVISD PER ECO-11-004587	11MAR11	RK	HMR	



CONTACT ARRANGEMENT

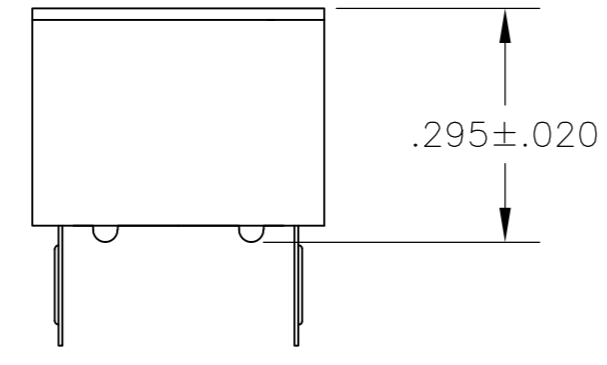
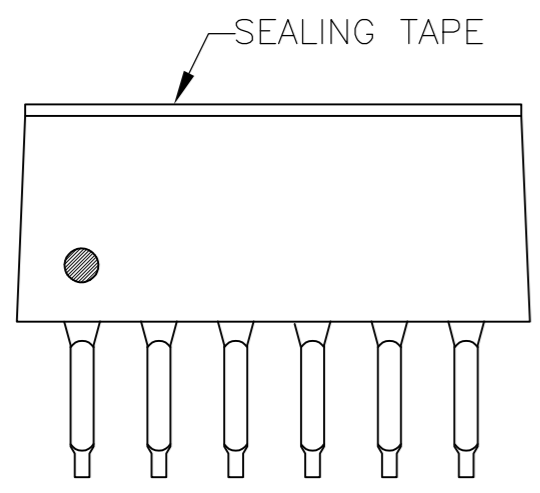


FIG1

435668-5 SHOWN

- FOR ADDITIONAL SPECIFICATIONS SEE AMP PRODUCT SPEC 108-7532.
  - SWITCH SHOWN IN OPEN POSITION.
  - ALL CHARACTERS AND ROCKERS ARE WHITE, HOUSING IS BLUE.
  - STAMPING WILL VARY ON 2 AND 3 POSITION SIDES DUE TO SPACE RESTRICTIONS.
- △5 .315 DIMENSION APPLIES AT TERMINAL TIPS. TERMINALS ARE  $.300^{+.010}_{-.000}$  AT MOUNTING SURFACE.
- △6 OBSOLETE PARTS: OBSOLETE CIS STREAMLINING PER D.RENAUD/D.SINISI

FIG	DESCRIPTION	NO OF POSN	PART NO
△6	OBSOLETE	5	8-435668-7
	OBSOLETE		8-435668-6
	OBSOLETE	12	8-435668-5
SUPERSEDED BY 2-435668-5 FIG 3 & 4			
	OBSOLETE	6	8-435668-3
		4	8-435668-0
		5	3-435668-5
		4	3-435668-4
		3	3-435668-3
	FIG 1	12	3-435668-2
		11	3-435668-1
		10	3-435668-0
		9	2-435668-9
		8	2-435668-8
		7	2-435668-7
		2	2-435668-6
		6	2-435668-5
SUPERSEDED BY 3-435668-2			
		12	1-435668-1
		10	435668-9
		9	435668-8
SUPERSEDED BY 2-435668-7			
		8	435668-7
		7	435668-6
		6	435668-5
		5	435668-4
		4	435668-3
		3	435668-2
		2	435668-1
SUPERSEDED BY 3-435668-3			
	△6 OBSOLETE		

THIS DRAWING IS A CONTROLLED DOCUMENT.		DWN R.TALLEY 02JAN90	TE Connectivity	
DIMENSIONS: INCHES		CHK R.MILLER 03JAN90	NAME	
TOLERANCES UNLESS OTHERWISE SPECIFIED:		APVD H.LEITER 03JAN90	SWITCH ASSY, DIP, TYPE C, 7100 SERIES, SPST, LOW PROFILE	
0 PLC ± -		PRODUCT SPEC	SIZE A2	CAGE CODE 00779
1 PLC ± -		APPLICATION SPEC	DRAWING NO C=435668	RESTRICTED TO
2 PLC ± -			SCALE 4:1	SHEET 1 OF 2
3 PLC ± .005			REV AM2	
4 PLC ± -				
ANGLES ± -				
FINISH		WEIGHT -		
HOUSING & ROCKERS: POLYESTER		CUSTOMER DRAWING		
CONTACTS: PLATED .000030 MIN GOLD IN CONTACT AREA OVER .000050 MIN NICKEL				

THIS DRAWING IS UNPUBLISHED. RELEASED FOR PUBLICATION  
 © COPYRIGHT - By - ALL RIGHTS RESERVED.

LOC	DIST	REVISIONS					
AD	00	P	LTR	DESCRIPTION	DATE	DWN	APVD
		-	-	SEE SHEET 1	-	-	-

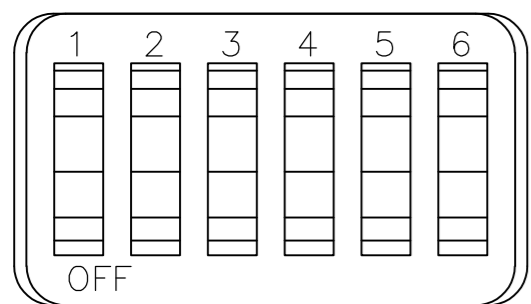


FIG 2

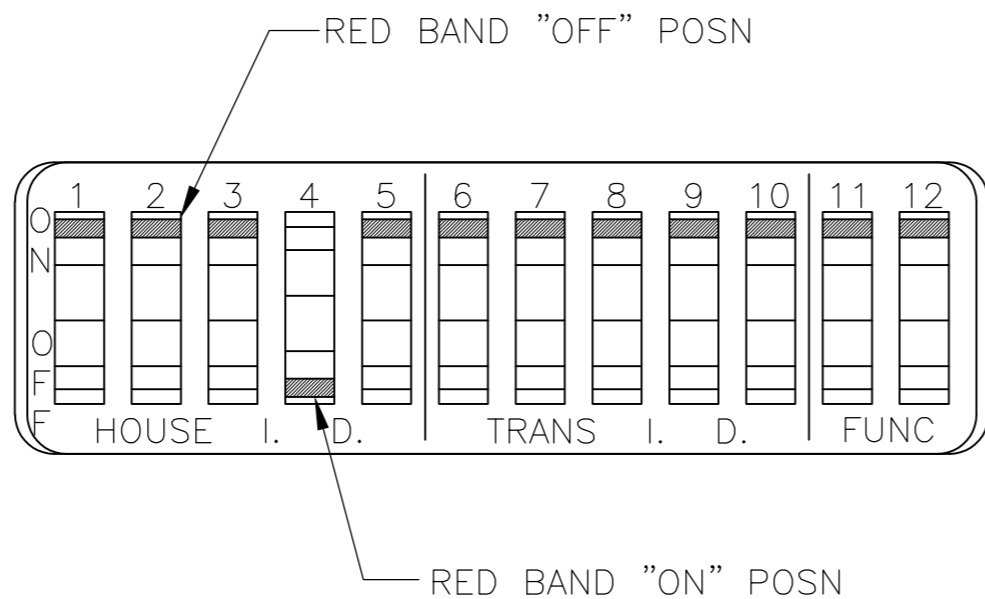


FIG 5

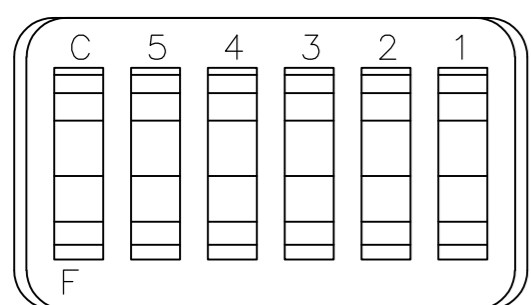


FIG 3

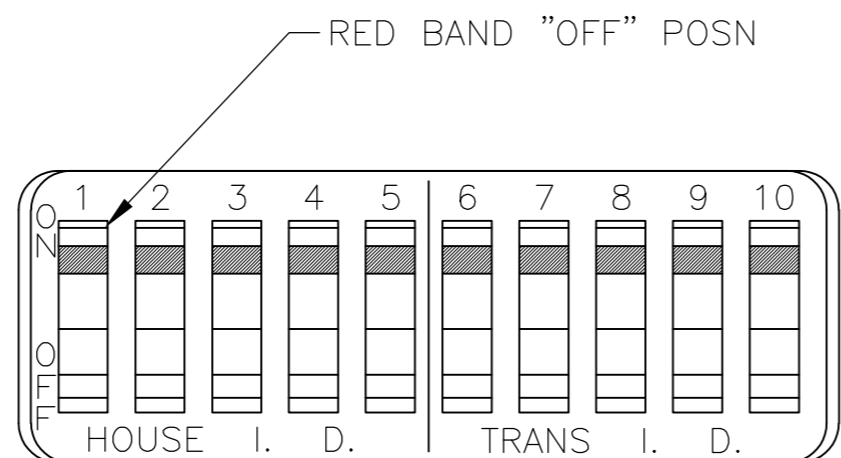


FIG 6

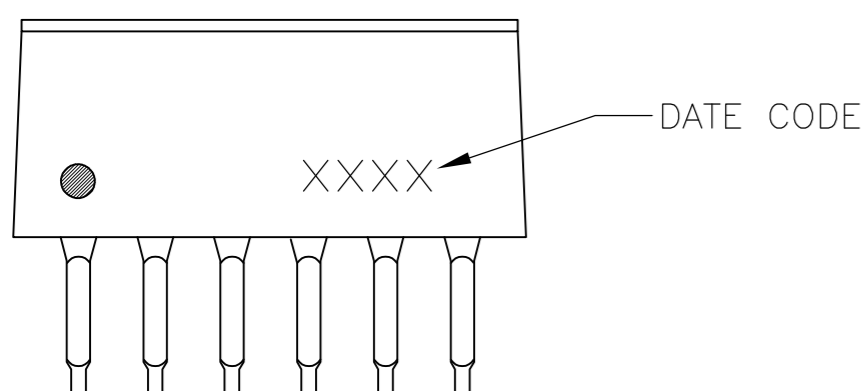


FIG 4

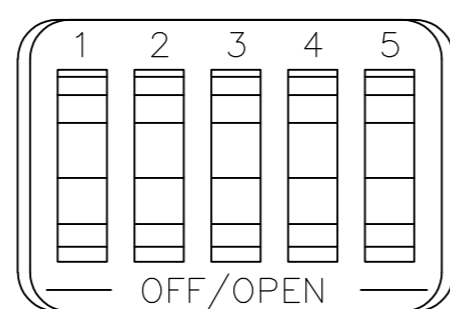


FIG 7

THIS DRAWING IS A CONTROLLED DOCUMENT.		DWN	R.TALLEY	02JAN90		TE Connectivity		
DIMENSIONS: INCHES		CHK	R.MILLER	03JAN90		NAME		
TOLERANCES UNLESS OTHERWISE SPECIFIED:		APVD	H.LEITER	03JAN90		SWITCH ASSY, DIP, TYPE C, 7100 SERIES, SPST, LOW PROFILE		
		PRODUCT SPEC	-			RESTRICTED TO		
MATERIAL		FINISH	WEIGHT		-	SIZE	A2	
			CAGE CODE		00779	DRAWING NO	C=435668	
			SCALE		4:1	SHEET	2 OF 2	
			CUSTOMER DRAWING			REV	AM2	

# Mouser Electronics

Authorized Distributor

Click to View Pricing, Inventory, Delivery & Lifecycle Information:

[TE Connectivity:](#)

[3-435668-0](#)