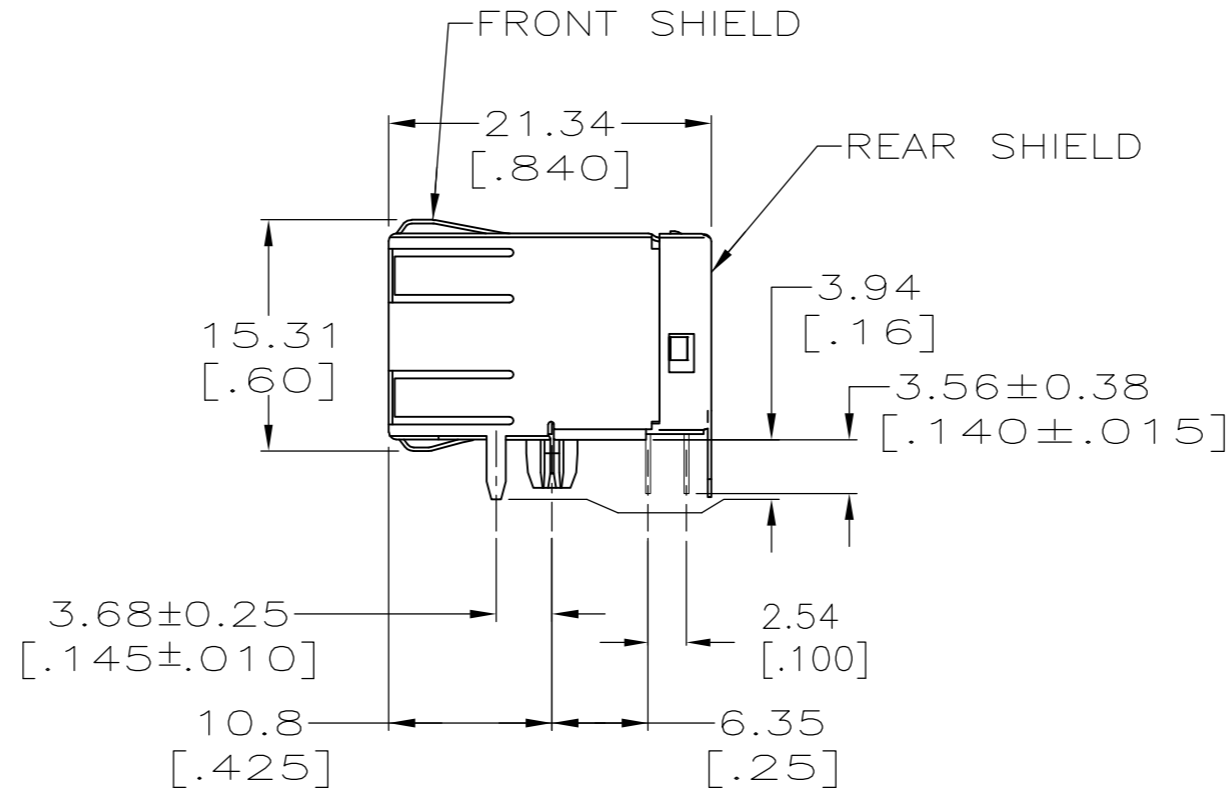
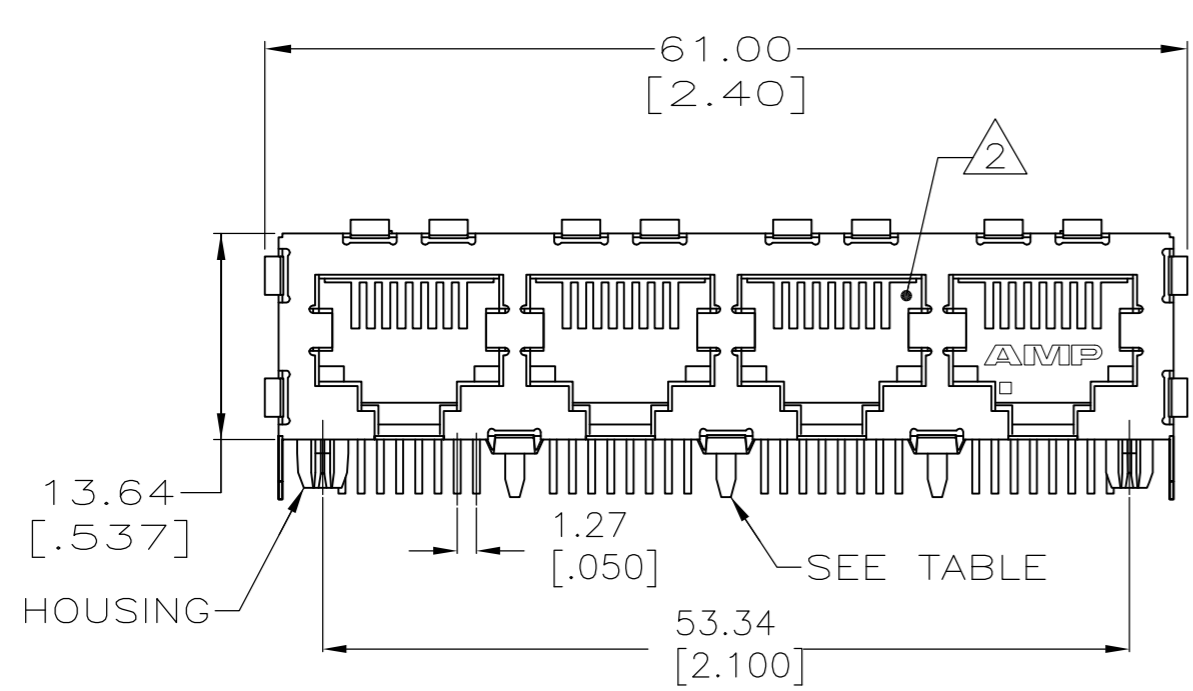


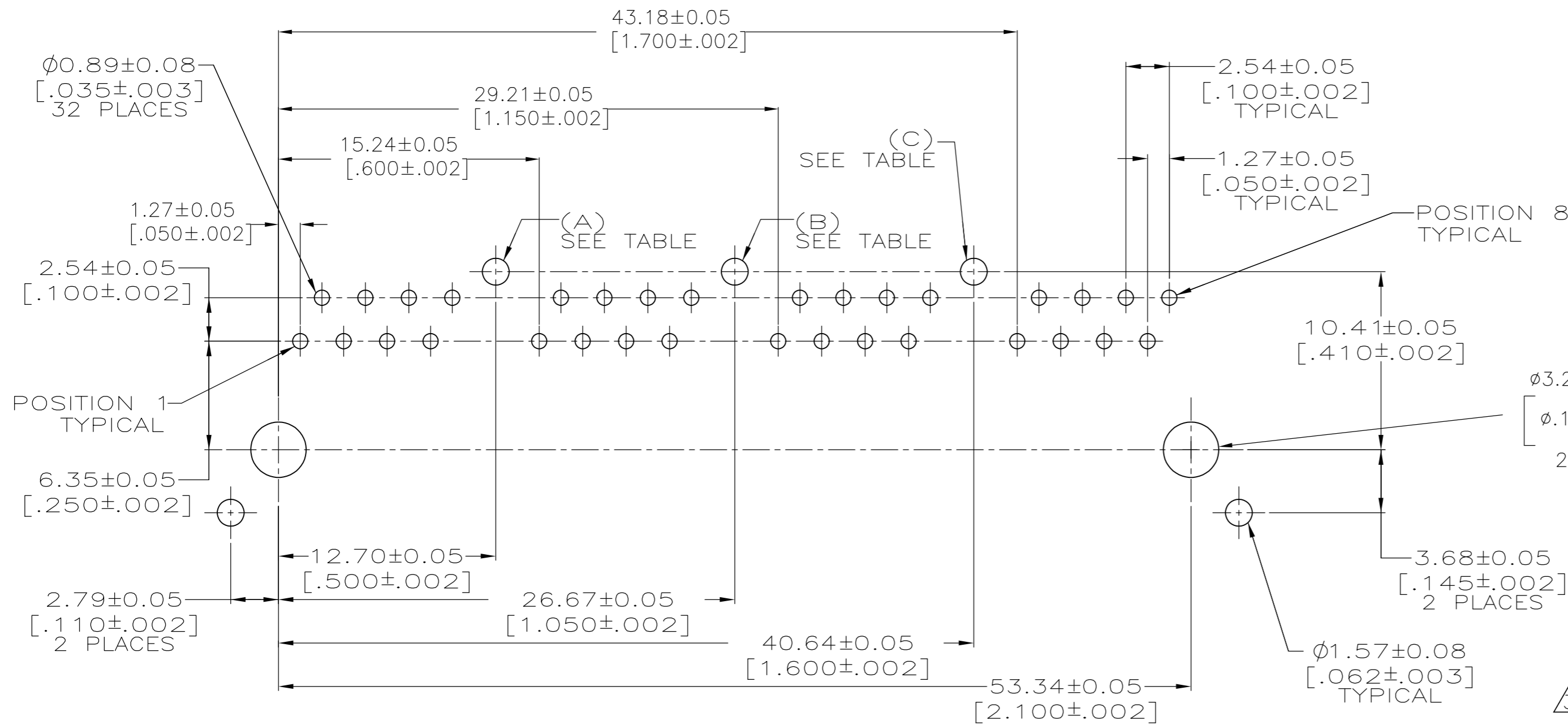
THIS DRAWING IS UNPUBLISHED. RELEASED FOR PUBLICATION
 © COPYRIGHT BY TYCO ELECTRONICS CORPORATION. ALL RIGHTS RESERVED.

LOC	DIST	REVISIONS					
AA	00	P	LTR	DESCRIPTION	DATE	DWN	APVD
		C1		REVISED PER ECO-09-024927	09NOV09	KK	AEG



- MATERIAL:
 HOUSING - NYLON, BLACK, UL 94V-0.
 OVERMOLDED TERMINAL ARRAY - PBT, BROWN.
 TERMINALS - 0.33[.013] THICK PHOS BRONZE PLATED WITH 1.27µm[.000050] MINIMUM HARD GOLD IN LOCALIZED AREA AND 3.81µm[.000150] MINIMUM MATTE TIN IN SOLDER AREA OVER 1.27 µm [.000050] MINIMUM NICKEL UNDERPLATE.
 SHIELD - 0.254[.010] THICK COPPER ALLOY PLATED WITH 1.27µm[.000050] MINIMUM NICKEL AND 2.03µm[.000080] MINIMUM HOT TIN DIP ON PCB GROUND TABS.

- △ JACK CAVITY CONFORMS TO FCC RULES AND REGULATIONS, PART 68 SUBPART F.
- △ OBSOLETE PARTS: OBSOLETE CIS STREAMLINING PER D.RENAUD/D.SINISI



SUGGESTED PC BOARD LAYOUT
 COMPONENT SIDE (TOP)
 SCALE 4:1

△ OBSOLETE	(A) (B) (C)	ALL THREE	5406275-3
	(B)	(1) MIDDLE	5406275-2
	NONE	NONE	-5406275-1
	HOLES USED	NO. OF REAR TABS	PART NO.

THIS DRAWING IS A CONTROLLED DOCUMENT.		DWN J. ALCORTA - DOCK5 07JUN2005	Tyco Electronics Corporation Harrisburg, PA 17105-3608	
DIMENSIONS: mm [inches]	TOLERANCES UNLESS OTHERWISE SPECIFIED:	CHK J. WESTMAN 07JUN2005	NAME S. FLICKINGER	
	0 PLC ± - 1 PLC ± - 2 PLC ± 0.25[.01] 3 PLC ± 0.13[.005] 4 PLC ± - ANGLES ± -	APVD S. FLICKINGER 07JUN2005	PRODUCT SPEC 108-1163-2	
MATERIAL SEE NOTE 1	FINISH SEE NOTE 1	APPLICATION SPEC 114-2048	SIZE A2	CAGE CODE 00779
		WEIGHT -	DRAWING NO. C=5406275	RESTRICTED TO -
CUSTOMER DRAWING		SCALE 2:1	SHEET 1 OF 1	REV C1

5406275

Mouser Electronics

Authorized Distributor

Click to View Pricing, Inventory, Delivery & Lifecycle Information:

[TE Connectivity:](#)

[5406275-2](#)