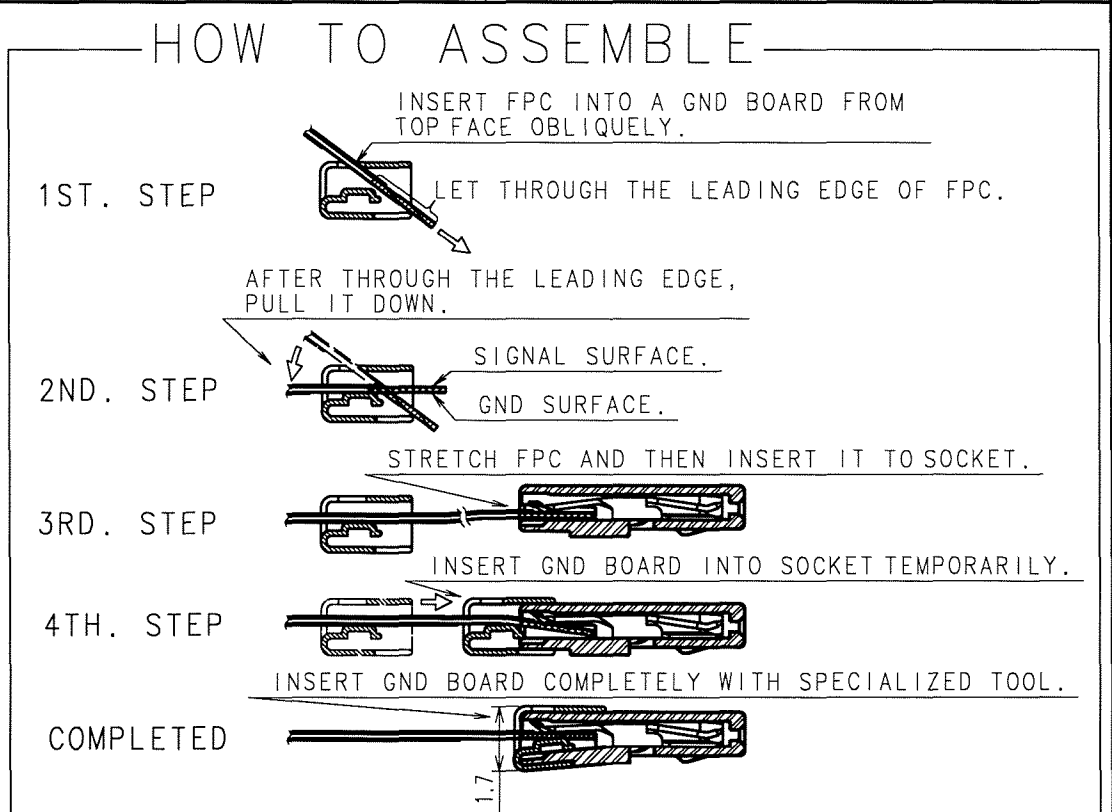
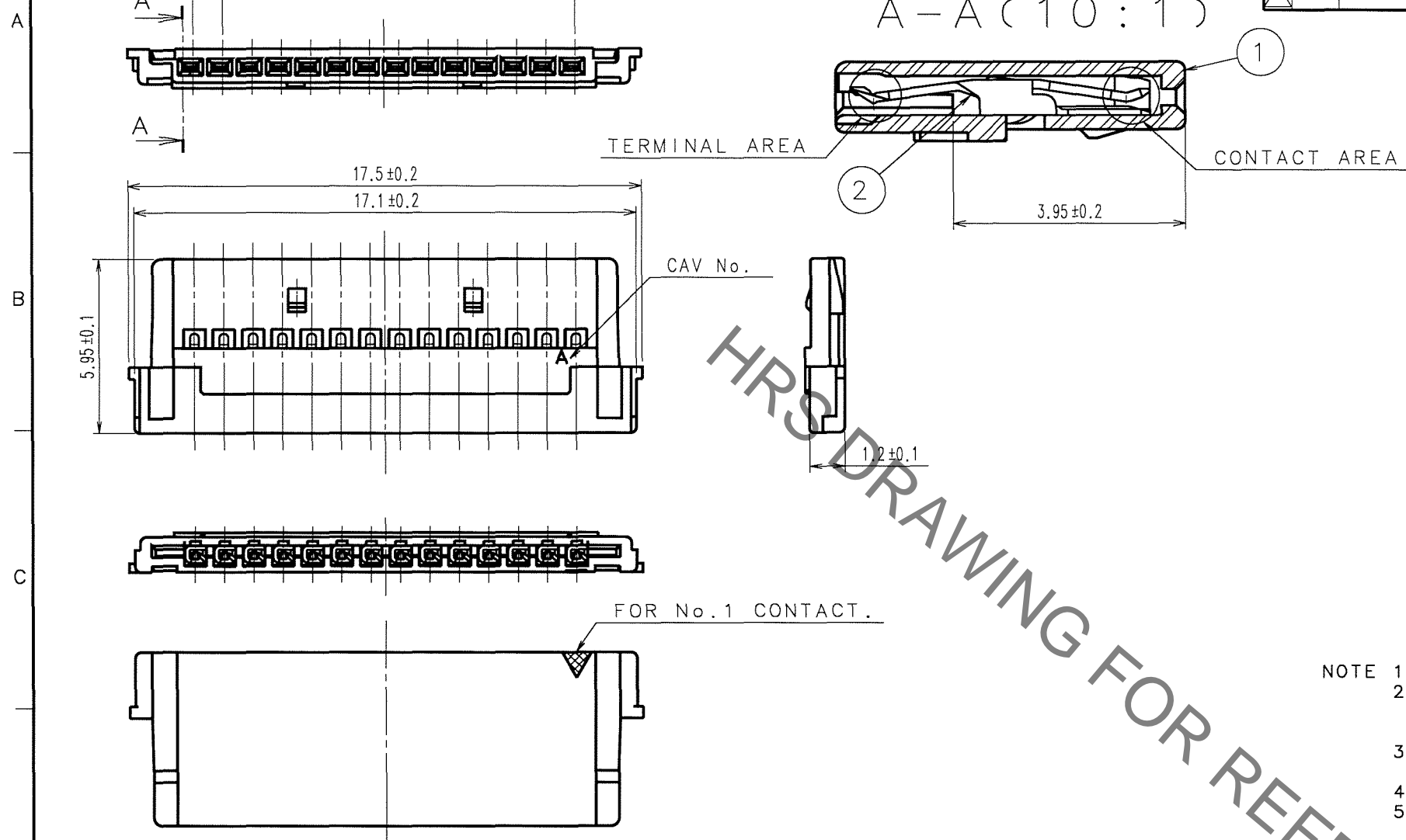
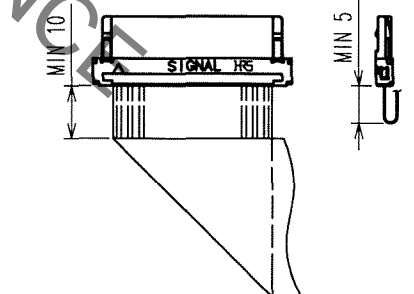


Sep.1.2020 Copyright 2020 HIROSE ELECTRIC CO., LTD. All Rights Reserved.  
In case of consideration for using Automotive equipment / device which demand high reliability, kindly contact our sales window correspondents.

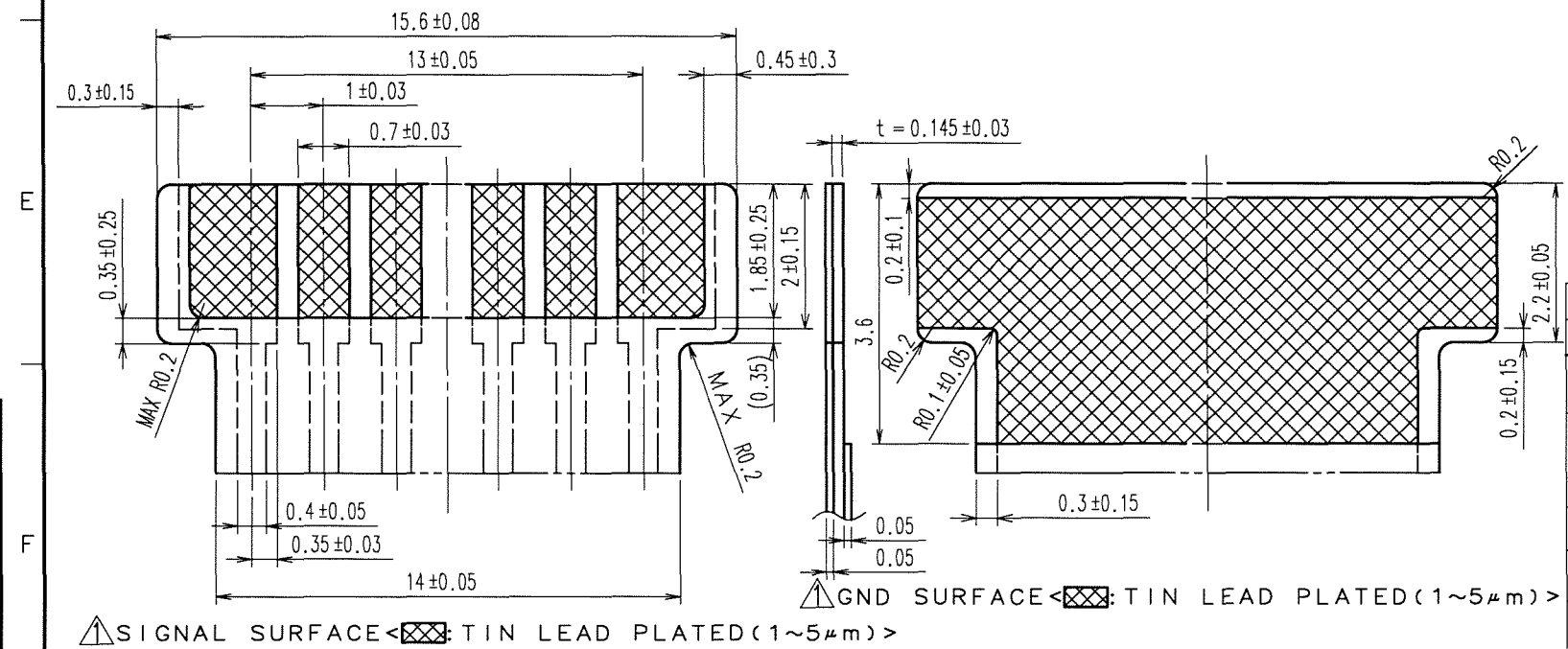
COUNT	DESCRIPTION OF REVISIONS	BY	CHKD	DATE	COUNT	DESCRIPTION OF REVISIONS	BY	CHKD	DATE
2	DIS-H-000773	I-D	H.U	06.02.09					



- NOTE 1: TRAY PACKAGING. (100 PCS)  
 2: GND BOARD AND SOCKET, EACH SHOULD BE TREATED AS A INDIVIDUAL PRODUCT, AND BE SUPPLIED INDIVIDUALLY. (GND BOARD:DF19G-14S-1F-GND(05)/CL685-0018-5-05)  
 3: IF IT'S NEEDED TO CONNECT SIGNAL SURFACE AND GND, IT MUST BE DONE BY THROUGH HOLE ON FPC.  
 4: USE SPECIALIZED TOOL TO ASSEMBLE FPC.  
 5: INSERTION AND WITHDRAWAL OF CONNECTOR SHALL BE MADE PERPENDICULAR TO MATING SURFACE.  
 6: THIS PRODUCT IS NOT INTENDED TO HAVE ANY STRAIN ON THE CONDUCTORS IN SUCH INSTANCE AS CLOSE-OPEN MOTION OF NOTEBOOK COMPUTER.  
 7: BEND RADIUS OF FPC SHALL BE AS SPECIFIED BY THE FPC MANUFACTURER. BENDING POSITION TO BE AS SHOWN BELOW.



### RECOMMENDED PATTERNS OF FPC(10:1)



1	POLYAMIDE	UL94V-0, NATURAL(BEIGE)	2	PHOSPHOR BRONZE	CONTACT AREA: GOLD PLATED 0.1µm min
NO.	MATERIAL	FINISH, REMARKS	NO.	MATERIAL	TERMINAL AREA: TIN PLATED 1µm min
CODE NO.(OLD)					UNDER PLATED: NICKEL PLATED 0.5µm min
		DRAWN	DESIGNED	CHECKED	APPROVED
		A.Miyazaki	I.Denpouya	H.Umehara	T.Oma
		06.01.25	06.01.30	06.01.30	06.01.30
DRAWING NO. EDC3-162745-02			PART NO. DF19G-14S-1F(05)		
SCALE 5:1			CODE NO. CL685-0017-2-05		
UNITS mm			1/1		

TO