

PLEASE CHECK WWW.MOLEX.COM FOR LATEST PART INFORMATION

Part Number: **5022501791**
Status: **Active**
Overview: FFC-FPC (SMT)
Description: 0.30mm Pitch Easy-On™ BackFlip™ Type FPC Connector, Right Angle, Surface Mount, Dual Contact Style, 0.90mm Mated Height, 17 Circuits

Documents:

[3D Model](#) [Packaging Specification SPK-502250-001-001 \(PDF\)](#)
[Drawing \(PDF\)](#) [RoHS Certificate of Compliance \(PDF\)](#)
[Product Specification PS-502250-001-001 \(PDF\)](#)

General

Product Family FFC/FPC Connectors
Series [502250](#)
Overview FFC-FPC (SMT)
Product Name Easy-On™
UPC 883906423360

Physical

Circuits (Loaded) 17
Color - Resin Black, Natural
Contact Position Dual
Durability (mating cycles max) 10
Entry Angle 90° Angle
Mated Height 0.90mm
Material - Metal Copper-Nickel-Tin
Material - Plating Mating Gold
Material - Plating Termination Gold
Net Weight 42.334/mg
Number of Rows 1
Orientation Right Angle
PCB Locator No
PCB Retention Yes
Packaging Type Embossed Tape on Reel
Pitch - Mating Interface 0.30mm
Polarized to PCB Yes
Stackable No
Temperature Range - Operating -40°C to +105°C
Termination Interface: Style Surface Mount
Wire/Cable Type FPC only

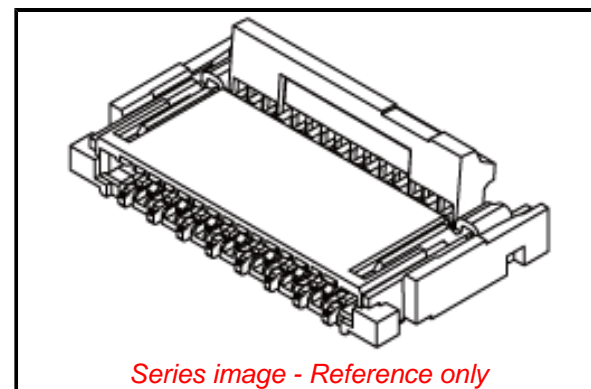
Electrical

Current - Maximum per Contact 0.2A
Voltage - Maximum 50V AC (RMS)/DC

Material Info

Reference - Drawing Numbers

Packaging Specification SPK-502250-001-001
Product Specification PS-502250-001-001
Sales Drawing 5022500000-000, 5022501000-000



Series image - Reference only

EU ELV

Not Relevant

EU RoHS

Compliant

REACH SVHC

Not Contained Per -
ED/30/2017 (7 July
2017)

Halogen-Free

Status

Not Low-Halogen

**Need more information on product
environmental compliance?**

Email productcompliance@molex.com
Please visit the [Contact Us](#) section for any
non-product compliance questions.

China ROHS

ELV

RoHS Phthalates

Green Image

Not Relevant

Not Contained

Search Parts in this Series

[502250](#) Series

Mouser Electronics

Authorized Distributor

Click to View Pricing, Inventory, Delivery & Lifecycle Information:

[Molex:](#)

[502250-1791](#)