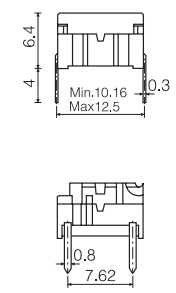
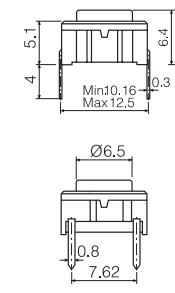
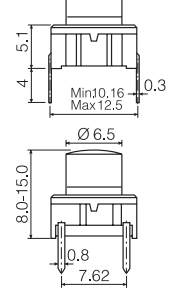
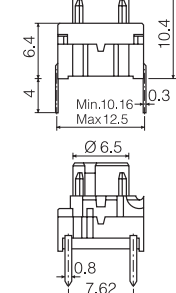
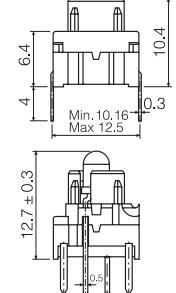
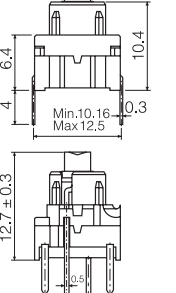
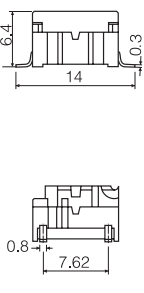
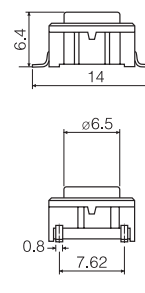
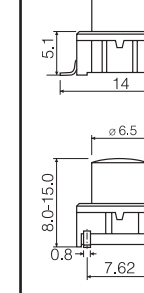
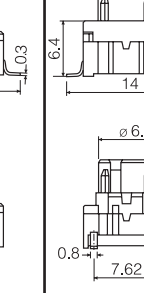
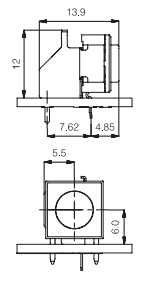
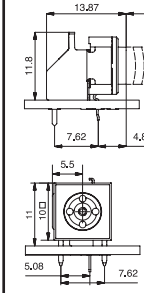
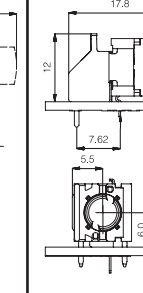
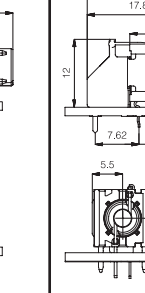
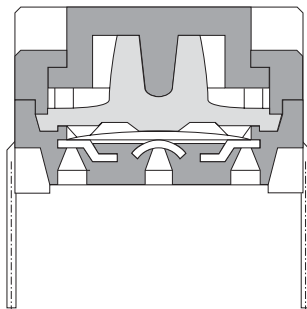


| Through-hole Versions | | | | | |
|--|---|---|---|---|---|
| 3A | 3C | 3E | 3F | | |
| For: 1A/1B/1M/1ZA/1ZB | | For: 3E actuators/ Varimec | For:1D/1GA/1GC/1K/ 1N/1P/1S/1T/1U/1V/ 1WA/1WD/1WP/ 1X/ 1ZC | w/LED for 1D/1E/1F/ 1N/1Q/1R/1S/1X | w/LED for 1K/1KB/ 1KC/1T/1U/1V/ 1WA/1WD/1WP |
|  |  |  |  |  |  |
| Standard Version | | | | | |
| 3ATL6 3ATH9 | 3CTL6/3CTL9 3CTH9 | 3ETLXX-H* 3ETHXX-H* | 3FTL6 3FTH9 | 3FTL600/20/40/60/ 80/2040/8020/8040 | 3FTL623/45/88 |
| * 3E available in 6 standard heights: 08.0, 09.5, 10.4, 11.0, 12.0, 15.0 mm. Other heights between 08.0 and 15.0 are available upon request. | | | | | |
| Specials: Gold contacts, quiet version and actuation force other than 3.0N | | | | | |

| Surface Mount Versions | | | | Right Angle Versions | | | |
|--|---|---|---|---|--|---|---|
| 3A | 3C | 3E | 3F | 3C | 3E | 3F | 3F w/LED |
| For: 1A/1B/1M/1ZA/ 1ZB | | For: 3E actuators/ Varimec | For: 1D/1K/1N/ 1P/1S/1T/1U/ 1V/1WA/1WD/ 1WP/1X/1ZC/ 1GA/1GC | | For: 3E actuators/ Varimec | For: 1D/1K/1N/ 1P/1S/1T/1U/ 1V/1WA/1WD/ 1WP/1X/1ZC/ 1GA/1GC | For: 1D/1E/1F/ 1N/1Q/1R/1S |
|  |  |  |  |  |  |  |  |
| Standard Versions | | | | Standard Versions | | | |
| 3ASH9 3ASH9R | 3CSH9 3CSH9R | 3ESH9 3ESH9R | 3FSH9 3FSH9R | 3CTL6RAS | 3ETXX-X.XRAS | 3FTL6RAS | 3FTL600/20/40/ 60/80/2040/ 8020/8040RAS |

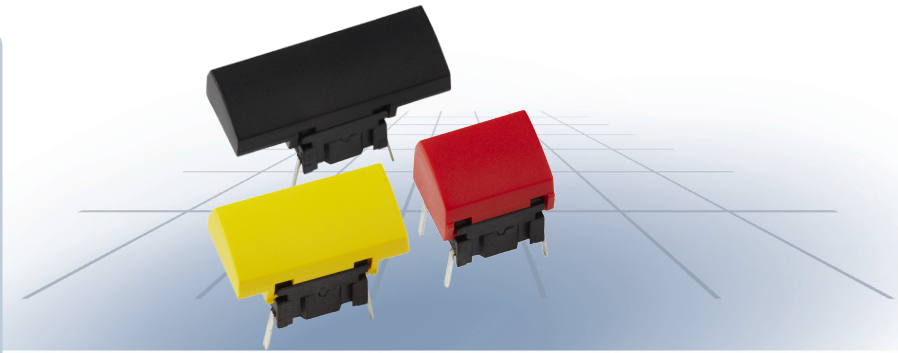
Co-planarity = ≤0.05 DIMENSIONS (mm) Unless otherwise specified, all tolerances ±0.2

multimec® Cross Sections

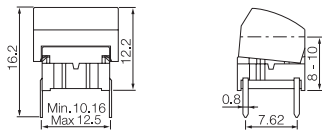


Technical Data

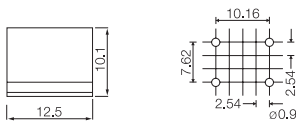
- through-hole or SMD
- 50mA/24VDC
- single pole/momentary
- 10.000.000 operations life time
- IP67 sealing
- temperature range:
 - low temp: -40/+115°C
 - high temp: -40/+160°C



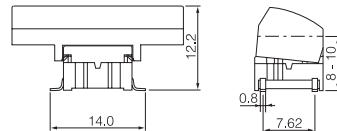
Dimensions (through-hole) 1A



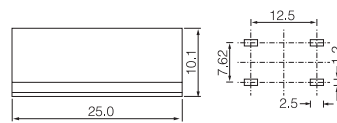
PCB layout



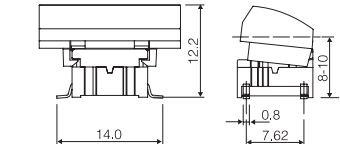
Dimensions (SMD) 1M



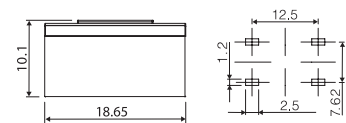
PCB layout



Dimensions (SMD) 1ZA



PCB layout



How to order

3 A

Switch



Mounting

T through-hole
S surface mount



L 6 low temp.
H 9 high temp.

+

1 A

Cap



1 Z A

Cap



00 blue
02 green
03* grey
04 yellow
06* white
08 red
09* black

30* ultra blue
40* dusty blue
42* aqua blue
32 mint green
33 tele grey
34 melon
38 noble red

50* metal dark blue
53* metal light grey
57* metal dark grey
58* metal bordeaux

*) Colours for 1ZA

3 A

Switch



Mounting

T through-hole
S surface mount



L 6 low temp.
H 9 high temp.

+

1 M

Cap

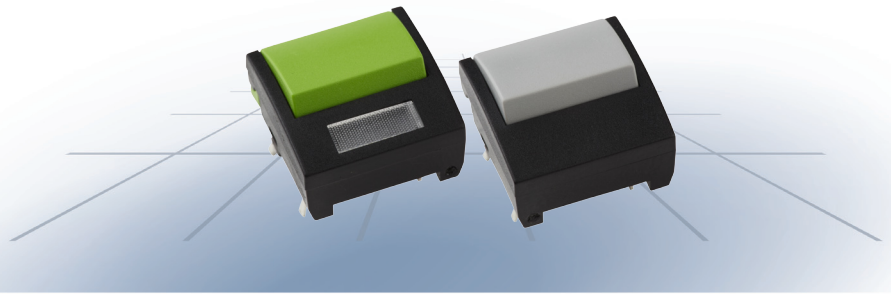


00 blue
02 green
03 grey
04 yellow
06 white
08 red
09 black

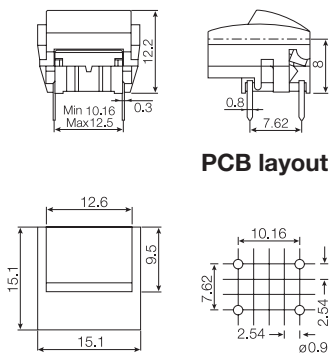
Ordering example: 3ATL6+1ZA40

Technical Data

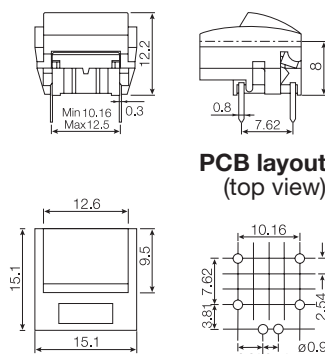
- through-hole or SMD
- 50mA/24VDC
- single pole/momentary
- 10.000.000 operations life time
- IP67 sealing
- temperature range:
 - low temp: -40/+115°C
 - high temp: -40/+160°C



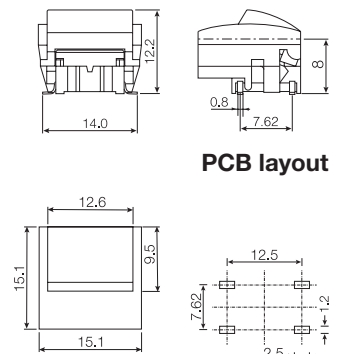
Dimensions (through-hole)





Dimensions w/LED PCB mounted (2D)






Dimensions (SMD)



How to order

| | | | | | | | | | | |
|---------------|--------------------------|--------------------------|---|---|--------------------------|---|---|--------------------------|----------------------------|----------------------------|
| 3 A | <input type="checkbox"/> | <input type="checkbox"/> | + | 1 B | <input type="checkbox"/> | + | 2 C | <input type="checkbox"/> | For 1B and 2C only: | |
| Switch | Mounting | L 6 low temp. | | Cap | 00 blue | | Bezel | 00 blue | 30 ultra blue | 50 metal dark blue |
| | T through-hole | H 9 high temp. | |  | 02 green | |  | 02 green | 40 dusty blue | 53 metal light grey |
| | S surface mount | | | | 03 grey | | | 03 grey | 42 aqua blue | 57 metal dark grey |
| | | | | | 04 yellow | | | 04 yellow | 32 mint green | 58 metal bordeaux |
| | | | | | 06 white | | | 06 white | 33 tele grey | |
| | | | | | 08 red | | | 08 red | 34 melon | |
| | | | | | 09 black | | | 09 black | 38 noble red | |

| | | | | | | | | | |
|---------------|--------------------------|--------------------------|---|---|--------------------------|---|---|---|--------------------------|
| 3 A | <input type="checkbox"/> | <input type="checkbox"/> | + | 1 B | <input type="checkbox"/> | + | 2 D | <input type="checkbox"/> | <input type="checkbox"/> |
| Switch | Mounting | L 6 low temp. | | Cap | 00 blue | | Bezel | 00 blue | Lens |
| | T through-hole | H 9 high temp. | |  | 02 green | |  | 02 green | 1 transparent |
| | S surface mount | | | | 03 grey | | | 03 grey | 2 green |
| | | | | | 04 yellow | | | 04 yellow | 4 yellow |
| | | | | | 06 white | | | 06 white | 6 frosted white |
| | | | | | 08 red | | | 08 red | 8 red |
| | | | | | 09 black | | | 09 black | |
| | | | | | | | + | 2 D X X X | |
| | | | | | | | | LED for 2B bezel | 20 green |
| | | | | | | | |  | 40 yellow |
| | | | | | | | | | 80 red |

Ordering example: 3ATL6+1B02+2D091

Mouser Electronics

Authorized Distributor

Click to View Pricing, Inventory, Delivery & Lifecycle Information:

[Apem:](#)

[3ATL6](#) [3ATL680](#) [3ATL6Q](#) [3ASH9](#) [3ATH9](#) [3ATL640](#) [3ATL620](#) [3ATL600](#) [3ATH9Q](#) [3ASH9R](#) [3ATL680Q](#)