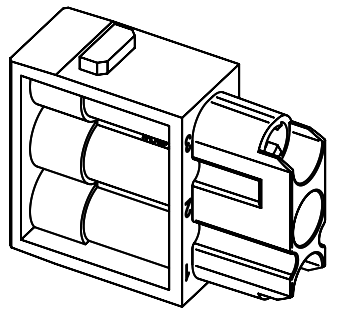


Wire diameter over insulation $\leq 4,8\text{mm}$ stripping length 9,5mm
 $> 4,8\text{mm}$ stripping length 12mm
 For wires with maximum wire diameter over insulation up to 7,8 mm



	All Dimensions in mm Original Size DIN A4	Scale 1:1		Free size tol.		Ref.	
						Sub.	
	All rights reserved Department EL PD - DE	Created by HELLMANN	Inspected by NICHTERLEIN	Standardisation SCHMIDTM	Date 2018-04-27	State Final Release	
		Title Han C module, crimp female					Doc-Key / ECM-Nr. 100086338/UGD/012/F 500000134561
HARTING Electric GmbH & Co. KG D-32339 Espelkamp		Type TB	Number 09 14 003 3102			Rev. F	Page 1/1

Mouser Electronics

Authorized Distributor

Click to View Pricing, Inventory, Delivery & Lifecycle Information:

[HARTING:](#)

[09140033102](#)