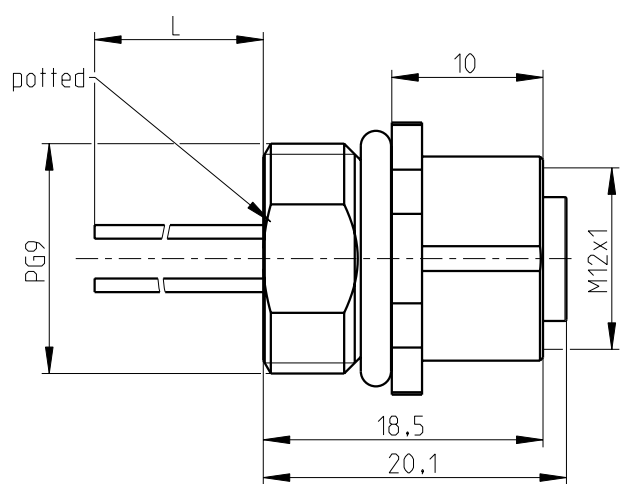
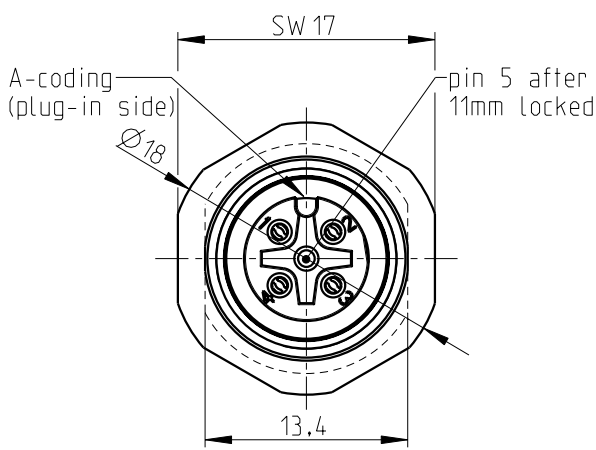


The copying, distribution and utilization of this document as well as the communication of the contents to others without expressed authorization is prohibited according to §18 UWG German Law. Offenders will be held liable for the payment of damages according to §19 UWG German Law. All rights reserved, in particular the right to carry out patent, utility model or ornamental design registrations.

Weitergabe sowie Vervielfältigung dieses Dokuments, Verwertung und Mitteilung seines Inhalts gem §18 UWG verboten, soweit nicht ausdrücklich gestattet. Zuwiderhandlungen verpflichten zu Schadensersatz (§19 UWG). Alle Rechte vorbehalten, insbesondere das Recht, Patent-, Gebrauchsmuster- oder Geschmacksmusteranmeldungen durchzuführen. CONINVERS GmbH Heisenbergstrasse 1 D-71083 Herrenberg

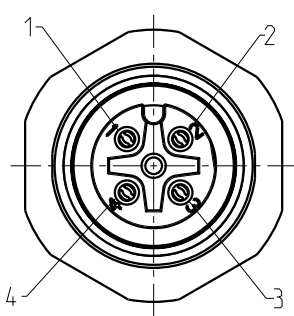
Mechanical data (according to IEC 61076-2-101)		Material	
no. of poles / coding	4 / A	housing / surface	GD-Zn / Ni
contact termination	crimp / socket	contact carrier colour	PA 66 / UL 94 V0 black
contact-Ø	1mm	wire	TPE
temperature range	-40 °C / +85 °C	cross section	0,34mm <sup>2</sup>
protection class	IP 67	contacts / surface	CuZn / Au
mating cycles	>100	sealing gasket	FKM
locking system	M12 STANDARD	potting	PU 2k / UL 94 V0

further information:  
 - see technical data M12-1  
 - see installation recommendation PG9 design E



All specified data refers to the mounted M12 installation plugs ≥ IP54 and requires that the connector pair be correctly plugged and locked. Influences from wires, labels or PCB mounting are also to be taken into consideration.

View of pin assignment  
Plug-in side



Pin layout

pin	colour
1	brown
2	white
3	blue
4	black

order-no.	L (m)
1693788	0,5
1503276	1,0
1406413	2,0
1567694	4,0

general tolerance acc. to DIN ISO 2768-c		technical changes reserved		Index 2 / 2012-06-05		scale: 2:1	
design	date	description:		Housing with crimp contacts Front mounting (PG9)		page: 1 of: 1	
chk.	name						
		drawing-no.:	BA-L15RAC0BX,XX (X,XX=L)		doc.-no.:	00665103	
		order-no.:	see chart				
		article designation:	SACC-E-M12FS-4CON-PG9/L (see chart)				